

SPECIAL INSERT: UNDERSTANDING VIDEO SIGNALS!

APRIL 1994

Electronics

NOW

48783

Combined with
Electronics

THE NEW AGE OF SATELLITE TV



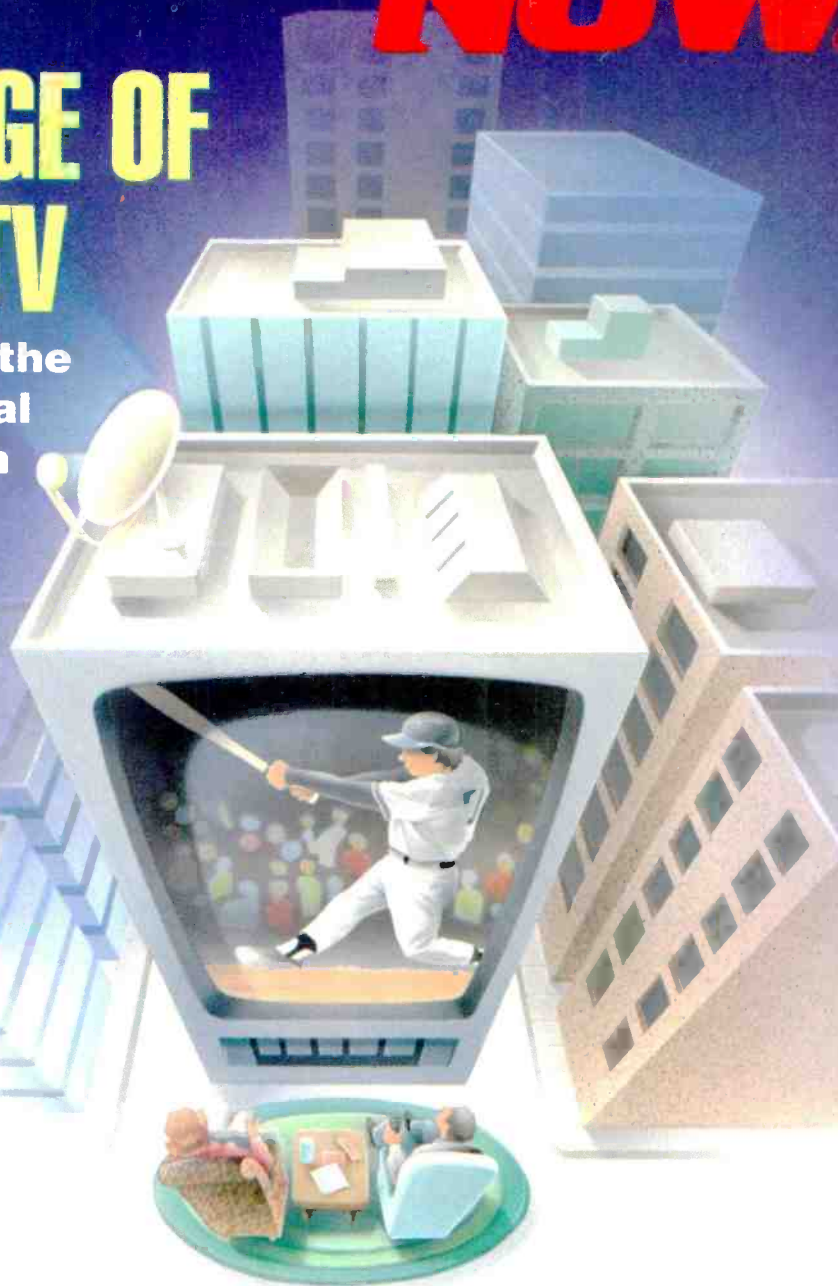
A look at the
new digital
small-dish
satellite
system

Build a
Solid-State Disk Drive
for your computer

Build the
**Audio Wizard
Function Generator**
for testing and troubleshooting
audio equipment

Build a PC-Based
RF Signal Generator
for your test bench

Transistor-Based
Audio Power Amplifier
circuit cook book



\$3.50 U.S.
\$3.95 CAN.

A
GERNSBACK
PUBLICATION



04

The Fluke 79: More Of A Good Thing

More high-performance features. More advanced measurement capabilities. More of the vital information you need to troubleshoot even the toughest problems — with both analog and digital displays.

Meet the latest, greatest member of our best selling 70 Series II family — the new Fluke 79 digital multimeter.

It picks up where the original family left off. In fact, it's a quantum leap forward — in performance, value and affordability.

It's got the features you'd expect from Fluke. Including high resolution. Fast autoranging. Patented, automatic Touch Hold®. A quick continuity beeper. Diode test. Automatic self-test. Battery-conserving sleep mode. And it's just as rugged and reliable as the rest of the 70 Series II family. Easy to operate, too — with one hand.

And thanks to the Fluke 79's proprietary new integrated circuit technology, that's only the beginning. When it comes to zeroing in on tough electrical problems, the Fluke 79 leaves the competition behind:

Hz

Frequency: The Fluke 79's built-in frequency counter lets you measure from below 1 Hz to over 20 kHz. And while you view frequency on the digital display, the analog bar graph shows you AC voltage. So you can see if potentially hazardous voltage is present.



Fast 63-segment analog bar graph: The Fluke 79's bargraph moves as fast as the eye can see, updating at a rate of 40 times per second to simulate the functionality of an analog needle. You get the high speed and high resolution you need to detect peaking, nulling and trending.



Capacitance: No need to carry a separate dedicated capacitance tester; the Fluke 79 measures capacitance from 10 pF to 9999 µF.



Actual Size

40Ω

Lo-Ohms range: Our proprietary Lo-Ohms function lets you measure resistance as low as 0.01 ohms. High noise rejection and a test lead Zero Calibration function make the Fluke 79 ideal for detecting small resistance changes.

SMOOTHING

Smoothing™: Our exclusive new Smoothing mode gives you a stable digital readout for unstable signals — by displaying the running average of eight readings. No more jitter or "digit rattle" due to noisy signals.

Get a good thing going: To put more meter to work for you — at a price that works for you, too — head for your nearest Fluke distributor. For the name of your nearest distributor, or for more product information, call **1-800-87-FLUKE**.



The Fluke 79 comes with a yellow holster and patented Flex-Stand™ — easy to hang from a door or pipe, clip onto a belt or tool kit, or stand at virtually any viewing angle. There's even storage space for test leads.

Fluke 79 Series II

\$199*
4000 Count Digital Display (9999 in Hz, capacitance, and Lo-Ohms)
63-segment Analog Bar Graph
0.3% Basic DC Voltage Accuracy
Automatic Touch Hold
Diode Test, Audible Continuity Beeper
Autoranging, Manual Ranging
Holster with Flex-Stand
Frequency Counter to over 20 kHz
Capacitance, 10 pF to 9999 µF
Lo-Ohms Range with Zero Calibration
Smoothing
700 Hours Battery Life (alkaline)
3-Year Warranty

* Suggested U.S. list price

Fluke Corporation P.O. Box 9090, M/S 250E Everett, WA 98206. ©Copyright 1993. Prices and specifications subject to change without notice. Ad No. 00512

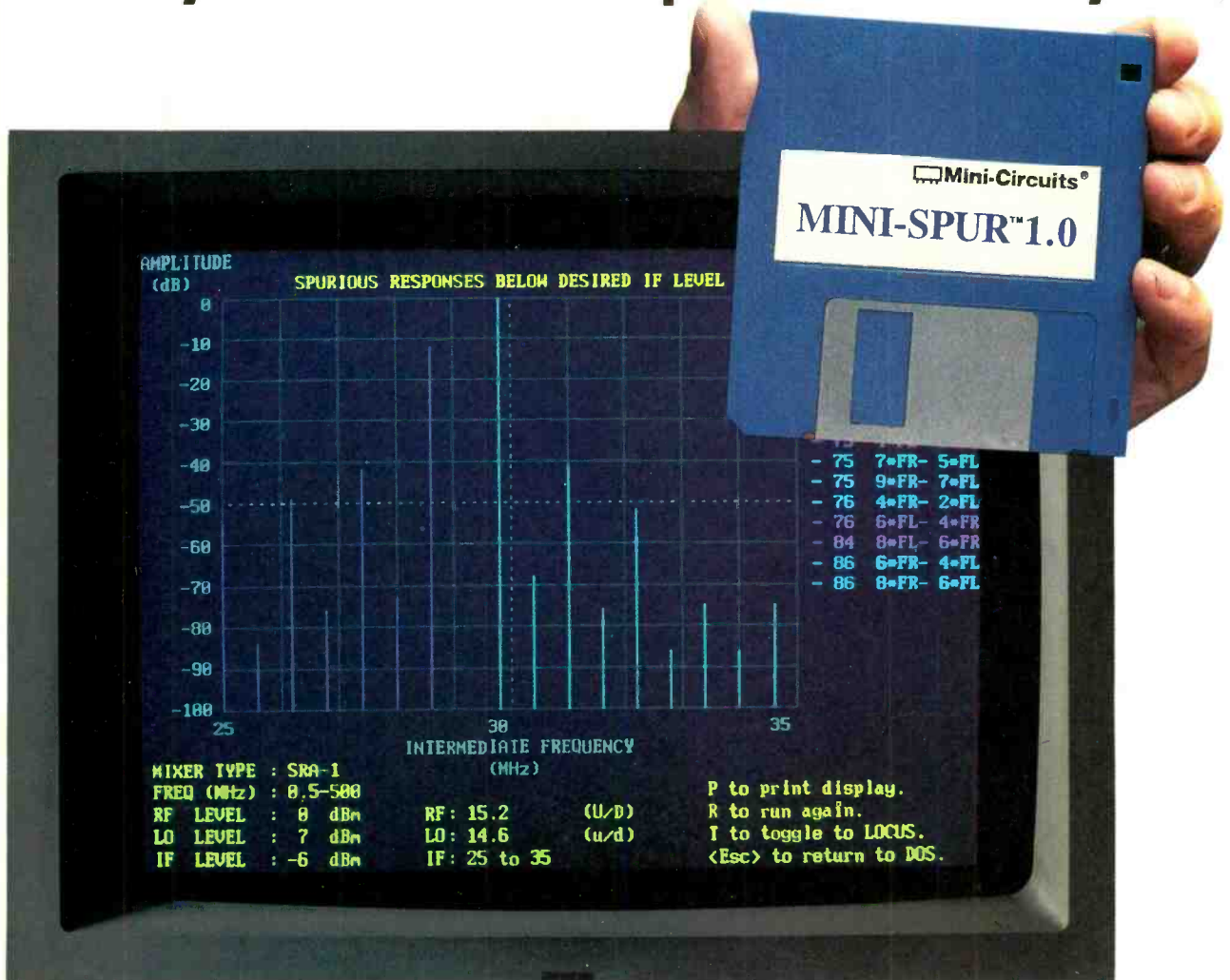
FLUKE®

CIRCLE 121 ON FREE INFORMATION CARD

www.americanradiohistory.com

Mini-Spur™ 1.0

turns your PC into a Spectrum Analyzer



Spot Spurious Signals Easily...
choose the best mixer for your design problems

\$49⁹⁵



Free... 740 page RF/IF
Designer's Handbook with
purchase of Mini-Spur® program
place order as *Designer's Special, DS-1* finding new ways
setting higher standards

Introducing Mini-Spur™, the software simulation program for analysis of system spurious responses. Using actual data on Mini-Circuits mixers, spurious signal levels are calculated and then displayed.

Operation is simple. The user defines the input frequency and power level, the program then graphically displays the various outputs including all the spurs (up to $10 \times LO \pm 10 \times RF$) falling within the user-defined IF filter bandwidth. As the user tunes the frequency, the output spectrum scrolls across the screen just like that of a sophisticated spectrum analyzer.

Required hardware; IBM AT or compatible with 640k memory, and EGA or VGA display. Optional, dot matrix, laser printer or plotter.
So maximize design efficiency... use Mini-Spur™ only from Mini-Circuits.

Mini-Circuits®

WE ACCEPT AMERICAN EXPRESS AND VISA

P.O. Box 350166 Brooklyn, New York 11235-0003 (718) 934-4500 Fax (718) 332-4661

Distribution Centers NORTH AMERICA 800-654-7949 • 417-335-5935 Fax 417-335-5945 EUROPE 44-252-835094 Fax 44-252-837010

For detailed specs on all Mini-Circuits products refer to • THOMAS REGISTER Vol. 23 • MICROWAVES PRODUCT DIRECTORY • EEM • MINI-CIRCUITS' 740-pg HANDBOOK. 1

CUSTOM PRODUCT NEEDS... Let Our Experience Work For You.

F167 REV. A

CIRCLE 184 ON FREE INFORMATION CARD
www.americanradiohistory.com

Notice any difference between these two DC power sources?



Your budget sure will!

B&K-PRECISION power supplies cost less than other power supplies you may be used to buying, but to your circuits they look identical. Your circuit will see only the same pure, clean DC power that comes from the high-priced lines. You'll see the savings.

B&K-PRECISION builds DC power supplies for most bench applications requiring up to 10 amps. All are fully regulated with excellent ripple and noise characteristics. Some models feature digital metering, multiple outputs, tracking and constant current operation.

Start saving cash on your next power supply purchase. Compare features, performance and price and you'll choose B&K-PRECISION. For a free Power Supply Selection Guide or immediate delivery, contact your local distributor or B&K-PRECISION.



Front row left to right: Model 1660 Triple Output \$649,
 Model 1610 0-30VDC, 1A \$229,
 Model 1630 0-30V, 3A \$315, Model 1635 0-30V, 3A \$380.
 Back row top: Model 1651 Triple Output \$429;
NEW Model 1686 3-15V, 12A \$199.

CIRCLE 77 ON FREE INFORMATION CARD
www.americanradiohistory.com



BK PRECISION
 MAXTEC INTERNATIONAL CORP.

Domestic and International Sales
 6470 W. Cortland St., Chicago, IL 60635
 312-889-1448 • FAX: 312-794-9740

ON THE COVER



Nothing on TV? Not for long! Thomson Consumer Electronics' Digital Satellite System could bring to the masses the picture and sound quality that previously could be achieved only by installing an 8- to 12-foot dish antenna. DSS requires only an 18-inch dish and a set-top integrated receiver/decoder. Two high-powered satellites will deliver up to 150 channels of programming, including such services as HBO, Cinemax, CNN, ESPN, and the Disney Channel, as well as pay-per-view movies and live sports and concert events. To find out how DSS could change the way you view TV, turn to page 33.

COMING NEXT MONTH

THE MAY ISSUE GOES ON SALE APRIL 5.

DESIGNING WITH PROGRAMMABLE LOGIC
A look at the advantages of PLD's.

BUILD A LOW-COST PLD PROGRAMMER
Get started using programmable devices today!

BUILD AN AM POWER LOOP ANTENNA
Pull in stations you never dreamed possible.

As a service to readers, ELECTRONICS NOW publishes available plans or information relating to newsworthy products, techniques and scientific and technological developments. Because of possible variances in the quality and condition of materials and workmanship used by readers, ELECTRONICS NOW disclaims any responsibility for the safe and proper functioning of reader-built projects based upon or from plans or information published in this magazine.

Since some of the equipment and circuitry described in ELECTRONICS NOW may relate to or be covered by U.S. patents, ELECTRONICS NOW disclaims any liability for the infringement of such patents by the making, using, or selling of any such equipment or circuitry, and suggests that anyone interested in such projects consult a patent attorney.

ELECTRONICS NOW, (ISSN 1067-9294) April 1994. Published monthly by Gernsback Publications, Inc., 500-B Bi-County Boulevard, Farmingdale, NY 11735. Second-Class Postage paid at Farmingdale, NY and additional mailing offices. Canada Post IPM Agreement No. 334103, authorized at Mississauga, Canada. One-year subscription rate U.S.A. and possessions \$19.97, Canada \$27.79 (includes G.S.T. Canadian Goods and Services Tax, Registration No. R125166280), all other countries \$28.97. All subscription orders payable in U.S.A. funds only, via international postal money order or check drawn on a U.S.A. bank. Single copies \$3.50. © 1994 by Gernsback Publications, Inc. All rights reserved. Printed in U.S.A.

POSTMASTER: Please send address changes to ELECTRONICS NOW, Subscription Dept., Box 55115, Boulder, CO 80321-5115.

A stamped self-addressed envelope must accompany all submitted manuscripts and/or artwork or photographs if their return is desired should they be rejected. We disclaim any responsibility for the loss or damage of manuscripts and/or artwork or photographs while in our possession or otherwise.

Electronics NOW®

Hugo Gernsback (1884-1967) founder

Larry Steckler, EHF, CET,
editor-in-chief and publisher

EDITORIAL DEPARTMENT

Brian C. Fenton, editor
Marc Spiwak, associate editor
Neil Sciater, associate editor
Teri Scaduto, assistant editor
Jeffrey K. Holtzman
computer editor
Robert Grossblatt, circuits editor
Larry Klein, audio editor
David Lachenbruch
contributing editor
Don Lancaster
contributing editor
Evelyn Rose, editorial assistant

ART DEPARTMENT

Andre Duzant, art director
Injae Lee, illustrator
Russell C. Truelson, illustrator

PRODUCTION DEPARTMENT

Ruby M. Yee, production director
Karen S. Brown
advertising production
Kathryn R. Campbell
production assistant

CIRCULATION DEPARTMENT

Jacqueline P. Cheeseboro
circulation director
Wendy Alanko
circulation analyst
Theresa Lombardo
circulation assistant
Michele Torriello
reprint bookstore

Typography by Mates Graphics
Cover by Loewy Design. Illustration by
John Edwards

Electronics Now is indexed in
Applied Science & Technology Index,
and Readers Guide to Periodical Literature,
Academic Abstracts, and
Magazine Article Summaries.
Microfilm & microfiche editions are
available. Contact circulation department
for details.

**Advertising Sales Offices listed
on page 98.**

Electronics Now Executive and
Administrative Offices
1-516-293-3000.

Subscriber Customer Service:
1-800-288-0652.

Order Entry for New Subscribers:
1-800-999-7139.



Audit Bureau
of Circulations
Member



Setting New Standards

IN THE WORLD OF

Communications, Test & Surveillance

Further • Better • Faster



Model 3000A \$329.
World's most highly advanced hand held counter.

- Digital Filter: Reduces false counts - no loss of sensitivity
- Digital Auto Capture - auto hold & store; works even near strong RF fields
- Stores and recalls frequencies
- 5-6 hour battery operation
- Fast - 250 million counts per second for high resolution - 250 MHz direct count
- 10 Hz to 3 GHz
- Ultra sensitive bargraph w/ 16 segment display
- Multi-Function Counter with Frequency, Period, Ratio and Time Interval
- Optional $\pm .2$ PPM TCXO - \$100.

Model M1 \$229.
Full Range Pocket Sized Counter

- Digital Filter
- Digital Auto Capture - Auto Hold
- Stores & Recalls Frequencies
- 4-5 hr. battery operation
- 10 Hz to 2.8 GHz
- 10 digit LCD with EL backlight

Model 8040 \$679.

Multi-Function Bench/Portable Counter
Measures Frequency, Period, Ratio, Time Interval and Average.

- Digital Filtering to eliminate false counts
- Auto Capture/Auto Hold
- 16 Segment Signal Strength Bargraph
- Dual 50 OHm and 1 Meg OHm input amplifiers with AC/DC Coupling, \pm Polarity, Triggers Level Adj., Low Pass Filter and Attenuator
- .05PPM, 0-50°C Oversized Time Base Option
- Internal/External Clock Input
- RS-232 Serial Computer Interface

8 0 0 • 3 2 7 • 5 9 1 2

(305) 771-2050 • FAX (305) 771-2052 • 5821 NE 14th Ave. Ft. Lauderdale FL 33334
CIRCLE 181 ON FREE INFORMATION CARD

WHAT'S NEWS

A review of the latest happenings in electronics.

Bipolar lithium battery doubles laptop computer operating time

The first practical bipolar lithium-ion battery suitable for powering laptop computers and other portable electronic products has been announced by Yardney Technical Products Inc., Pawcatuck, CT. Yardney says its electrochemical system offers better performance and longer life than conventional nickel-cadmium and monopolar lithium rechargeable batteries.

The company reports that its bipolar lithium-ion battery will power a typical laptop computer for six-to-eight hours per charge. This compares with the three-to-four hour limit expected of nickel-cadmium batteries.

The Yardney battery has a microporous separator between thin positive and negative electrodes in a multicell assembly that the company says provides short current paths through the stack rather than across the surface of each electrode. This, it claims, minimizes resistance losses along or across electrodes. Self-heating, a response that can limit useful life in monopolar lithium-ion cells is said to be reduced.

NESDA Challenges U.S. Copyright Act

The National Electronics Service Dealers Association (NESDA) has come to the aid of Peak Computer Corporation in its legal battle with MAI Systems Inc.

NESDA and its associated organizations filed a friend-of-the-court brief in Washington DC last November on behalf of Peak which has been sued by MAI Systems for alleged violations of the U.S. Copyright Act.

MAI says the software which operates its computers is licensed only to the owners of those computers, and only licensed owners should be allowed to turn them on.

PERFORMANCE CHARACTERISTICS OF RECHARGEABLE BATTERIES

Characteristics	Lead-Acid	Nickel-Cadmium	Nickel-Metal Hydride	Yardney Lithium-Ion Monopolar	Yardney Lithium-Ion Bipolar
Cell Voltage	2.0	1.2	1.2	3.6	3.6
Energy Density (Wh/L)	85	90	120	200	250
Specific Energy (Wh/Kg)	30	40	60	100	120
Cycle Life	<500	>500	>500	>1200	>1200
Self Discharge (%/mo)	<5	<30	<45	<2	<2
Power Density (W/L)	G	E	A	A	E
Specific Power (W/Kg)	G	E	A	A	E

Key: A=Average G=Good E=Excellent

Its suit charges that Peak and other service companies are breaking the law by turning on the computers for service.

Two lower courts agreed with MAI that by turning on a computer a "copy" of the operating program is made in the computer's RAM. This, MAI says, violates Sec. 117 of the U.S. Copyright Act.

NESDA believes that if the ruling is allowed to stand, manufacturers of such products as appliances, audio and video equipment, and heating and air-conditioning controls could claim a similar exclusive right to their "intellectual property." According to NESDA Executive Director Clyde Nabors, "NESDA has no choice but to oppose" the lower court's ruling, which he views as "another of a long string of thinly-veiled attempts by some manufacturers to eliminate competition from independent service [organizations]."

The NESDA brief challenges the ruling on several points of law. In its brief, NESDA referenced a previous Supreme Court ruling that concluded that a market for the service of a product exists after the sale of the product. In effect, the Court said that even if a manufacturer does not monopolize the sale of its product, it can still be charged with illegally trying to monopolize the service of those products.

The NESDA brief, entitled the "Service Industry Signal," is being filed by attorney Ron Katz of the San Francisco office of Coudert Brothers, a New York law firm. To recover the cost of the brief as well as the cost of future "signals" from the service industry, NESDA has requested contributions to the "S.I.S." legal defense fund from concerned service dealers and technicians. The contributions are to be sent to the SIS Fund, c/o NESDA, 2708 West Berry Street, Fort Worth, TX 76109.

Optical filter speeds natural-gas detection

The Gas Research Institute is supporting the development of a natural-gas pipeline monitoring system by Westinghouse Electric Corporation. The work being done at the Westinghouse Science & Technology Center in Pittsburgh. A survey vehicle was fitted with a gas detection system based on an electro-optic crystal filter. The system promises reliable leak detection at speeds five to ten times faster than are possible from existing leak-detection vehicles.

Existing systems are based on a flame-ionization detector that responds to combustible gas in air samples continuously drawn into the vehicle through ground-level in-

Continued on page 84

VIDEO NEWS

What's new in the fast-changing video industry.

DAVID LACHENBRUCH

● **Satellite power.** While the cable and telephone companies talk about the digital superhighway, the first high-powered digital satellite system—projected eventually to offer 150 channels—is preparing for sale of receivers and programming to the general public this spring. (See separate article on page 33 of this issue.)

Receivers and 18-inch dishes—suitable for mounting on window ledges or rooftops—initially will be sold to the public through mass-market dealers including Sears and Circuit City. The Digital Satellite System (DSS) receivers will be offered at \$700 (\$900 for a multi-TV system) along with separately-priced subscription program packages. The Digital Satellite System, using a Hughes satellite, is scheduled to offer 55 channels at the start, increasing to about 150 channels when the second bird is launched by this summer.

Two companies will offer program packages, consisting for the most part of cable programming and video-on-demand movies. DirecTV and U.S. Satellite Broadcasting (USSB) both use the same standards and emanate from the same satellite. It will be the first digital-video program service available to the general public, and it will include what is claimed to be CD-quality audio. Programming will be digitally compressed for transmission and decompressed at the receiver. Initially, RCA will have the exclusive right to sell receivers, but Sony has received a license to become the second source for these receivers when RCA's exclusivity ends.

● **Commercial killer.** The idea of eliminating commercials when taping TV shows has been tried many times with little success. Some efforts have resulted in taping only the commercials and killing the rest of the program. A new system, due on the market shortly, seems to

offer a foolproof way to watch programs and skip the blurbs. The invention by Jerry Iggulden, called "Commercial Free," will first be marketed by Arista Technology as an add-on recording accessory under the name "Commercial Brake" at about \$200, and later the system is expected to be built into some VCRs.

Commercial Free uses sophisticated microprocessor technology. The entire program, commercials and all, is recorded on the tape. The electronic brain in Commercial Free keeps track of commercial "clues"—periods when sound and video are cut off momentarily. It puts invisible and inaudible signals on the tape to denote these clues. When the program has been recorded, the device inspects that program "map" and notes where clusters of regular short intervals are located. On playback, it instructs the recorder when to go into fast-forward, skipping through the commercials. The screen turns a blank blue during those intervals, which reduces the time watching commercials from minutes to mere seconds of fast-forwarding.

● **Index Plus.** Another VCR gadget—this one developed by Gemstar Development, which invented the VCR Plus video-programming system—promises to help you keep track of your tapes. Gemstar currently is showing VCR manufacturers its "Index Plus," which uses program identification material transmitted by TV stations and cable networks under the recently authorized extended data service (EDS) rules. The EDS rules set aside the second field of Line 21 of the vertical blanking interval for various services, including extended closed captions.

Index Plus captures the program identification signals transmitted by the stations during home taping and, upon demand, can display a list

of programs stored on the cassette that is in the recorder. Using a remote control, the viewer can select the desired program and the VCR will fast forward or reverse to that program—no counter or time numbers are required. In addition, the system remembers all the programs recorded using the EDS signal and can display a list of them, identifying which cassette—by index number—contains each listed program.

● **Video-game war.** Almost every week seems to bring a new entry in the TV-based interactive market, still keyed mainly to games. Last year, Nintendo's supremacy was challenged by Sega, which made a significant dent in the cartridge-based game field. Both companies have CD-based games as well. Atari recently introduced the Jaguar cartridge game. More elaborate CD-based systems for games as well as educational and other entertainment uses include CD-I by Philips, which is expected to gain new adherence this year, and 3DO, currently being marketed by Panasonic but with AT&T and Sanyo expected to offer their own versions soon. JVC has introduced a player called "X'Eye," which is compatible with Sega's cartridge and CD-based systems. Other video-game systems are yet to be developed, along with interactive long-distance game systems, to be offered to customers by both cable-TV and telephone companies.

Videogame violence worries Congressmen, who have held hearings on the subject and have urged the industry to set up a voluntary ratings system. At least three groups are proposing different systems, and there was frantic activity at the recent Consumer Electronics Show in Las Vegas to develop a self-rating protocol before the government steps in and legislates a rating system. Ω

KELVIN

ELECTRONICS

10 HUB DRIVE, MELVILLE, NY 11747

RE-ENGINEERED & DESIGNED FOR 1994



150 LE - Student 200 LE - Technician 400 LE - Engineer

Standard Features -

- AC & DC VOLTAGES
- DC CURRENT
- RESISTANCE
- TRANSISTOR
- CONTINUITY TEST - Buzzer
- DIODE TEST
- 3 1/2 Digit LCD
- 10M ohm INPUT IMPEDANCE

BATTERY TEST
TRANSISTOR
DC CURRENT
10 Amp

FREQ COUNTER
up to 20MHz
TRANSISTOR CAPACITANCE
from 1pF to 200uF
AC/DC CURRENT
10 Amp

INDUCTANCE
Resolution 1uH
FREQ COUNTER
up to 20MHz
CAPACITANCE
from 1pF to 200uF
AC/DC CURRENT DUTY %
20 Amp

150 LE
Stock # 990122
\$29.95

200 LE
Stock # 990123
\$49.95

400 LE
Stock # 990124
\$79.95

Designed to meet IEC-348 & UL-1244 safety specifications

2 Year Warranty (Parts & Labor)



"Not only does the Kelvin 94 boast a lot of features... the features go the extra distance."

"If we had to run into a burning building to do some emergency trouble-shooting and could carry in only one piece of equipment, the Kelvin 94 would be it!"

Popular Electronics
Reviewed - May 1993

KELVIN 94 The Ultimate Meter

LCR Hz dBm True RMS Logic Probe

The only meter with 0.1% Accuracy on DC Voltages, built-in True RMS, Freq Counter to 20MHz Res: 10 Hz, LCR-Inductance Tester Res: 10 uH, DC/AC Voltages Res: 0.1mV, Ohm Meter Res: 0.1 ohms

TRUE RMS PLUS 12 INSTRUMENTS IN ONE - AC & DC VOLT METERS, AC & DC CURRENT, dBm, OHMMETER, DIODE TESTER, AUDIBLE CONTINUITY TEST, 20 MHz FREQ COUNTER, CAPACITANCE METER, INDUCTANCE METER, LOGIC PROBE

Model 94
#990111
\$199.95

*See Standard Features Listed below

ENGINE ANALYZER PLUS

Model 95 #990112
\$199.95

A Must For Auto Mechanics

Standard Features - Models 94 & 95

- DC/AC VOLT METERS
- AC/DC CURRENT
- OHM METER
- DATA HOLD
- RELATIVE MODE
- FREQ COUNTER to 4 MHz (Model 95)
- AUDIBLE CONTINUITY TEST
- DIODE TEST
- MAX/MIN AVERAGE MEMORY RECORD
- 10A HIGH-ENERGY FUSE PROTECTION
- AUTO SLEEP & AUTO POWER OFF

Standard Features plus - TEMP, TACHOMETER & DWELL ANGLE TESTER, DUTY CYCLE, 10M OHM IMPEDANCE, ANALOG BAR GRAPH, K-TYPE TEMP PROBE, ALLIGATOR CLIP TEST LEADS, INDUCTIVE PICKUP CLIP, 6' TEST LEADS & DELUXE CARRYING CASE

(800) 645-9212
(516) 756-1750
(516) 756-1763/FAX

Established 1945

M/C & VISA *20 Minimum Order

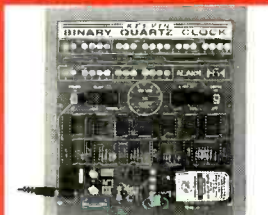
KELVIN CATALOG \$3
Stock No. 650412

DIGITAL TRAINER



Laptop Digital Trainer comes with 100 page instruction manual, power supply, built-in 1 digit true Hexadecimal display, two independent clocks with user adjustable freq & duty cycles, 4 data bit switches and 4 LED displays. Assembled
Stock No. 840460 \$99.95

BINARY QUARTZ CLOCK w/Alarm



ORIGINAL DESIGN - 24 Hr. Binary Quartz Accurate Clock with 2 color LED's. Built-in Alarm and Alarm Display in binary code. DESIGNED FOR LEARNING about digital circuitry & binary code. Built with individual IC components. Battery Memory Loss Prevention. Comes with rechargeable battery, DC wall transformer and detailed instruction manual. Advanced Level Kit
Stock No. 840589 \$79.95

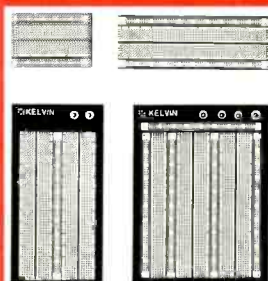
Electronic VOICE PAD



An electronic note pad, able to record your message & replay it later. It has a built-in photo cell & as soon as it senses your presence, it will automatically playback the message left for you. The components are PC mounted. The IC can record a message up to 20 seconds & no mechanical parts or tape - only a digital integrated circuit.

Intermediate Level Kit
Stock No. 840606 \$49.95

BREADBOARDS



Stock No.	Post	Contacts	YOUR COST
680093	0	500	\$ 4.25
680097	0	840	\$ 5.95
680098	2	1380	\$11.75
680100	4	2390	\$26.95

WIRE JUMPER KIT
Pre-cut, Pre-Stripped
330289 140 Piece Set \$ 4.95
330290 350 Piece Set \$ 8.95

COMPONENTS

WHOLESALE PRICES!



Stock No.	TYPE	(10 Pcs. Min.) YOUR COST
600021	555 TIMER	\$.29 ea
600029	556 DUAL TIMER	\$.40 ea
600039	LM566 PPL FUNCTION GENERATOR	\$.60 ea
600018	741C OP-AMP INTERNALLY COMPENSATED	\$.30 ea
600026	1458 OP-AMP DUAL 741C OP-AMP	\$.35 ea
630041	2N2222	\$.20 ea
630383	PN2222	\$.08 ea
600023	7805 Voltage Reg	\$.36 ea
SILICON CONTROLLED RECTIFIER (Similar to GE C106C1) 4.0 amp, 100PIV		
600014		\$.89 ea / \$.79 ea/10+

THERMISTOR - 100 ohm		
110097		\$.135 ea / \$1.00 ea/20+
THERMISTOR - 10K ohm		
110097		\$.135 ea / \$1.00 ea/20+

PROJECT PARTS

Project Speaker
2" - 8 Ohm, 1 Watt
Stock No. 350009
59¢



Project BUZZER
3 - 9 Volt DC, 80 db
Stock No. 680089
\$1.59 ea



Soldering IRON
with STAND
LONG LIFE TIP
Stock No. 990098
\$3.95 ea



LED T 1 3/4
Stock No. Color 100+ Qty 1000+ Qty

260020	RED	\$.05 ea	\$.045 ea
260027	GREEN	\$.08 ea	\$.07 ea
260026	YELLOW	\$.08 ea	\$.07 ea
260078	2 COLOR RED/GREEN	\$.32 ea	\$.29 ea

XENON STROBE TUBE
Stock No. 260050
\$3.25 ea



TRIGGER COIL
for Xenon Strobe Tube
Stock No. 320037
\$1.25 ea



INFRARED LED IR Pair, LED Infrared transmitter and receiver
Stock No. 260061
\$1.95 ea



NEON LAMP
NE2, 2" Lead
Stock No. 260003
\$.15 ea



PHOTO CELL
Photo Cell - 450 ohm
Stock No. 260017
\$.65 ea



PUSH-BUTTON SWITCH
PUSH-ON, PUSH-OFF
Stock No. 270021
\$.55 ea



SUB-MINIATURE MOMENTARY SWITCH
Stock No. 990002
\$.35 ea



MINIATURE TOGGLE SWITCH
Stock No. 270034
\$.90 ea



KELVIN 100 Basic
990087
\$19.95



- AC & DC VOLTAGES
- DC CURRENT
- RESISTANCE
- CONTINUITY TEST - Buzzer
- 3 1/2 Digit LCD
- LOW BATTERY INDICATOR
- DIODE TEST
- BATTERY TEST

CAPACITANCE METER

KELVIN 250 LE
990126
\$59.95



- ACCURACY: 0.5%
- RANGES: 20mF, 2000uF, 200uF, 20uF, 2uF, 200nF, 20nF, 2000pF, 200pF
- Zero Adjust
- Safety Test Leads
- Test Socket for Plug-in Components

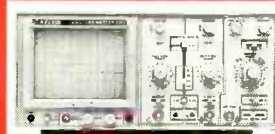
AUTO-RANGE METER

KELVIN 300 LE
990125
\$49.95



- ACV & DCV
- DC CURRENT
- RESISTANCE
- CONTINUITY TEST
- DIODE TEST 3 1/2 Digit LCD
- 10M ohm INPUT IMPEDANCE

INSTRUMENTS



20 MHz SCOPE
Dual Trace 2 Yr Warranty-Parts & Labor
Stock No. 740085 \$385

40 MHz SCOPE 2 Yr Warranty
Dual Trace with Delayed Sweep
Stock No. 740086 \$655

TEST ACCESSORIES

SCOPE PROBES
60 MHz, X1 & X10
SPECIAL

700072 \$18.95
150 MHz, X10
700073 \$39.95



IC CLIPS

SOLDER TYPE SPRING LOADED
Stock No. COLOR COST 25+ Qty

990104 BLACK \$.65 ea. \$.50 ea

990105 RED \$.65 ea. \$.50 ea



DC TOY MOTORS

DC Toy Motor
Stock No. 850647
\$.80 ea



Solar Motor Stock No. 850646
\$.60 ea 1.5V DC
\$.55 ea / 50+ Qty



Solar Cells 3 3/4" L x 2 9/16" W
Stock No. 260099 1000mA .45V
\$5.95 ea
\$ 5.50 ea / 3+ Qty

April 1994, Electronics Now

Q & A

Write to Q & A, Electronics Now, 500-B Bi-County Blvd., Farmingdale, NY 11735

MEMORY CONFUSION

I've been using an IBM-compatible computer for several years and I'm constantly confused about which memory is which. Some programs are designed to use extended memory, some use expanded memory, and recent versions of DOS use high memory. I'd like a clear explanation of exactly what these different memory types are and which is the best to use.—F. Rische, Affneg, NY

The answer to that question can cover a lot of pages, and the fact that you can even ask the question is a result of some very bad decisions on the part of the early DOS designers. It was decided by somebody that 640 kilobytes was the maximum amount of memory that would ever be needed by DOS applications. Whoever made that decision more than ten years ago is responsible for today's problem of fitting size-ten programs in a size-five operating system.

Take a look at the memory map of a typical DOS system in Fig. 1. The map differs for the different microprocessors (8088, 80286, 80386, etc.), but the essential parts are the same. The first 640 kilobytes (640K) of memory is called conventional memory. It has to hold, starting from address 0000, data necessary for both the hardware (the interrupt table) and DOS (device drivers, BIOS or data, and DOS itself). The remaining area up to 640K can be used for programs, TSR (terminate and stay resident) programs, and data.

The memory area from 640K to 1 megabyte is the high RAM area for the storage of such data as the video BIOS, I/O BIOS, and system BIOS data. The exact address ranges assigned in this area depend on the details of each computer.

Memory above 1 megabyte is referred to as extended memory. The first 64K of this area (1024K to

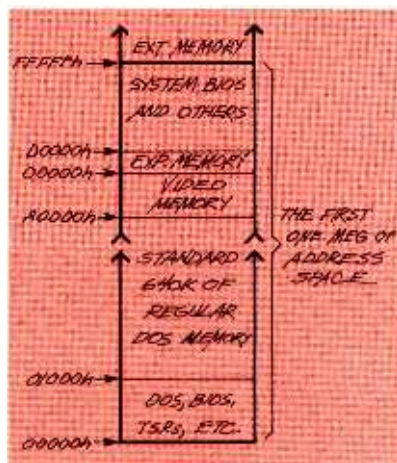


FIG. 1—THE MEMORY MAP of a typical DOS system shows that the first 640K of memory (the conventional memory) has to store the hardware interrupt table, device drivers, BIOS data, DOS itself, and programs.

1088K) is called the high memory. This is where recent versions of MS-DOS have allowed you to relocate most of the DOS code and TSRs such as mouse drivers. This software bandage has eased up the usual memory squeeze, but it's far from an ideal solution. Extended memory is just the linear address range from 1 megabyte to the end of the memory installed in your computer.

The last type of memory, expanded memory, really has nothing to do with DOS because it's not part of the microprocessor's memory map. If you have 1 megabyte of expanded memory, DOS has no direct access to it. To use expanded memory, your computer needs expanded-memory management software that reserves a range of memory in the microprocessor's address map and then swaps pages of expanded memory in and out of that area. Data in expanded memory is therefore available only a page at a time as it's copied to an area in the main memory map. The first heavy-duty user (and the originator) of expanded memory was Lotus. Even ten years ago, the typical business

spreadsheet could easily outgrow the available 640K of memory.

By the way, there's nothing new about expanded memory. Apple was using the same technique for years in the Apple II series to swap two sets of 16K storage for the top of the 6502's memory map.

The answer to which type of memory is best depends on the software. Newer software such as Windows and OS/2 are operating systems that can use all memory in a linear fashion. In other words, you can keep loading data into memory until you run out of installed memory. This is also how the Macintosh operating system works. Programs that run under DOS, however, are always going to be at the mercy of DOS's limitations. Some software publishers produce DOS products that can use extended or expanded memory, but they will always be limited, one way or another, by the ten-year-old 640K barrier.

The real solution to this limit would be a total rewriting of DOS to eliminate the 640K barrier. You can wait for it if you want, but I don't think it will ever happen. One of the most unshakable tenets of Microsoft is the issue of backward compatibility, and producing a DOS that could treat memory as an unrestricted linear array and still handle earlier programs would be a mammoth undertaking.

ELUSIVE READINGS

I'm having a problem at my workbench that I hope you can help me with. The readings I get on my voltmeter and oscilloscope seem to vary from day to day. What makes this so unusual is that the varying readings are coming the same test points in the same circuits. Do you have any idea what could be causing this problem?—D. Hutch, Gale, CA

I'll begin this by giving you the benefit of the doubt regarding the

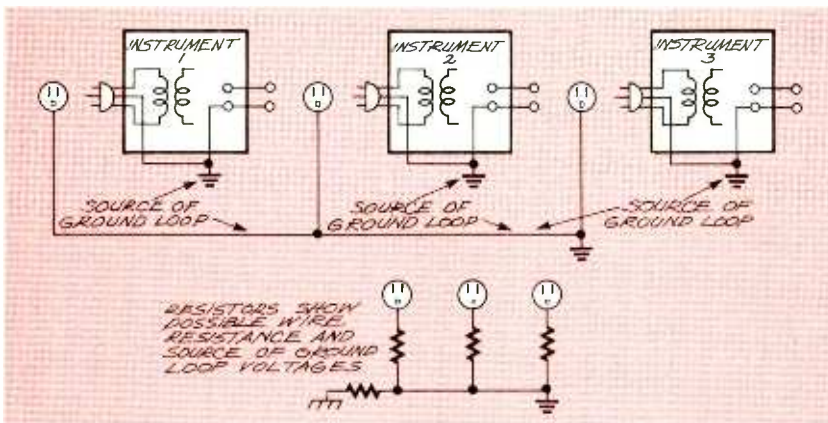


FIG. 2—GROUND LOOPS are caused by improper grounding. Ground-loop voltages can interfere with test measurements because the voltages in a ground loop can be larger than the signals you're trying to measure.

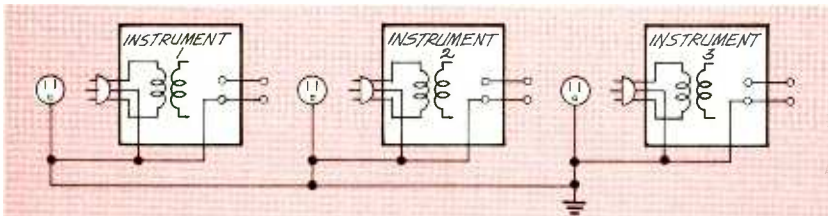


FIG. 3—TO PREVENT GROUND LOOPS, use two wire plugs to provide the line power to the test instruments and a separate wire to bring the input grounds of the instruments to a common ground.

quality of your test instruments and the extent of your expertise. Even though there are several possible reasons for your problem, my best guess is that you're falling victim to one of the oldest, and most overlooked sources of bench problems I can think of—bad grounding in the AC line that supplies power to the bench.

You went into great detail about your bench setup but didn't say a lot about the way you supply power to the test instruments. If you look at Fig. 2, you'll see the two main ways that ground loops get into an electrical system and, possibly, mess up measurements. Remember that while the voltages in a ground loop are small in comparison to the line voltage, the signals you're trying to measure are often smaller than the ground-loop voltages that interfere with them.

I can't tell you how many times I've seen test benches that were set up with meticulous care but with no thought whatsoever put into the distribution of line power. For best results, you should wind up with something that resembles Fig. 3. You'll notice that two-wire plugs are

used to provide the line power to the instruments and that a separate wire is used to bring the input grounds of the instruments to a common ground point which is, in turn, connected to a solid earth ground.

IMPEDANCE MATCHING
I do a lot of home audio recording using microphones, and was recently given several old, but still useable low-impedance mikes. However, all my equipment has inputs designed for high-impedance mikes. As a

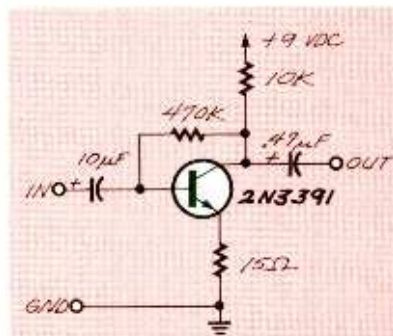


FIG. 4—THIS ONE-TRANSISTOR amplifier will provide more than enough gain to use low-impedance mikes with high-impedance equipment.

result of this mismatch, I get extremely low recording levels and a lot of hum. Is there any simple circuit I could build to make these mikes work with my equipment?—M. Bith, Phoenix, AZ

The easiest way to do what you have in mind is to use a transformer to step up the voltage from the low-impedance mikes. However, there are certain disadvantages to using transformers. It's much easier for you to build an impedance-matching circuit for each of the mike inputs you'll be using.

The schematic in Fig. 4 is a small one-transistor amplifier that will provide more than enough gain to solve your problem. The component values aren't critical and as long as you stay within twenty percent or so of the values shown in the schematic, the circuit will operate properly. The layout of the circuit isn't critical either, and it draws so little power that a 9-volt battery will last as long as its rated shelf life. Ω

Be an FCC LICENSED ELECTRONIC TECHNICIAN!

Earn up to \$30 an hour and more!

Learn at home in spare time. No previous experience needed!

No costly school. No commuting to class. The Original Home-Study course prepares you for the "FCC Commercial Radiotelephone License." This valuable license is your professional "ticket" to thousands of exciting jobs in Communications, Radio-TV, Microwave, Maritime, Radar, Avionics and more...even start your own business! You don't need a college degree to qualify, but you do need an FCC License.

No Need to Quit Your Job or Go To School
This proven course is easy, fast and low cost! **GUARANTEED PASS**—You get your FCC License or money refunded. **Send for FREE facts now. MAIL COUPON TODAY!**

COMMAND PRODUCTIONS
FCC LICENSE TRAINING, Dept. 90
P.O. Box 2824, San Francisco, CA 94126
Please rush FREE details immediately!

NAME _____
ADDRESS _____
CITY _____ STATE _____ ZIP _____

LETTERS

Write to Letters, Electronics Now, 500-B Bi-County Blvd., Farmingdale, NY 11735

PC ANTENNA CONTROL

The article, "PC-Based Universal Remote Control," by Jon Beck (*Electronics Now*, June 1993), and the improvement suggested by R.S. Fleishmann II in the December 1993 *Letters* column, prompted me to build the circuit for my Houston Tracker V satellite system. I wanted to focus my satellite dish on a different satellite to record a program in the middle of the night. Although later model satellite receivers have that capability, mine does not; computer control appeared to be the answer.

Unfortunately, the circuit with the five 4051 digitally-controlled analog switches would not work. Apparently the impedance of the row/column contacts on the Tracker V remote is extremely high (although the slightest contamination of its contacts prevents it from operating). By connecting the 4051s (in an off state) in either Bek's or Fleishmann's circuit puts the remote in a transmit condition. Regardless of what I tried, neither circuit would work.

That annoyed me, so I became determined to solve the problem. I found that stock optoisolators worked well. That discovery inspired me to design the simple and totally reliable circuit shown in Fig. 1. It has the additional advantage of providing total electrical isolation between the computer and the remote control.

The circuit has one 74LS541 octal bus/line driver and two quad optoisolators with darlington output (NEC or equivalent). The circuit can control a 16-function (4 × 4 matrix) keypad. It is driven by the parallel port of an IBM PC or compatible with a short GWBASIC program. Figure 2 is a sample program that drives the antenna for two moves which can be expanded for more moves.

Although the circuit draws less than 10 milliamperes when in stand-

by, I am developing another circuit with a CMOS driver to permit the control to be packaged as a battery-

powered portable unit.
ROBERT M. HARKEY, W4CUG
Charlotte, NC

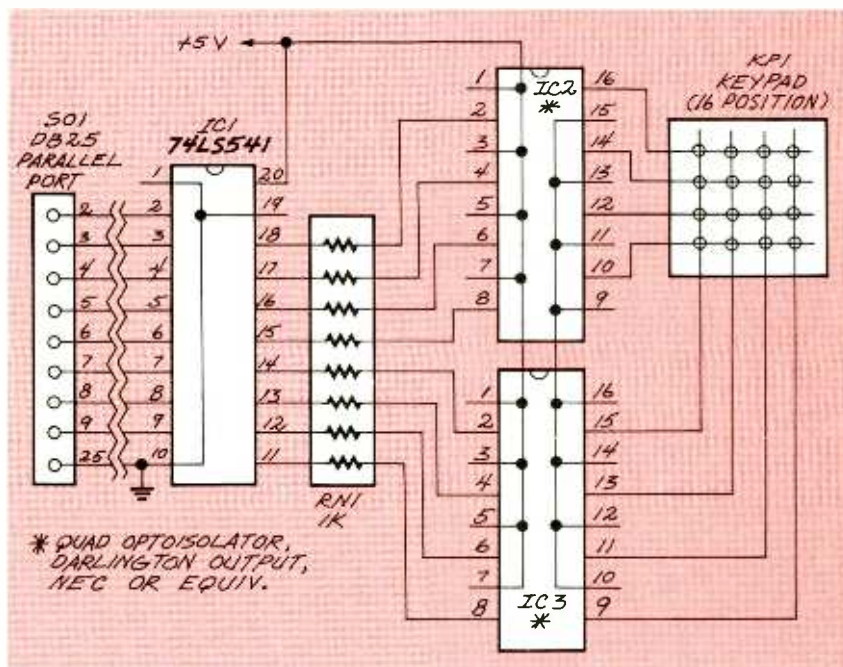


FIG. 1—REMOTE CONTROL FOR SATELLITE TRACKER includes a 74LS541 and two quad optoisolators with darlington output.

```

10 'FILENAME: REMOTE1.BAS. USED W/TRACKER V REMOTE & COMPUTER.
20 'BY R. HARKEY, 12/93.
30 CLS: KEY OFF:
40 D=&H378: 'LPT1 PARALLEL PORT USED
50 OUT D,255:
60 PRINT"PROGRAM START TIME: ";TIME$
70 PRINT"(PRESS Q TO QUIT PROGRAM)":
80 INPUT"WHAT IS THE FIRST FAVORITE CHANNEL";A$: GOSUB 340:
90 INPUT"WHAT TIME TO EXECUTE (6 DIGIT)";B$: GOSUB 340:
100 INPUT"WHAT IS THE SECOND FAVORITE CHANNEL";C$: GOSUB 340:
110 INPUT"WHAT TIME TO EXECUTE (6 DIGIT)";D$: GOSUB 340:
120 ROW=8: COL=1: X$=A$: Y$=B$: GOSUB 150:
130 ROW=12: COL=1: X$=C$: Y$=D$: GOSUB 150:
140 LOCATE 20,1: END:
150 LOCATE ROW,COL: PRINT"CURRENT TIME IS ";TIME$:
160 IF INKEY$="Q" THEN 140 ELSE 170:
170 PRINT"EXECUTION TIME IS ";Y$: IF TIME$=Y$ THEN 180 ELSE 150:
180 OUT D,183: GOSUB 330: OUT D,255: GOSUB 330:
190 IF X$="0" THEN G=215:
200 IF X$="1" THEN G=238:
210 IF X$="2" THEN G=222:
220 IF X$="3" THEN G=190:
230 IF X$="4" THEN G=237:
240 IF X$="5" THEN G=218:
250 IF X$="6" THEN G=189:
260 IF X$="7" THEN G=235:
270 IF X$="8" THEN G=219:
280 IF X$="9" THEN G=187:
290 OUT D,G:
300 GOSUB 330:
310 OUT D,255:
320 RETURN:
330 FOR Y=1 TO 3000: NEXT Y: RETURN: 'DELAY TIME
340 IF (A$="Q") OR (B$="Q") OR (C$="Q") OR (D$="Q") THEN GOTO 140
ELSE RETURN:

```

FIG. 2—SAMPLE PROGRAM IN GWBASIC for driving satellite antenna under PC control.

PROTECTING VINTAGE TUBES

The article entitled "Vintage Radio" by Marty Knight (**Electronics Now**, January 1994) contains an incomplete instruction that, if followed, could cause the destruction of valuable tubes. I refer to the statement "Replace the line cord with a cloth-covered cord from your hardware or lighting store."

Before the development of high-voltage filament tubes such as the 35Z5 and the 50L6, most tubes had 6- or 12-volt filaments. In the typical AC/DC radio made in the late 1930's and early 1940's, the voltage drop across those series-connected filaments was only about only 60 volts. It was necessary to add extra resistance to the line cord to allow the set to be powered from the 120-volt AC line.

The earlier sets had a *ballast tube* that looked like a conventional metal tube; it was plugged into a tube socket. The ballast tube contained a wirewound resistor with a high-watt rating that became very hot (almost red hot!) during normal operation. To keep a heat source of that kind out of the cabinet—especially after plastic enclosures became popular—the *resistor line cord* was developed. It was commonly used in the late 1930's and early 1940's.

The resistor line cord was a three-wire cord with two stranded copper conductors and a third resistance wire which was connected in series with the filament string. It looked like a conventional cloth-covered line cord, although it was a little thicker because of an asbestos layer under the cloth cover. Heat was dissipated over the length of the cord.

You could identify a resistor cord because it had three wires coming out of one end and was terminated by a two-prong, AC-line plug on the other end. When it was powering a working radio, the cord became warm to the touch. The host radio had a printed notice stating that the cord should never be shortened either pasted on its back or on a tag fastened to the cord. Those cords are long gone; I doubt if any are available except on old radios.

During World War II when materials were scarce, some do-it-yourself articles advised substituting a

120-volt incandescent lamp bulb as a dropping resistor. The power dissipated depended on the tubes in the radio. I recall one construction article for a combined radio/night light with the lamp acting as the dropping resistor.

A discrete resistor with a high-watt rating in series with the line cord was another alternative—if it were mounted so that it would not be a fire threat or burn anyone by accident.

My point is that a conventional two-wire, cloth-covered lamp cord is

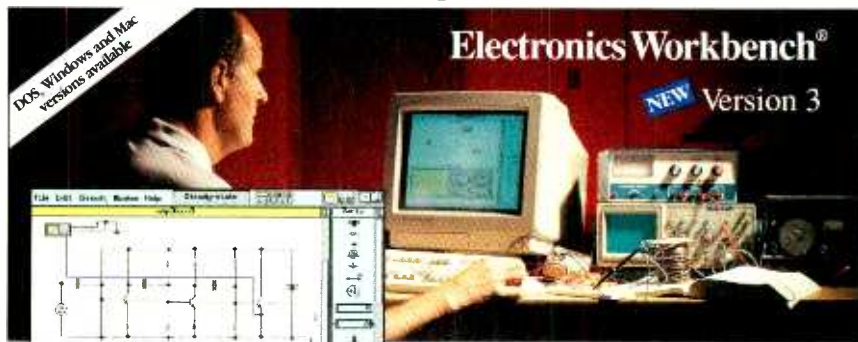
not a satisfactory replacement for a resistor line cord. Its use could result in putting twice the rated voltage across your tube filaments—making your tubes very unhappy in their old age.

NORM HOSLER, W2SFV
Lake Ariel, FL

AUDIO SCRAMBLING SYSTEM

In reading "Audio Scrambling System" by William Sheets and Rudolf Graf (**Electronics Now**, December 1993), I was amused by
Continued on page 81

Design and Verify Circuits. Fast.



Complement Your Test Bench

Here's why Electronics Workbench belongs on your test bench: Wires route themselves. Connections are always perfect. And the simulated components and test instruments work just like the real thing. The instruments are indestructible and the parts bin holds an unlimited supply of each component. The result, thousands of electronics professionals and hobbyists save precious time and money. **Over 90% would recommend it to their friends and colleagues.** Electronics Workbench: the ideal, affordable tool to design and verify your analog and digital circuits before you breadboard.

And now the best is even better - Electronics Workbench Version 3.0 is here. It simulates more and bigger circuits, and sets the standard for ease of use. We guarantee it.*

NEW Features in Version 3

- new components include JFETs, MOSFETs, controlled sources, manual, time-delay and controlled switches
- real-world models for opamps, BJTs, JFETs, MOSFETs and diodes
- MS-DOS version now supports up to 16 MB of RAM for simulation of bigger circuits
- new Microsoft® Windows™ and Macintosh™ versions available
- support now available on CompuServe™



Just \$299!

Electronics Workbench®

The electronics lab in a computer!™

Call: 800 263-5552

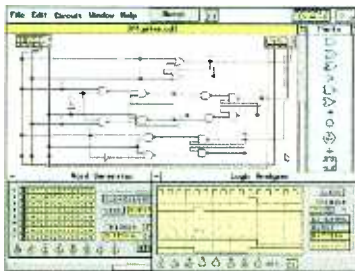
INTERACTIVE IMAGE TECHNOLOGIES LTD.
908 Niagara Falls Blvd., #068, North Tonawanda, NY 14120-2060
Telephone: (416) 361-0333 FAX: (416) 368-5799

*30-day money-back guarantee.
Prices in U.S. dollars, shipping \$15. Offer valid in U.S. and Canada only.
All trademarks are the property of their respective owners.



Analog Module includes:

- complete control over all component values
- ideal and real-world models for all active components
- resistors, capacitors, inductors, transformers, relays, diodes, Zener diodes, LEDs, BJTs, opamps, bulbs, fuses, JFETs and MOSFETs
- manual, time-delay, voltage-controlled and current-controlled switches
- independent, voltage-controlled and current-controlled sources
- multimeter
- function generator (1 Hz to 1 GHz)
- dual-trace oscilloscope (1 Hz to 1 GHz)
- Bode plotter (1 mHz to 10 GHz)
- SPICE simulation of transient and steady-state response



Digital Module includes:

- fast simulation of ideal components
- AND, OR, XOR, NOT, NAND and NOR gates
- RS, JK and D flip-flops
- LED probes, half-adders, switches and seven-segment displays
- word generator (16 eight-bit words)
- logic analyzer (eight-channel)
- logic converter (converts among gates, truth table and Boolean representations)

CIRCLE 178 ON FREE INFORMATION CARD

The newest tool

Introducing TekMeter.[™] The easy-to-use combination DMM and autoranging scope.

If you're like most people in the electrical and electronic service business, when you've got a job to do, you need to get it done fast, with a minimum of hassle. And preferably without juggling a bunch of tools on site.

To answer these concerns, Tektronix created TekMeter. Designed with input from customers, TekMeter is the only test and measurement tool that integrates true RMS multimeter and autoranging oscilloscope capabilities in one



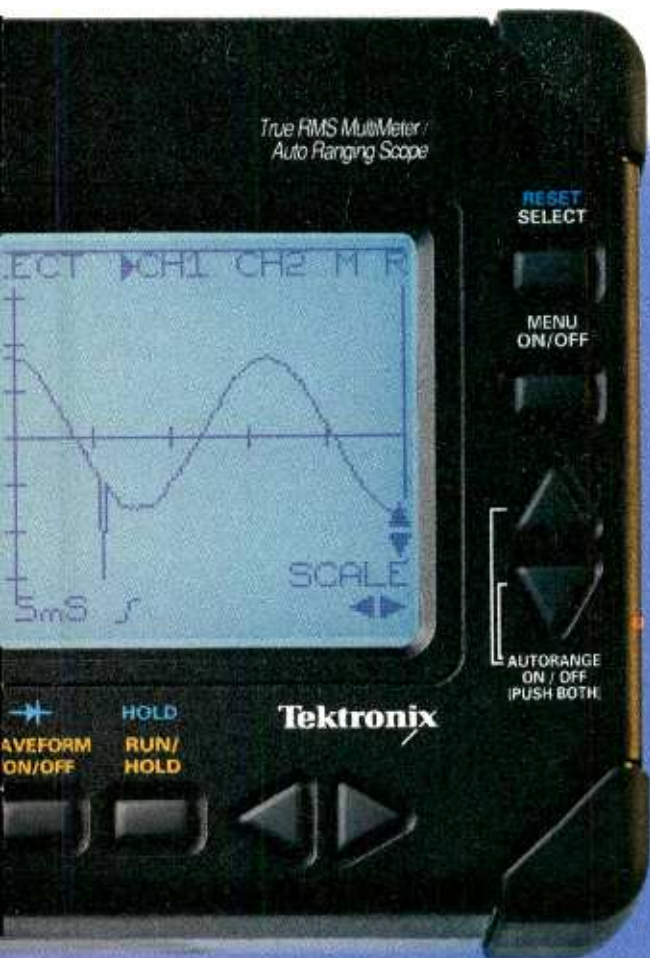
powerful yet lightweight package.

Best of all, you don't have to learn scope skills. TekMeter has a familiar DMM-like interface for every function. You just hook up the probes and toggle between DMM and waveform. At the



Check out the entire TekTools[™] line for all your measurement needs.

I of the trades.



distributor, call 1-800-426-2200, ext. 800 and put one to the test.

Once you've seen everything TekMeter can do—and how easily it does it—we think you'll agree it's the one tool you won't want to trade for anything else.

push of a button, you'll see exactly what you're measuring.

Easy to afford, too.

At only 2.2 pounds, TekMeter won't weigh heavily on your belt, and it won't do much damage to your wallet, either. Starting at \$859,* the TekMeter packages a remarkable set of capabilities that will enhance your productivity and will be easy to justify.

Put one in your hands today.

Of course, the best way to take full measure of TekMeter is to try it for yourself. For the name of your nearest authorized Tektronix



Come test drive the TekMeter at your local distributor and judge for yourself.

Tektronix

*Suggested retail price © Copyright 1993, Tektronix, Inc. 3MW-284272 Tekmeter, Tektools, and Tektronix are trademarks of Tektronix, Inc.

CIRCLE 92 ON FREE INFORMATION CARD

www.americanradiohistory.com

EQUIPMENT REPORTS

Elenco Electronics SM-220K Decision Maker

Learn how to work with surface-mount components—a skill you will need in the future.

CIRCLE 15 ON FREE INFORMATION CARD



The typical electronics hobbyist today builds circuits with leaded components—the kind with leads attached that pass through holes drilled in a PC board. Surface-mount components, by contrast, seem to be dreaded by hobbyists because their small size makes them difficult to work with, particularly for those with less-than-perfect vision. Surface-mount components are rarely specified in this magazine's construction projects because the authors who design the projects usually don't like to work with the tiny components either. They also want to keep the projects as easy to build as possible because cost-effective mass production is usually not a concern. Nevertheless, surface-mount technology (SMT) is here to stay, headed our way (toward hobbyists, that is), and will probably replace conventional through-hole, leaded-component technology altogether in the years to come.

Surface-mount components typically cost less than leaded components, and PC boards are usually cheaper when holes don't have to be drilled in them. Board space is saved when surface-mount components are used. That trims the cost of PC boards (smaller boards cost less to produce) as well as the cost of cases to package them in.

Surface-mount components have made miniature products producible as well as practical. Tiny gadgets such as cellular telephones and pocket pagers couldn't be made as

small if it weren't for SMT.

While miniaturization is primarily a concern for the consumer and military electronics industry, the hobbyist is likely to see more and more surface-mount projects in the future. Although surface-mount components aren't often specified in these pages, they do show up. Take, for example, the TG2000 sweep generator in this issue. That project makes extensive use of SMT, but considering the kit's cost, it's a project that should be attempted only if the builder has prior SMT assembly experience.

Give SMT a try

If you've never worked with SMT components, then you ought to try it at least once. With patience, it's not that difficult, and a project such as the SM-200K Decision Maker kit from Elenco Electronics, Inc. (150 W. Carpenter Ave., Wheeling, IL 60090, 708-541-3800) actually makes it fun.

The Decision Maker is a neat little circuit that randomly lights one of six LEDs when a button is pushed. The LEDs are laid out in a hexagonal pattern that "spins" like a roulette wheel for a few seconds before settling on one LED. An accompanying pulsating beep is heard while the display spins. A red plastic lens labeled with six "answers" (Ask Again, Maybe, Always, No Way, Forget It, and Positively) fits over the finished board. The idea here is that you ask it a question, press the button, and it gives you an answer. It's

similar to a *Magic 8-Ball*, only more fun to play. The kit includes a PC board, SMT components, the plastic lens, some solder, an instruction manual—and even a 9-volt battery.

Although the circuit is composed entirely of surface-mount components, it is a simple project to build; only two ICs and a handful (actually a pinch) of passive components are used. However, the kit includes a wide variety of different kinds of surface-mount components, making it a good first-time SMT project.

Soldering surface-mount components is actually very easy if the right techniques are used, although it is a bit tedious. The main problem is holding the components in place while soldering, because there are no leads to do it for you. One technique suggested in the manual worked quite well: Parts are first held down on the board with bits of masking tape with at least one terminal and solder pad exposed. After that pad is soldered, the tape can be removed and the part will stay put while you solder the rest of the pins or pads. We found it to be very important to use a clean, sharp-tipped soldering-iron at all times. The pencil tip we used worked well as long as we minimized the solder used. Even a small blob of solder on the iron's tip will easily "jump" to the adjacent pins on an SMT IC. We found holding the part with tweezers while soldering to be more difficult.

The main reason for building this kit is to gain experience with SMT components. The PC board has a small practice area and a few extra SMT components are included for those who want to practice the soldering technique before starting work on the actual circuit. We test-soldered one component in this area before starting on the working section. It's a good idea to use this section at least once, if only to make sure your soldering iron tem-

Continued on page 83

NRI knows: The best way to learn to service today's computers is to actually build a state-of-the-art computer from the keyboard up.



TRAIN WITH THE LEADER - NRI

The Department of Labor forecasts over 220,000 jobs for computer service technicians by the year 2005 — a full 38% increase over today's level. With NRI's easy, effective training, you can cash in on this wide-open opportunity and become a high-paid computer service technician.

NRI is the best way to prepare for a profitable new career, even a business of your own. A leader in at-home training for 80 years, NRI knows how to help you break into this high-demand field — regardless of your background in electronics! That's because you start with the basis, moving on step-by-step to master advanced computer concepts — all the while reinforcing theory with hands-on training that ensures success.

LEARN BY DOING

NRI's highly acclaimed learn-by-doing approach gives you a complete understanding of the intricate electronics behind the 1 meg RAM, 32-bit CPU computer included in your course. You perform hands-on electronics experiments with your NRI Discovery Lab and digital multimeter, then build and test the powerful 486sx/25 MHz computer you train with and keep. You install the floppy drive and, to give you maximum storage capacity, the 200 meg hard disk drive. And you go on to interface the Super VGA color monitor now included in your course. You even learn to recognize and service virtually any computer problem with the extraordinary R.A.C.E.R. plug-in card and QuickTech diagnostic software.

STUDY AT YOUR OWN PACE

With NRI, you study in the privacy and convenience of your own home — with your personal instructor and NRI's team of technical professionals behind you every step of the way. You learn at your own pace — no classroom pressures, no night school, no point in quitting your present job until you're ready to make your move!

Everything you need, for your training and your future, is included in the course...from the NRI Discovery Lab you use to build up and test prototype circuits to the mini-tower 486sx IBM-compatible computer with color monitor, 200 meg hard drive, 3.5" floppy drive, DOS, QBasic, and Microsoft Works, with its many utilities.

What's more, NRI's expanded and updated lessons give you a thorough understanding of computer operation, troubleshooting, and servicing. Your broad-based knowledge will come from detailed, easy-

to-understand explanations of everything from batch file applications to recovering lost data to printer servicing. You'll be on top of the latest trends and techniques, and by practicing what you read, you'll quickly acquire lasting, real-world knowledge that you can put to use right away!

It's a fact: Only NRI gives you such thorough, effective training in computer servicing because only NRI has you assemble and test one yourself!

LEARN MORE ABOUT NRI TODAY

Send today for NRI's free, full-color catalog that describes every aspect of NRI's innovative computer training, as well as hands-on training in other growing high-tech career fields. If coupon is missing write to: NRI Schools, McGraw-Hill Continuing Education Center, 4401 Connecticut Avenue, NW, Washington, DC 20008.

IBM is a registered trademark of International Business Machines Corp. R.A.C.E.R. and QuickTech are registered trademarks of Ultra-X, Inc. Intel Inside is a trademark of the Intel Corp.

SEND CARD TODAY FOR FREE NRI CATALOG

NRI Schools McGraw-Hill Continuing Education Center
4401 Connecticut Avenue, NW, Washington, DC 20008



- | | |
|---|--|
| <input checked="" type="checkbox"/> Check one FREE catalog only | <input type="checkbox"/> Computer Programming |
| <input type="checkbox"/> MICROCOMPUTER SERVICING | <input type="checkbox"/> Programming in C++ with Windows |
| <input type="checkbox"/> TV/Video/Audio Servicing | <input type="checkbox"/> Desktop Publishing & Design |
| <input type="checkbox"/> Telecommunications | <input type="checkbox"/> Word Processing Home Business |
| <input type="checkbox"/> Industrial Electronics & Robotics | <input type="checkbox"/> Bookkeeping & Accounting |
| <input type="checkbox"/> Security Electronics | <input type="checkbox"/> Home Inspection |
| <input type="checkbox"/> Electronic Music Technology | <input type="checkbox"/> Building Construction |
| <input type="checkbox"/> Basic Electronics | <input type="checkbox"/> Small Engine Repair |
| | <input type="checkbox"/> Automotive Servicing |

For career courses approved under GI Bill, check for details.



Name _____ (please print) Age _____

Address _____

City/State/Zip _____ Accredited Member, National Home Study Council 3-0494

NEW PRODUCTS

Use the Free Information Card for more details on these products.

TRIPLE-OUTPUT DC POWER SUPPLY.

A new 35-watt triple DC power supply from Hewlett-Packard has three different outputs. The outputs of the HP E3630A are 0 to 6 volts with a 2.5-ampere maximum current, 0 to 25 volts, and 0 to -25 0.5-ampere maximum current.

Separate digital meters on the HP E3630A permit simultaneous monitoring of voltage and current of any of its outputs. The 0.01 % load and line regulation assure steady outputs despite changes in power line voltage and load. It offers auto-tracking so that one voltage control adjusts the +20-volt and -20-volt outputs simultaneously. The outputs, which track



CIRCLE 16 ON FREE INFORMATION CARD

each other to within 1%, are protected against overload and short-circuit damage.

The HP E3630A with an AC power cord, operating manual, and 3-year limited warranty is priced at \$500.

Hewlett-Packard Company

Direct Marketing Org.
P. O. Box 58059
MS51 L-SJ
Santa Clara, CA
95051-8059
Phone: 1-800-452-4844
Ext. 7941

priced at \$6995.

Leader Instruments

380 Oser Avenue
Hauppauge, NY 11788
Phone: 516-231-6900 (in NY) or 800-645-5104

LINEAR OPTOCOUPLER DRIVER.

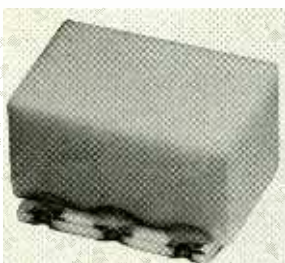
The UC39431 and UC39432 precision adjustable shunt regulators from Unitrode can function as optocoupler drivers in switching power supplies and as complete front ends for power supplies. Both of these ICs will replace common-emitter transistor amplifiers to provide linear control of an optocoupler's LED current. This results in greater accuracy than could be obtained from a nonlinear amplifier output.

The UC39431 includes a linear transconductance amplifier, stable voltage reference, and three precise, low-temperature coefficient resistors that can be connected to provide one of six regulated output voltages. The UC39432 is similar to the UC39431, but it does not have internal resistors. Its construction permits access to the error amplifier inputs and voltage reference. The gain of the linear transconductance amplifier is programmed by an external resistor to improve stability in closed-loop, optocoupler-feedback circuits.

The shunt regulators also have applications in voltage-to-current converters, flyback converters, magnetic-amplifier controllers, and analog voltage sensors.

The UC39431BN and

WIDEBAND MIXER. A new surface-mount, wideband 5 to 2500-MHz mixer is available from Mini-Circuits. The RMS-25 MH is packaged in an a ceramic case that measures 0.25 x 0.31 x 0.2 inch. The stated typical VSWR ratings are: LO: 1.60:1, RF 1.6:1, and IF1.10:1. The mixer has been built to pass MIL-M-28837 shock and vibration tests. All connection pads on the mixer have solder over a nickel-barrier.



CIRCLE 17 ON FREE INFORMATION CARD

The RMS-25MH is priced at \$7.95 each in 10 to 49 quantities.

Mini-Circuits

P. O. Box 350166
Brooklyn, NY 11235-0003
Phone: 718-934-4500
Fax: 718-332-4661

SURROUND-SOUND MONITOR.

A multi-channel audio monitor from Leader Instruments displays the surround-sound images in several formats. The Model 5836A, accepts up to five channels for left/center/right/surround and left/center/right/left-surround/right-surround systems. In addition, an X-Y (Lissajous) phase display can be selected between any pair of channels.

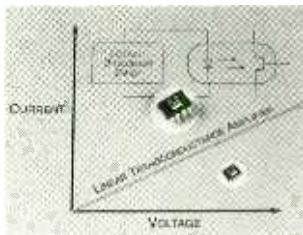
On-screen displays include level readouts in the



CIRCLE 18 ON FREE INFORMATION CARD

X-Y mode and electronically-generated gratitudes for both X-Y and surround-sound imaging. Inputs accept both balanced and unbalanced feeds. They also accept a digital-serial feed that complies with the AES/EBU format. A "spot killer" reduces beam current in the absence of a CRT protection signal. The monitor, which fits in a standard half-rack adapter, can be remotely controlled.

The Model 5836A is



CIRCLE 19 ON FREE INFORMATION CARD

UC39432BN are priced at \$1.25 each in 1000 quantities.

Unitrode Integrated Circuits Corporation

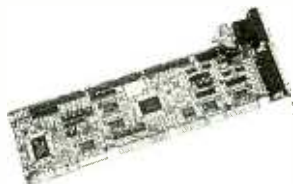
7 Continental Blvd.
Merrimack, NH
93054-0399
Phone: 603-424-2410
Fax: 603-424-3460

VL-IDE-DISK CONTROLLER.

A new 32-bit CSA-6210 VESA VL-Bus IDE disk controller from CMD Technology supports up to four

IDE disk drives. It is compatible with Novell NetWare disk mirroring, Windows NT RAID 0, 1, and 5, and Windows FastDisk and MS-DOS driver support.

The CSA-6210 is compatible with an IBM PC or compatible computers with VESA VL-bus slots. It includes CMD's IDE Software Toolkit which permits custom tailoring. Its specifications include sustained transfer rates up to 8.2 megabytes per second, with peak transfer rates up to 8.33 megabytes per



CIRCLE 20 ON FREE INFORMATION CARD

second.

The CSA-6210 disk controller, owner's manual, and IDE Software Toolkit is priced at \$69.

CMD Technology Inc.

1 Vanderbilt
Irvine, CA 92718
Phone: 714-454-0800
Toll Free: 800-426-3832

ELECTRICAL CONTACT CLEANER.

Electrical contact cleaner in an aerosol can from Caig Laboratories is free of carrier solvents that could contaminate the environment. ProGold G100 spray cleans and lubricates gold plated, base-metal plated, and other contact surfaces of edge connectors, battery terminals, plugs, relays, sockets, and switches. The manufacturer recommends it for abrasion reduction, and



CIRCLE 21 ON FREE INFORMATION CARD

elimination of arcing, tarnishing, and contamination from airborne particles.

A 2-ounce aerosol can of G100 ProGold is priced at \$24.95.

Caig Laboratories, Inc.

16744 West Bernadino Drive
San Diego, CA 92127
Phone: 629-451-1799
Fax: 619-451-2799

HIGH-VOLTAGE PROBES.

Three high-voltage probes from ITT Pomona are in-

NEXT MONTH IN

Electronics NOW

Today's engineers and technicians must understand programmable logic devices to be on the cutting edge of technology. That is why Electronics Now is presenting complete instructions on how to build a low-cost programmer. Even if you aren't doing component-level logic design on a daily basis, you can now experiment with programmable devices and see how PLD's can save PC-board space, reduce costs, and add design flexibility when compared to standard TTL.

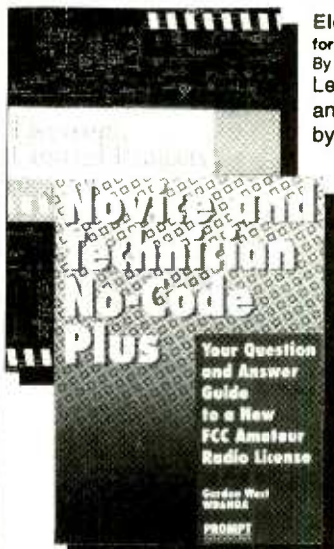
☆ Plus. . .How to build an AM Power Loop Antenna and pull in stations you never dreamed possible. Also, IBM OPC I/O Breadboard—get on the PC bus!

The May 1994 Issue is on Sale
APRIL 5, 1994

Watch for it!

Pick Up *Electronics Now* at your favorite Newsstand, Convenience Store, Bookstore or Supermarket

Presenting Two Exciting New Books from PROMPT® Publications . . .



Electronic Control Projects for the Hobbyist and Technician
By Henry C. Smith & Craig B. Foster
Learn more about electronics and gain personal experience by building projects! 162 pp.
ISBN: 0-7906-1044-2
\$16.95 U.S./\$21.95 Can. (plus postage and handling)

Novice and Technician No-Code Plus
By Gordon West
Become a licensed ham radio operator without having to take a Morse code test! 300 pp.
ISBN: 0-7906-1029-9,
\$16.95 U.S./\$21.95 Can. (plus postage and handling)

To order, contact your authorized Sams distributor or call our toll-free number. Ask for your free PROMPT catalog!

Howard W. Sams & Company

2647 Waterfront Pkwy., E. Drive, Suite 300
Indianapolis, IN 46214-2041
PHONE 1-800-428-7267
FAX 1-800-552-3910

April 1994, Electronics Now



CIRCLE 22 ON FREE INFORMATION CARD

tended for use with handheld or bench digital multimeters and oscilloscopes. *Model HV-40B*, intended for low-frequency measurement with instruments with 10-megohm input resistance, is rated at 40 kilovolts DC plus peak AC to 300 Hz with a 1000:1 voltage division ratio. With a DMM, it provides step-down voltage readings. It has retractable-sleeve digital multimeter plugs on a 2-meter cable.

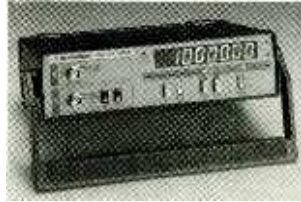
Model HV15HF is intended for measuring higher frequencies. It has a 5-MHz bandwidth, 15 kilovolt maximum input voltage rating (DC plus peak-to-peak AC), 3-picofarad input capacitance, 500-megohm input resistance, and a compensation range of 15 to 50 picofarads. The desired input is selected with a thumb-slide switch located on the handle of the test probe. A 1.5-meter cable is terminated with a BNC connector.

The *Model HV6* can make measurements at 6 kilovolts (DC or peak AC) and it has a 10-kHz bandwidth. It is intended as an accessory for 1-megohm and 10-megohm ranging multimeters. It has slide-switch selectable input and a 1.2-meter cable with retractable-sleeve DMM plugs.

The *Models HV40B* and *HV6* are priced at \$90, and the *Model HV15HF* is priced at \$195.

ITT Pomona Electronics
1500 East Ninth Street
Pomona, CA 91766-3835
Phone: 909-469-2900
Fax: 909-629-3317

MICROWAVE MULTIFUNCTION COUNTER. The *Model 1856A* microwave multi-function counter from *B + K Precision* has a bandwidth of 5 Hz to 2.4 GHz. It includes a crystal oscillator timebase with 0.5-parts per million stability from 18 to 28°C and 1 part per million from 0 to 50°C. Rated sensitivity is 50-millivolts at 2.4 GHz. An 8-digit LED display has kHz/microsecond, gate, and overflow indicators.



CIRCLE 23 ON FREE INFORMATION CARD

The *1856A* is suitable for making accurate and repeatable measurements of radio-transmitter output frequencies up to 2.4 GHz. *B + K Precision* says it provides measurement accuracy that exceeds FCC standards. Its upper range permits it to measure transmitter output for worldwide Personal Communications Services (PCS).

The *Model 1856A* microwave multifunction generator is priced at \$499.

B + K Precision
6470 West Cortland Street
Chicago, IL 60635
Phone: 312-889-1448
Fax: 312-804-9425

HIGH-SPEED GANG PROGRAMMER. The *AR-9808* EPROM gang programmer from *American Reliance* can program up to eight EPROM memories simultaneously. It has nine 32-pin zero insertion force (ZIF) sockets. The master EPROM is located in the first socket.

Only one keystroke per-



CIRCLE 24 ON FREE INFORMATION CARD

mits the *AR-9808* to program up to eight slave 8-megabit EPROMs or 2-megabit flash EEPROMs from the master memory. The ZIF test sockets can be removed and replaced. The address, data, control, supply, and programming voltage lines to each socket are electrically isolated to prevent defective memories from affecting the programming of the other memories.

The programmer also includes detection circuitry that verifies correct memory insertion in the sockets. It can be controlled remotely from its parallel port with an IBM PC or compatible computer under an optional software package.

The *AR-9808* EPROM programmer is priced at \$1495.

American Reliance Inc.
11801 Goldring Road
Arcadia, CA 91006
Phone: 800-654-9838 or
818-303-6688
Fax: 818-358-3838

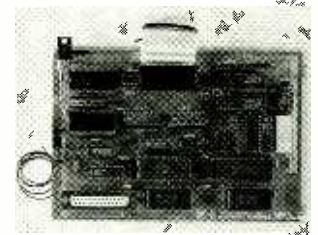
EPROM EMULATOR. The new *ROMY-16* EPROM emulator from *J&M Microtek* emulates 2716 to 27010 EPROMs or 6116 to 628128 SRAMs for 8- and 16-bit microcontroller systems. This emulator permits a code program to be downloaded and tested with the results seen immediately. The memories need not be removed from the host system.

To emulate an EPROM, a PC can read and write data to it while the host CPU

reads from the *ROMY-16*. To emulate an SRAM, both the PC and the host CPU can read and write data to the *ROMY-16*'s memory. The type and size of the memory device can be varied without circuit board changes.

For 16-bit microcontrollers, the emulator can emulate two EPROMs that share the same address line but have separate data lines. When emulating 8-bit microcontrollers, the memory with the lower byte value primarily emulates the target ROM or RAM.

To debug microcontrollers, the *ROMY-16* has a built-in, high-speed communication protocol port that can be turned on and off and located at any memory page. The user's program can send a message to the PC by down-



CIRCLE 25 ON FREE INFORMATION CARD

loading a simple communication routine into the emulator. An optional program (*UMPS V2.1*) allows on-board debugging.

ROMY-16 EPROM emulators range in price from \$195 through \$245, *UMPS V2.1* is priced at \$100 each CPU. Add \$7 S&H.

J&M Microtek, Inc.
83 Seaman Road
West Orange, NJ 07052
Phone: 201-325-1892
Fax: 201-736-4567

BENCHTOP DIGITAL MULTIMETERS. *Goldstar Precision* is offering two new microprocessor-controlled

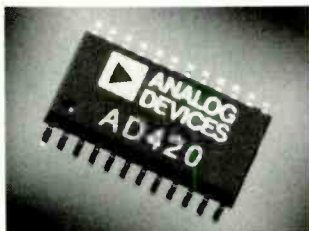


CIRCLE 26 ON FREE INFORMATION CARD

benchtop digital multi-meters that have 4½-digit, 19999-count displays, 0.1% DC accuracy, and 20-megohm resistance ranges.

Both Models *DM-342B* and *DM-343B* can measure frequencies to 200 kHz and they can perform fast continuity tests with a beeper. Their functions include data hold and the ability to check semiconductor diodes, batteries and transistor Hfe. In addition, the *Model DM-343B* can make true RMS measurements and measure decibels. It can also display minimum and maximum readings and has a compare mode; RS-232C or GP-IB interfaces are optional accessories.

The *Model DM-342B* is priced at \$199.95, and the *DM-343B* is \$279.95. **Goldstar Precision Co. Ltd.** 13013 East 166th Street Cerritos, CA 90701 Phone: 310-404-0101 Fax: 310-921-6227



CIRCLE 27 ON FREE INFORMATION CARD

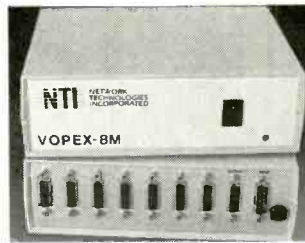
DIGITAL-TO-ANALOG CONVERTER. This 16-bit DAC IC from *Analog Devices* can drive either 4 to 20 or 0 to 20 milliampere current loops. The *AD420* can be a single IC interface between a microprocessor and a standard current loop. Its

output voltage is 0 to 5 volts, 0 to 10 volts, or ±10 volts.

The *AD420* requires a 12- to 36-volt supply; loop compliance is from zero to the supply voltage minus 2.5 volts.

The *AD420* is priced at \$10 in quantities of 1000.

Analog Devices Inc
181 Ballardvale Street
Wilmington, MA 01887
Phone: 617/937-1428
Fax: 617/821-4273



CIRCLE 28 ON FREE INFORMATION CARD

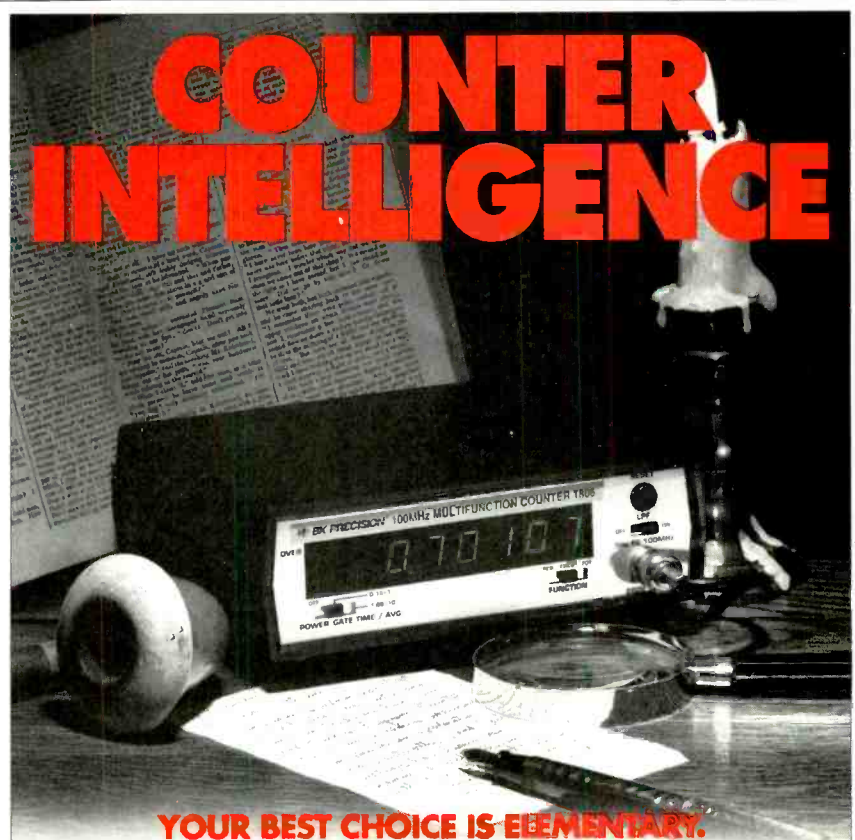
EIGHT-PORT VIDEO SPLITTER. The *VOPEX-8M* video splitter from *Network Technologies Inc.* allows

one Macintosh to drive up to eight monitors displaying the same image.

The *VOPEX-8M* is in a 8 × 6.3 × 2.5-inch plastic case and it is powered by 120-or 230-volts AC.

The *VOPEX-8M* with a 3-foot interface cable is priced at \$865.

Network Technologies Inc.
1275 Danner Drive
Aurora, OH 44202
Phone: 216-562-7070
Fax: 216-562-1999



YOUR BEST CHOICE IS ELEMENTARY.

B+K Precision introduces five new AC or Battery Powered Frequency Counters, with bandwidths ranging from 100MHz to 2.4GHz, time base stabilities from 2 to 0.5 parts per million, and introductory prices from \$209 to \$499.

Model 1803C offers outstanding value for a 100MHz counter and is ideal for a wide range of applications. Model 1806 adds period and totalize functions for low frequency applications, while Model 1807 has 1.3GHz bandwidth and an ultra-stable 0.5PPM TCXO time base with an optional accessory antenna. It is ideal for adjusting RF transmitters to FCC Standards. Model 1856A measures up to 2.4GHz for personal communications service applications.

Get the performance and features you need and pay no more than you have to, thanks to the intelligent new frequency counters available from B+K Precision!



6470 W. Cortland Street
Chicago, IL 60635
Phone: 312-889-1448
Fax: 312-794-9740

Model	Bandwidth	Period	Totalize Stability	Timebase	Price
New 1803C	100MHz			2PPM	\$209
New 1806	100MHz	Yes	Yes	2PPM	\$249
New 1807	1.3GHz			0.5PPM	\$299
New 1823	1.75MHz	Yes	Yes	2PPM	\$399
New 1856A	2.4GHz	Yes	Yes	0.5PPM	\$499

CIRCLE 187 ON FREE INFORMATION CARD

DRAWING BOARD

Why build a tachometer?

ROBERT GROSSBLATT

Advances in technology can be good and bad. They're good because they can lead to the development of really neat gadgets that can make our lives easier, and the gadgets continue to get better and cheaper with each passing day. However, technological advances can be bad if, while making something easier, they also eliminate the need for us to think.

Once upon a time a four-function calculator cost over a hundred bucks. Today, just about the only place you can find such a simple calculator is as a giveaway item with a six pack of soda. It's good that they're so cheap, but it's bad also because basic arithmetic skills aren't emphasized in schools as much these days. It seems that not as many twelve-year olds today can do long division as well as they could 15 years ago, and I've yet to meet anyone under thirty years old who knows how to derive a square root on paper.

We are rapidly becoming a civilization that is incapable of functioning without a pair of AA batteries—and, as we all know, they're not included! But it's time to put away my soapbox and get back to the business at hand.

Designing a tachometer

You can probably go to any auto-parts store and buy a tachometer for under \$50. It will come with a black box, three wires, and an incredibly spiffy looking display that's

guaranteed to dress up the appearance of your dashboard. This basic no-brainer can be installed in the time it takes for a commercial break during your favorite TV show. Given all this, why would you even think about building your own? The parts and time required to build it are going to cost more than a store-bought unit, to say nothing of your aggravation in getting the thing to work.

Fortunately, there are still enough of us around who have enough curiosity to want to know how things work, and a sufficiently large enough ego to know for sure that we're capable of doing whatever we put our minds to.

Tachometers are usually included only on higher-end model cars or as part of an outrageously priced accessory package. Luckily for the more stubborn people, tachometers are not very difficult to build. There are lots of designs around (there are even several "tachs on a chip"), but the basic approach to building them is usually the same. In line with my well established procedure, I'll be using common ICs and standard value components.

The fundamental components of a tachometer are shown in Fig. 1. The critical elements of the design are the timebase and the counting circuitry. If the circuit can't keep accurate time, the values that it feeds to the display are not going to be very useful. Fortunately, achiev-

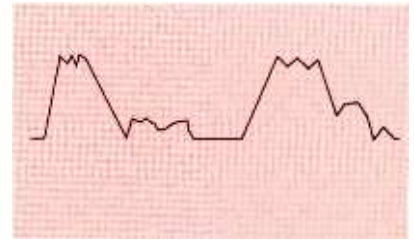


FIG. 2—A CAR'S IGNITION SYSTEM is exceptionally noisy. The pulses from the coil are in the kilovolt range, and are far from clean. They usually look something like this.

ing timebase accuracy is simple and achieving reliability in a pulse-counting circuit is simply a matter of careful design.

Notice that there's a separate section that conditions the signal which is fed to the tachometer circuit. Whenever you want to do something with a car's ignition system, you have to pay extra special attention to be sure that the signal you get is the signal you want. However noisy a car's electrical system might be, the ignition system is the noisiest of all. Remember that the pulses being fed from the coil are in the kilovolt range. Moreover, they're not clean square waves. If you put them on an oscilloscope you'll probably see a waveform like the illustration shown in Fig. 2.

The circuit shown in Fig. 3 is a good starting point for a signal-conditioning circuit. Notice that the signal is picked off the distributor points and not one of the spark-plug wires. The signal frequency at the distributor points is always greater than at any one of the plugs. (For example, it's four times greater for a four-cylinder engine.) And even though tachometers are really just counters that can measure very low frequencies, the higher the input frequency, the easier it is to get accurate readings.

The circuitry shown in Fig. 3 is nothing more than a series of re-

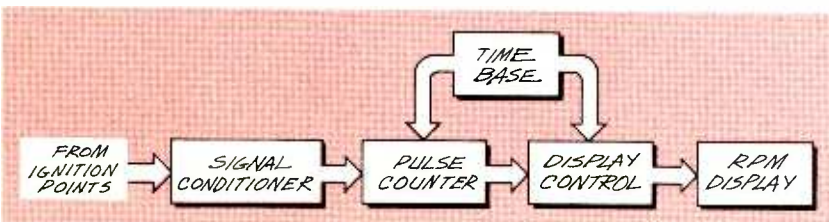


FIG. 1—FUNDAMENTAL TACHOMETER COMPONENTS. The critical elements are the time base and the counting circuitry.

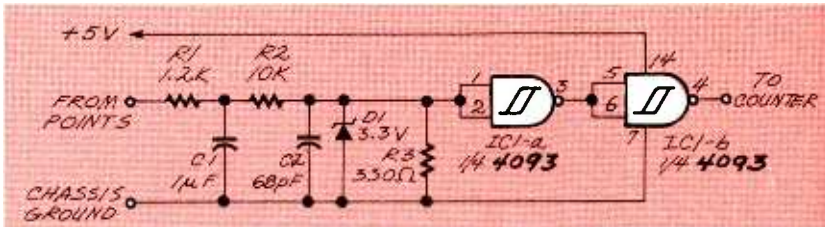


FIG. 3—SIGNAL-CONDITIONING CIRCUIT. The signal is picked off the distributor points where the frequency is greater than at any one of the plugs.

sistors and capacitors that are designed to "swallow up" any higher-order harmonics, cut the amount of power presented to the tachometer input, and isolate the tachometer from the ignition system. The values shown for the components are middle-of-the-road numbers that should work well for just about any car on the road—there isn't much difference between cars in this part of the ignition system. You might have to adjust the components slightly for your car, but you'll only have to make minor changes in the resistor values.

If you have any doubts, make the numbers higher rather than lower. The values of the capacitors can be changed slightly without their having much effect on the circuit. It's really just a question of parts you happen to have lying around.

By the time the raw pulse gets through the RC circuits, it's at a safe power level, and the majority of the signal's initial harmonics and rippling "aftershocks" have been removed. The Zener diode guarantees that the voltage level won't be high enough to fry IC1-a's inputs. The final clean up of the pulses is done by the two 4093 Schmitt triggers (IC1-a and -b) that are set up as simple inverters. By the time an input pulse gets through those, it's a TTL-compatible pulse with a frequency of one count per point pulse.

Put this part of the circuit together and hook it up to the coil wire on your car's distributor. The ideal way to see if everything is okay is to use an oscilloscope and look at the pulses produced by IC1-b. If you don't have a scope, you can probably work out some circuit with an LED and a timing light; have the LED light when there's no pulse, and shine the timing light on the LED. If everything is working, you should

never see the LED light while the timing light is on. This method is not exact, and it depends on the timing light you use. If anyone out there can think of a neat way to verify this part of the circuit, I'm open to ideas. Let me know if you think of something and I'll spread it around to everyone.

Designing the counter circuit isn't as straightforward as you might imagine because the number of pulses per engine revolution depends on how many cylinders your car's engine has.

Let's assume that an engine has only one cylinder. If it's a four-stroke engine, the plug will fire only once for every two revolutions of the engine. A two-stroke engine fires once per revolution, but unless you have an old dirt bike or an ancient SAAB, you can forget about two-stroke engines altogether.

About the only place you'll see two-stroke engines these days is in chain saws and outboard engines, and there's a very good reason for it. There will be a special mention here for anyone who knows what that reason is.

The rules for multi-cylinder four-stroke engines is just a simple extension of the single-cylinder example. A single-cylinder engine fires each time the crankshaft rotates twice (every 720°). A two-cylinder engine fires once every 360° of rotation, a four-cylinder fires every 180 degrees, a six-cylinder every 120 degrees, and so on.

When you design the counting and timing circuitry for the tachometer, it must be configured to match the number of cylinders in a given engine because you will be relying on the number of pulses coming from the coil to reveal engine rpm. When we get together next time, we'll work out the details of these two circuits. □

Earn Your B.S. Degree in ELECTRONICS or COMPUTERS



By Studying at Home

Grantham College of Engineering, now in our 43rd year, is highly experienced in "distance education"—teaching by correspondence—through printed materials, computer materials, fax, and phone.

No commuting to class. Study at your own pace, while continuing on your present job. Learn from easy-to-understand but complete and thorough lesson materials, with additional help from our instructors.

Our Computer B.S. Degree Program includes courses in BASIC, PASCAL and C languages — as well as Assembly Language, MS DOS, CADD, Robotics, and much more.

Our Electronics B.S. Degree Program includes courses in Solid-State Circuit Analysis and Design, Control Systems, Analog/Digital Communications, Microwave Engr, and much more.

An important part of being prepared to *move up* is holding the right college degree, and the absolutely necessary part is knowing your field. Grantham can help you both ways—to learn more and to earn your degree in the process.

Write or phone for our free catalog. Toll free, 1-800-955-2527, or see mailing address below.

Accredited by
the Accrediting Commission of the
National Home Study Council

GRANTHAM
College of Engineering
Grantham College Road
Slidell, LA 70460

NEW LITERATURE

Use The Free Information Card for more information on these books and literature.

The Internet Guide for New Users; by Daniel P. Dern. McGraw-Hill Inc., 1221 Avenue of the Americas, New York, NY 10020; Phone: 1-800-2-MCGRAW; \$27.95.

This book provides a map and traveler's guide to the Internet. It explains procedures for entering the system to newcomers and it gives experienced users key information about the concept of the Internet and its facilities.



CIRCLE 40 ON FREE INFORMATION CARD

Dern explains the similarities and differences between the Internet, CompuServe and other on-line services. He describes the fundamentals of Internet naming and addressing, and he explains Unix in enough detail for most Internet users. The author goes on to explain how to use the Internet's basic on-line facilities: electronic mail, Usenet, remote-login, and file transfer.

This guide will be of value to owners or users of IBM personal computers or compatibles, Apple Macs, Amigas, and Unix-based computers. It explains how to pick a suitable organization for an account based on the user's needs, interests, and budget. In addition, the book explains how to gain access to existing

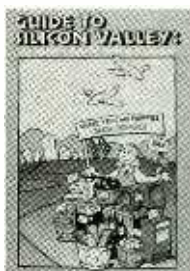
lists of Internet providers and services, and it cites examples of the growing list of commercial and business services. The author also explains why it is necessary to follow Internet protocol in all interactions.

Leigh Weimers' Guide to Silicon Valley: An Insider's Tips for Techies & Tourists; by Leigh Weimers. Western Tanager Press, 1111 Pacific Ave., Santa Cruz, CA 95060; Phone: 408-425-1111; \$12.95.

This book views the region south of San Francisco, popularly known as "Silicon Valley" as if it were a place apart—a separate island or country where the denizens have their own language, rituals and style. It should prove to be useful whether you travel there on business or arrive there simply as a curious tourist in this fabled "cradle of high tech."

The book serves as a guide to the Valley's largest companies and venture capital firms. The author has first hand knowledge of the area; she was living there back when its principal products grew on trees in the 1950s. Ms. Weimers writes a feature column about Silicon Valley for the San Jose *Mercury News*, a nearby city not considered to be in the Silicon Valley.

She addresses both the "ancient" history and current events—personal and economic—and names names of local personalities. The book contains detailed information on lodging, dining, sightsee-



CIRCLE 39 ON FREE INFORMATION CARD

ing, shopping, the visual and performing arts, sports, nightlife, and places to take the kids. And you'll even get practical information on climate, available public transportation, and how to get around on your own. Add to that lists of wineries, annual events, parks, and a handy telephone number directory.

Ready-to-Build Telephone Enhancements; by Delton T. Horn. Tab Books Inc., Blue Ridge Summit, PA 17294-0850; Phone: 1-800-233-1128; \$16.95.

This book explains how to customize your telephone with enhancements that will do things like correcting an annoying ring or preventing your children from wasting your money on long-distance or 900 numbers. Intended for the



CIRCLE 38 ON FREE INFORMATION CARD

electronic hobbyist, it offers step-by-step instructions, schematic diagrams, parts lists, and layout diagrams for more than two dozen telephone-related projects.

Horn explains how to turn your standard telephone into a terminal in a multipurpose home communications system that will save you time, money, and grief. The projects described include, in addition to the musical ringer and the 900-number disconnect circuit, a Touch-Tone signaler and decoder, hold-button circuit that turns on music, and a computerized auto-dialer.

You'll be able to make a call timer with automatic hang-up as well as circuits for long-distance lockout, an auto-answering modem, and a tape-recorder interface. For the hearing impaired, there is an earpiece amplifier and a flashing-ringer.

Desktop Publishing with WordPerfect 6 for Windows; by Richard Mansfield. Ventana Press, P. O. Box 2468, Chapel Hill, NC 27515; Phone: 919-942-0220; Fax: 919-942-1140; \$24.95.

This book concentrates on desktop publishing with WordPerfect 6 for Windows. It will be helpful in the design of logos and the layout of brochures, newsletters, and display advertising. The illustrated text gives beginners as well as intermediate users step-by-step instructions in applying the graphics tools and techniques with the

Introducing a New Era In Technical Training.

World College, an affiliate of the Cleveland Institute of Electronics, was created to provide a four year, independent study, technical degree program to individuals seeking a higher education. The Bachelor of Electronics Engineering Technology Degree, offered by World College, prepares students for high-paying careers in electronics, telecommunications, electrical power, computer and control systems. World College's curriculum is taught in an effective, time-proven, independent study environment. With World College's flexible study schedule, students have the opportunity to work or spend time with their family without having to worry about rigid scheduling residential colleges offer.

A Quality Education with a Flexible Schedule.

In a world heavily dependent on electronic equipment, people who understand electronics will have no problem putting their knowledge to work... in high-paying careers. The staff and faculty of World College have invested over ten years developing, what we believe to be, the finest independent-study, baccalaureate degree program available. World College's mission is to instill in each student the knowledge, education, and training that employers are seeking for the many technical positions available today. It's a program created to provide the best education and training possible with a flexible schedule to match your busy lifestyle.



World College is currently seeking approval to confer the Bachelor Degree from the Virginia Council of Higher Education.

Earn A Bachelor of Electronic Engineering Technology Degree from



WORLD COLLEGE
Bringing Technology Home!

Lake Shores Plaza
5193 Shore Drive, Suite 113
Virginia Beach, VA 23455-2500

Send For Your Free Course Catalog.

Take the first step towards a new start in life. Send for World College's Free Independent Course Catalog today and discover how easy and affordable it is to get started on your Bachelor Degree.

World College is affiliated with



Complete the Entire Degree Program Under One Roof. Yours!

Only World College offers an independent study, four year technical degree which can be completed through one school. All lab equipment*, parts, and software are included in your tuition and the program's 300-plus laboratory experiments can be completed in your own home.

You Pay Only For Time Actually Used.

World College not only provides a means to earn a Bachelor Degree while fulfilling current obligations, but there are no restrictions on how fast you can complete the program. At World College, you pay tuition only for the actual upper-level semesters it takes to graduate. The quicker you complete the program, the less you pay in tuition. It's an effective way to keep you motivated in order to complete the course and move on to a better paying position as quickly as possible.

Currently not available in Ohio.
* Student must have access to a personal computer system.

YES! Please send me World College's Free Course Catalog detailing the full curriculum.

Name: _____

Address: _____

Apt: _____

City: _____

State: _____ Zip: _____

Phone: (_____) _____

Age: _____

Return to: **WAE08**
World College
Lake Shores Plaza
5193 Shore Drive, Suite 113
Virginia Beach, VA 23455-2500

EN Engineering Admart

Rates: Ads are 2 1/4" x 2 1/8". One insertion \$995 each. Six insertions \$950 each. Twelve insertions \$925 each. Closing date same as regular rate card. Send order with remittance to Engineering Admart, Electronics Now Magazine, 500-B Bi-County Blvd., Farmingdale, NY 11735. Direct telephone inquiries to Arline Fishman, area code-1-516-293-3000. FAX 1-516-293-3115. Only 100% Engineering ads are accepted for this Admart.

Radiotelephone - Radiotelegraph FCC Commercial License

Why Take Chances?

Discover how easy it is to pass the exams. Study with the most current materials available. Our Homestudy Guides, Audio, Video or PC "Q&A" pools make it so fast, easy and inexpensive. No college or experience needed. The new commercial FCC exams have been revised, covering updated Aviation, Marine, Radar, Microwave, New Rules & Regs, Digital Circuitry & more. We feature the Popular "Complete Electronic Career Guide".

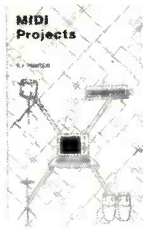
1000's of satisfied customers **Guarantee** to pass or money back.

Send for **FREE DETAILS** or call

WPT Publications
7015 N.E. 61st Ave Dept. 10
Vancouver, WA 98661
1-800-800-7588

CIRCLE 105 ON FREE INFORMATION CARD

MIDI PROJECTS

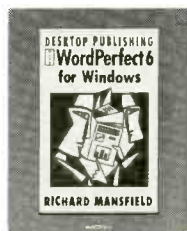


BP182—MIDI interfacing enables any so equipped instruments, regardless of the manufacturer, to be easily connected together and used as a system with easy computer control of these music systems. Combine a computer and some MIDI instruments and you can have what is virtually a programmable orchestra. To order your copy **send \$6.95 plus \$2.50 for shipping** in the U.S. to **Electronic Technology Today Inc., P.O. Box 240, Massapequa Park, NY 11762-0240.**

HIGH POWER AUDIO AMPLIFIER CONSTRUCTION



BP277—Here's background and practical design information on high power audio amplifiers capable of 300 ± 400 watts r.m.s. You'll find MOSFET and bipolar output transistors in inverting and non-inverting circuits. To order your copy **send \$6.25 plus \$2.50 for shipping** in the U.S. to **Electronic Technology Today Inc., P.O. Box 240, Massapequa Park, NY 11762-0240.**



CIRCLE 37 ON FREE INFORMATION CARD

mouse. Mansfield explains WordPerfect 6's enhanced graphics features, including button bars and menus and support for Windows fonts and WordPerfect Draw. He also describes how to make graphics projects more exciting with multicolumn layouts, custom templates, and graphics macros.

All this should help readers to acquire an "artist's eye"—useful in setting up attractive, balanced layouts. The author also gives advice on the selection of type size and styles, and he comments on fads and fashion in desktop publishing. Hundreds of before-and-after examples are included.

Wiring Control Products Catalog. J&J Electronics, Inc., 6 Faraday, Irvine, CA 92718; Phone: 714-455-4460 or 800-735-4553; Fax: 714-455-4474.

This 172-page catalog describes J&J Electronics' wiring control product line. It includes information on more than 2300 parts divided into nine separate product sections. These include solderless crimp terminals,



CIRCLE 36 ON FREE INFORMATION CARD

connectors and lugs, cable ties and accessories, wire and cable holding devices, heat-shrinkable tubing, and circuit board hardware.

Full-Line Catalog No. 24. Leader Instruments Corporation, 380 Oser Avenue,

Hauppauge, NY 11788; Phone: 1-800-645-5104, in NY, 516-231-6900; free.

This 120-page, color catalog presents complete descriptions and technical specifications for 81 of Leader's electronic test instruments. Included are 10 new products. The instruments described include general-purpose analog and digital test instruments, digital storage oscilloscopes and many units of specialized test instruments and equipment.



CIRCLE 35 ON FREE INFORMATION CARD

These instruments include audio, function, and radio-frequency generators, audio analyzers, video generators and monitors, and programmable RGB generators. Lead-

er also offers meters and bridges, frequency counters, and benchtop power supplies.

The Virtual Reality Primer; by L. Casey Larjani. McGraw-Hill Inc., 1221 Avenue of the Americas, New York, NY 10020; Phone: 1-800-2-MCGRAW; \$24.95, paperback, \$40 hardcover.

This book explains *virtual reality*, a complex computer-based technology. It is believed to have many commercial applications beyond entertainment. Ms. Larjani explains how virtual reality works and where it's going. She also speculates on its future impact.



CIRCLE 34 ON FREE INFORMATION CARD

Countersurveillance

Never before has so much professional information on the art of detecting and eliminating electronic snooping devices—and how to defend against experienced information thieves—been placed in one VHS video. If you are a Fortune 500 CEO, an executive in any hi-tech industry, or a novice seeking entry into an honorable, rewarding field of work in countersurveillance, you must view this video presentation again and again.

Wake up! You may be the victim of stolen words—precious ideas that would have made you very wealthy! Yes, professionals, even rank amateurs, may be listening to your most private conversations.

Wake up! If you are not the victim, then you are surrounded by countless victims who need your help if you know how to discover telephone taps, locate bugs, or “sweep” a room clean.

There is a thriving professional service steeped in high-tech techniques that you can become a part of! But first, you must know and understand Countersurveillance Technology. Your very first insight into this highly rewarding field is made possible by a video VHS presentation that you cannot view on broadcast television, satellite, or cable. It presents an informative program prepared by professionals in the field who know their industry, its techniques, kinks and loopholes. Men who can tell you more in 45 minutes in a straightforward, exclusive talk than was ever attempted before.

Foiling Information Thieves

Discover the targets professional snoopers seek out! The prey are stock brokers, arbitrage firms, manufacturers, high-tech companies, any competitive industry, or even small businesses in the same community. The valuable information they filch may be marketing strategies, customer lists, product formulas, manufacturing techniques, even advertising plans. Information thieves eavesdrop on court decisions, bidding information, financial data. The list is unlimited in the mind of man—especially if he is a thief!

You know that the Russians secretly installed countless microphones in the concrete work of the American Embassy building in Moscow. They converted



CALL NOW!

1-516-293-3751

HAVE YOUR VISA or MC CARD AVAILABLE

what was to be an embassy and private residence into the most sophisticated recording studio the world had ever known. The building had to be torn down in order to remove all the bugs.

Stolen Information

The open taps from where the information pours out may be from FAX's, computer communications, telephone calls, and everyday business meetings and lunchtime encounters. Businessmen need counselling on how to eliminate this information drain. Basic telephone use coupled with the user's understanding that someone may be listening or recording vital data and information greatly reduces the opportunity for others to purloin meaningful information.

CLAGGK INC. EN
P.O. Box 4099 • Farmingdale, NY 11735

Please rush my copy of the Countersurveillance Techniques Video VHS Cassette for a total cost of \$53.95 each (which includes \$4.00 postage and handling).

No. of Cassettes ordered _____
Amount of payment \$ _____
Sales tax (N.Y.S. only) _____
Total enclosed _____
Bill me VISA MasterCard
Card No. _____
Expire Date ____ / ____
Signature _____
Name _____
Address _____
City _____ State _____ ZIP _____

All payments in U.S.A. funds. Canadians add \$4.00 per VHS cassette. No foreign orders.

The professional discussions seen on the TV screen in your home reveals how to detect and disable wiretaps, midget radio-frequency transmitters, and other bugs, plus when to use disinformation to confuse the unwanted listener, and the technique of voice scrambling telephone communications. In fact, do you know how to look for a bug, where to look for a bug, and what to do when you find it?

Bugs of a very small size are easy to build and they can be placed quickly in a matter of seconds, in any object or room. Today you may have used a telephone handset that was bugged. It probably contained three bugs. One was a phony bug to fool you into believing you found a bug and secured the telephone. The second bug placates the investigator when he finds the real thing! And the third bug is found only by the professional, who continued to search just in case there were more bugs.

The professional is not without his tools. Special equipment has been designed so that the professional can sweep a room so that he can detect voice-activated (VOX) and remote-activated bugs. Some of this equipment can be operated by novices, others require a trained countersurveillance professional.

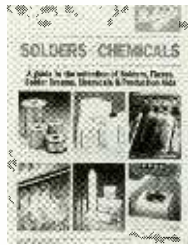
The professionals viewed on your television screen reveal information on the latest technological advances like laser-beam snoopers that are installed hundreds of feet away from the room they snoop on. The professionals disclose that computers yield information too easily.

This advertisement was not written by a countersurveillance professional, but by a beginner whose only experience came from viewing the video tape in the privacy of his home. After you review the video carefully and understand its contents, you have taken the first important step in either acquiring professional help with your surveillance problems, or you may very well consider a career as a countersurveillance professional.

The Dollars You Save

To obtain the information contained in the video VHS cassette, you would attend a professional seminar costing \$350-750 and possibly pay hundreds of dollars more if you had to travel to a distant city to attend. Now, for only \$49.95 (plus \$4.00 P&H) you can view *Countersurveillance Techniques* at home and take refresher views often. To obtain your copy, complete the coupon or call.

You'll find out what is needed to create a virtual world—hardware and software, networking capabilities, and audio/video equipment. The book contains objective reviews of representative VR products and it reports on the latest developments, participants in the field, and investors. As a bonus you'll receive a useful glossary of 200 virtual reality terms.



CIRCLE 33 ON FREE INFORMATION CARD

flux, wave and static bath solders, solder creams, surface-mount device adhesives, and cleaning liquids. Prototype-production equipment and process-control instruments are also included in this flier.

Solders & Chemicals Guide.
Multicore Solders, Inc.,
 1751 Jay Ell Drive,
 Richardson, TX 75081;
 Phone: 214-238-1224; Fax:
 214-437-0288; free.

This six-page brochure is a quick reference guide to Multicore Solders' complete product line. The company's products include cored wire solder,

Becoming An Electronics Technician: Securing Your High-Tech Future; by Ronald A. Reis. Merrill, Macmillan Publishing Company, 866 Third Avenue, New York, NY 10022.

Have you ever considered becoming an electronics technician?. If you are thinking about a career in electronics, this book will answer a lot of questions you might have. The topics covered in this book include the author's views on where the electronics industry is headed, and a discussion of the differences in training and duties of degreed electronic engineers, electronics techni-

cians, and technical support personnel.

You'll get answers to questions on the formal training needed and its cost today. You'll also get some good advice on what is really important in electronics courses, and how to succeed as a student. The author comments on the range of duties available to technicians and expected earnings.

This lively book discussed the benefits as well as the drawbacks, and it quotes working electronics technicians about their work. You'll learn about the tradeoffs of becoming an independent technician and owning your own service company as opposed to climbing the corporate ladder. And you'll get the lowdown on factory vs. field work. Ω



CIRCLE 32 ON FREE INFORMATION CARD

ATTENTION!
ELECTRONICS
TECHNICIANS




EARN YOUR B.S.E.E. DEGREE THROUGH HOME STUDY

Our New and Highly Effective Advanced-Placement Program for experienced Electronic Technicians grants credit for previous Schooling and Professional Experience, and can greatly reduce the time required to complete Program and reach graduation. No residence schooling required for qualified Electronic Technicians. Through this Special Program you can pull all of the loose ends of your electronics background together and earn your B.S.E.E. Degree. Upgrade your status and pay to the Engineering Level. Advance Rapidly! Many finish in 12 months or less. Students and graduates in all 50 States and throughout the World. Established Over 40 Years! Write for free Descriptive Literature.

COOK'S INSTITUTE OF ELECTRONICS ENGINEERING

CI 4251 CYPRESS DRIVE
 JACKSON, MISSISSIPPI 39212

CIRCLE 58 ON FREE INFORMATION CARD



THE MOST
AN IMPORTANT PART OF YOUR PHOTOCOPIER ISN'T PART OF YOUR PHOTOCOPIER

Having a machine may not permit you to photocopy books, journals, newsletters and magazines.
 The Copyright Clearance Center CAN.
 Contact us to find out how you too can COPY RIGHT!SM

COPYRIGHT CLEARANCE CENTER
 222 Rosewood Drive, Danvers, MA 01923 □ Tel. (508) 744-3350 □ Fax (508) 741-2318
 © 1993 Copyright Clearance Center



One tree can make 3,000,000 matches.



One match can burn 3,000,000 trees.



A Public Service of This Magazine & The Advertising Council

Experience The New Technology Behind Today's Advanced Computer Systems With...

McGraw-Hill's Computer Electronics Series

NEW! Now you have a fast, easy, low-cost way to meet the challenges of today's computer electronics. McGraw-Hill's unique new learning series is as innovative as the technology it explains, as fascinating as the experiments you perform.

From circuit theory to the Pentium chip, you master one subject at a time with the McGraw-Hill Computer Electronics Series. Twelve unique modules, sent to you one every 4-6 weeks, give you a thorough understanding of such subjects as digital logic, microcomputer operation, data storage devices, data communications, PC servicing, local area networks, and more.

Each module goes right to the heart of the matter. You waste no time on extraneous material or dry history. Instead, you get a fast, efficient, and lively learning experience... a nontraditional approach to the most modern of subject matter.

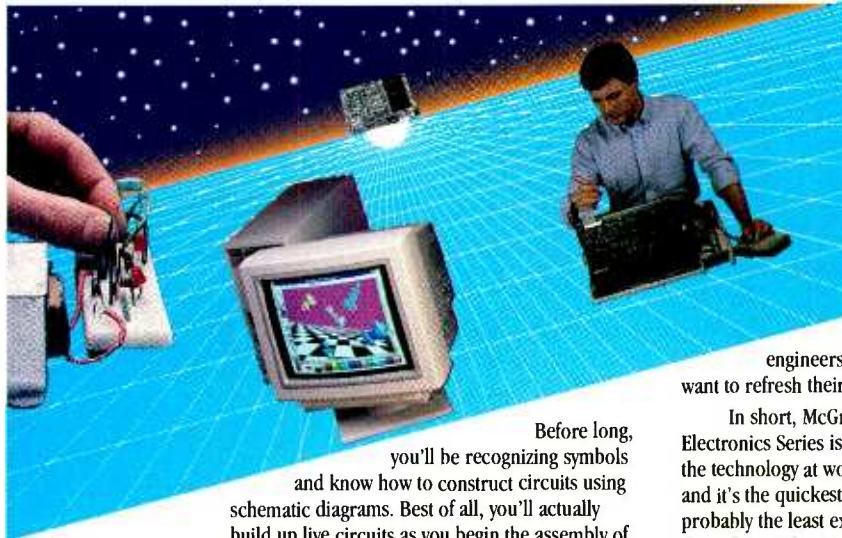
Unique interactive instruction

Your learning experience is reinforced through the integration of vividly illustrated text with actual electronic experiments. In fact, by the time you complete your sixth module, you will have assembled the McGraw-Hill Prototyping Design Lab, a breadboarding lab you'll use long after you complete the series for building up and testing prototype circuits. Your modules also feature indexed binders to preserve your text, backup materials, and notes for convenient referral.

Your adventure begins with Module 1

With your very first module, you'll begin to understand the technology behind today's most advanced computer systems.

You'll be introduced to basic electronics principles and discover the role of key electronic components, including resistors, capacitors, and transistors.



Before long, you'll be recognizing symbols and know how to construct circuits using schematic diagrams. Best of all, you'll actually build up live circuits as you begin the assembly of the McGraw-Hill Prototyping Design Lab.

Each module adds more to your expanding knowledge of computer electronics

Step by step, each module builds your knowledge and confidence. In all, 12 modules take you quickly from the basics to today's sophisticated computer concepts:

- ▶ Electronic Circuits and Components
- ▶ Semiconductors and Linear Applications
- ▶ Digital Logic Fundamentals
- ▶ Flip-Flops, Counters, and Registers
- ▶ Microcomputer Fundamentals
 - ▶ Mass Data Storage Systems
 - ▶ Data Communications
 - ▶ Graphics Display Systems
 - ▶ Embedded Microprocessor Controllers
- ▶ Print Technologies
- ▶ PC Servicing
- ▶ Local Area Networks

For anyone interested in computer electronics

McGraw-Hill's Computer Electronics Series is designed for anyone from hobbyist to professional. It's for

you if you're finding that computers are playing an increasingly important role in your work... if you're a teacher or trainer who wants an update in contemporary computer circuits... or if you're simply fascinated by today's computer technology and want to know more about it. It's even for electronics

engineers or computer technicians who want to refresh their skills.

In short, McGraw-Hill's Computer Electronics Series is an ideal way to understand the technology at work in today's computers... and it's the quickest, most convenient, and probably the least expensive way to do it. And the only one that gives you hands-on experience.

15-day no-risk trial

We invite you to prove to yourself that McGraw-Hill's Computer Electronics Series is all we say it is... without risk and without committing yourself in any way. Order today, and we'll send you your first module — Electronic Circuits and Components — for a free, 15-day examination. If you're not absolutely certain that this is an enjoyable as well as highly effective way to learn, simply return the module to us.

If you wish to continue, we'll ship the remaining modules automatically, about once a month, on the same Free Examination basis.

Order your first module today! And let McGraw-Hill guide you into the fascinating world of Computer Electronics.

**FREE 15-DAY TRIAL! SEND TODAY!
CALL 1-800-882-6383**

Computer Electronics Series

McGraw-Hill Continuing Education Center
4401 Connecticut Avenue, NW, Washington, DC 20008



YES! I'm interested in learning computer electronics and would like to examine the first module in the series. If I decide to keep it, I will pay just \$24.95 plus \$2.25 shipping and handling. I will then receive future modules automatically, one every 4 to 6 weeks, at the same low price and on the same 15-day Free Examination basis. There is no minimum number of modules I must buy, and I may cancel at any time simply by notifying you.

Name _____ (please print)

Address _____

City/State/Zip _____

Telephone (_____) _____ **2001-0494**

All orders subject to approval and payable in U.S. funds only. Available in U.S. and Canada only.

What Do These Prestigious Companies Have In Common?

Aerovox*
DC Film and RFI Suppression Capacitors,
AC Oil Capacitors, EMI Filters

AMP
Electrical/Electronic Connectors,
IC Sockets, PCB Switches

AMX CORPORATION
A TYCO GROUP COMPANY

MLC, Tantalum and Thin Film
Capacitors, Resistors,
Networks, Trimmers,
Oscillators, Resonators, Filters
and Piezo Devices

BERG
ELECTRONICS
High Density and Industry Standard
Connectors/Subsystems

BURNDY
an FCI Company
Electronic Connectors

CAROL
CAROL CABLE COMPANY INC.
Electronic and Electrical Wire and Cable
and Power Supply Cords

COLE FLEX
Tubing, Conduits, Hose, Sleeveings, Splices,
Insulation and Cable Harness Products

Communications Instruments, Inc.
Relays and Solenoid Relays

COOPER
Belden

Multi Conductor, Paired, Coaxial, Flat,
Fiber Optic, Instrumentation/Process
Control, LAN, Special Application Cables,
Power Supply Cords & Molded Cable
Assemblies

COOPER
Bussmann
Fuses, Fuseholders, Fuse Blocks,
and Fuse Accessories

CORNELL DUBILIER
Capacitors-Aluminum
Electrolytics, Mica, AC Oil, Film,
MICA Paper and Relays

A COMPANY OF
DALE
Dale Electronics, Inc.
Resistors, Networks, Oscillators, Displays,
Inductors & Thermistors

DI DANTONA INDUSTRIES, INC.
BATTERIES: Computer, Cordless
Phone, Scanner & R/C.
ANTENNAS: Cordless Phone (metal &
rubber), Scanner Bumpers,
Grommets and Stik-On Feet

DEARBORN
WIRE AND CABLE L.P.

EAT-N
Eaton Corporation, Commercial
& Military Controls Operation
Switches, Relays, Displays and Keyboards

A
GERNSBACK
PUBLICATION
Electronics Now Magazine

KOA SPEER ELECTRONICS, INC.
Resistors, SMT Tantalum Capacitors Inductors,
Resistor Networks, SMT Thermistors

MALLORY
North American Capacitor Company
Tantalums, Aluminums, Sonalors®
Ceramics, Films and AC's

Mtron
Quartz Crystal Clock Oscillators
and Special Hybrid Products

muRata ERIE
MURATA ERIE NORTH AMERICA
Monolithics, Discs, Variable Capacitors,
Oscillators, Potentiometers, RFI/EMI Filters,
Microwave, Surface Mount Capacitors

NTE
NTE ELECTRONICS, INC.
A WORLDWIDE REPUTATION FOR QUALITY, SERVICE AND VALUE
Semiconductors, Resistors,
Capacitors, Relays

Philips ECG
A North American Philips Company
Semiconductors, Test Equipment,
Relays, A/V Parts and
Chemicals

Quam
Loudspeakers and Commercial Sound
Products

ROHM
Rohm Electronics Division
Resistors, Ceramic Capacitors,
Transistors/Diodes,
Opto Components and IC's

SELECTA
Electrical/Electronic Products
Switches, Relays, Terminals,
Indicator/Pilot Lights, LED Indicators,
Test Clips, Test Leads, Cable Ties and
Heat Shrinkable Tubing

A COMPANY OF
SPRAGUE
Tantalum Capacitors, Wet & Foil
Capacitors, Resistor Networks,
Resistor Capacitors Networks, Filters

Switchcraft
A Raytheon Company
Switches, Connectors, Jacks, Plugs,
Jackfields & Audio Accessories

TECH SPRAY
Non-CFG Cleaners/Degreasers,
UV Cured Compounds, Swabs, Wipes,
Brushes, Wick, Cleanroom Supplies, and
Static Control Products.

They sell through distributors. They belong to the E.I.A. They belong on your vendor list.

Leadership in electronics is not just a matter of designing products better and manufacturing them better, but also of marketing them better. And the sponsors of this message understand that better service to customers *requires* effectively involving distributors as part of their marketing teams.

Distributor involvement means lower prices, quicker deliveries, better service over-all. The Buyer wins... the Seller wins.

Distributors help achieve marketing leadership. So does the manufacturer's involvement in the Components Group of the Electronic Industries Association. EIA fosters better industry relations, coherent industry standards, and the sharing of ideas, which helps one another *and* serves customers better.

In choosing your component supplier, look for the marks of leadership —

availability through distribution
membership in the E.I.A.



Electronic Industries
Association/Components Group
2001 Pennsylvania Avenue, N.W. 11th Floor
Washington, D.C. 20006
Phone: (202) 457-4930 Fax: (202) 457-4985

Committed to the competitiveness of the
American electronics producer

A new, high-power direct-broadcast satellite promises to change the way America looks at TV.

BRIAN C. FENTON



THE NEW AGE OF SATELLITE TV

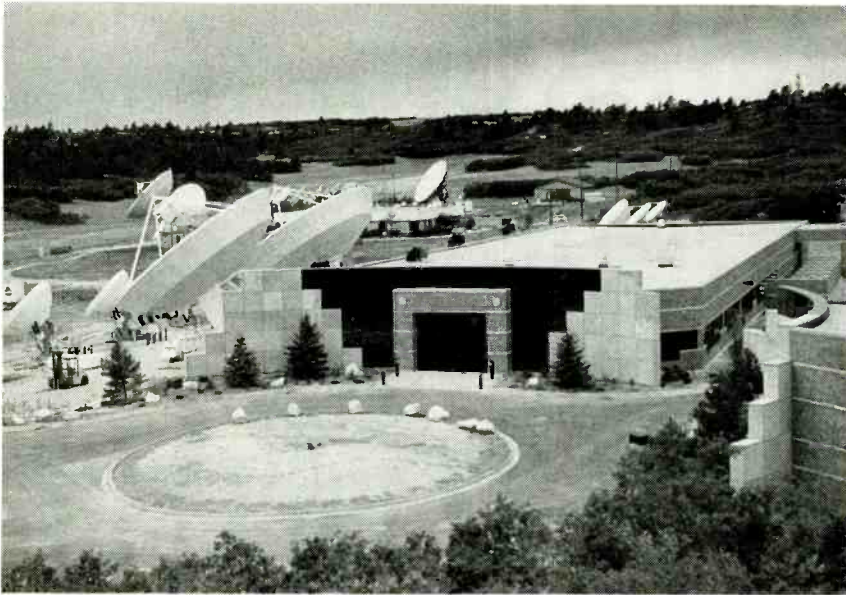
BEGINNING THIS APRIL, CONSUMERS IN THE U.S. will have another option for receiving television programming. A new direct-broadcast satellite, now in geosynchronous orbit, will begin beaming programming to satellite dishes only 18 inches in diameter. The digital signals will be decoded by an integrated receiver/descrambler which will reproduce them with "near-laserdisc quality." The programming, which will be available from two suppliers, will consist of up to 150 channels of cable networks, movies, sports, and pay-

per-view events. Audio programming with "compact-disc quality" will also be available.

Direct satellite broadcasting to small-dish antennas has been attempted several times since the FCC set aside a portion of the Ku band for high-power broadcasts in 1982. Although other proposed systems have never gotten off the ground, the Digital Satellite System or DSS already has. The first satellite of the two-satellite system was launched in December; the second is scheduled for launch in June.

A number of companies have joined forces—and invested over one billion dollars—to make the new satellite system a reality. Among the main players, Thomson Consumer Electronics is building the receivers and marketing them under its RCA brand name which it purchased from General Electric. Thomson is also developing the digital compression technology. Hughes Space and Communications Company built and launched the first satellite and is building a second one. Di-





DIRECTV'S PROGRAMMING WILL BE UPLINKED to the satellite from this facility, shown here under construction, in Castle Rock, Colorado.

recTV, Inc. a unit of GM Hughes Electronics, is one program distributor. United States Satellite Broadcasting or USSB, a subsidiary of Hubbard Broadcasting, Inc., is the second.

What can I watch?

DirecTV owns eleven of the sixteen transponders on the first DBS satellite and all sixteen transponders on the second satellite. USSB owns the other five transponders.

DirecTV will distribute many major cable services including CNN, the Discovery Channel, the Disney Channel, Encore, and six new Encore channels scheduled to begin operation this year. Other programming that can be purchased from DirecTV includes the Sci-Fi Channel, the Weather Channel, ESPN, and four channels from Turner Broadcasting.

Two pricing packages have been announced. All of DirecTV's basic services will be available as a package for \$21.95 per month. A premium package, that would include the Encore channels and any other premium service that sign on with DirecTV, will cost \$29.95 per month. (The company is actively trying to reach a distribution agreement with HBO and Viacom, which have signed an exclusive agreement with USSB.)

DirecTV also plans to offer pay-per-view movies and sporting events. It has reached agreements with several leading studios including Paramount Pictures, Columbia Pictures, TriStar Pictures, and Universal. Because of its channel capacity, DirecTV will be able to show popular movies on multiple channels, with starting times every half hour. Movies will be priced from \$0.99 to \$3.99.

Sporting events will also be offered, and they are expected to cost \$4 to \$6 on a per-game basis. Other pricing plans would allow subscribers to purchase season subscriptions for a team for about \$10 or \$12 per month. DirecTV also hopes to offer season subscriptions for an entire league. With as many as 30 channels set aside for sporting events, DirecTV is planning to offer "any game from any league on a pay-per-view basis," according to a company spokesman.

USSB will offer at least 22 channels of programming. Initially, its lineup will contain 14 premium channels (including multiplexed and time-shifted HBO, Cinemax, Showtime, and The Movie-Channel) and six basic-cable services. USSB will also provide two free, advertiser-supported services that will be available without restriction to everyone with a DSS home receiving system, whether or not they subscribe to any USSB service. According to USSB, the channels will include news, entertainment, public-service, and children's programming. They won't, however, be available when the service is initially launched.

DIRECTV PROGRAMMING

Monthly	
CBC Newsworld	ESPN
CNN	Family Channel
CNN Headline News	The Golf Channel
C-SPAN	The Learning Channel
C-SPAN2	The Nashville Network
The Cartoon Network	Northstar
Country Music Television	Sci-Fi Channel
Court TV	Superstation TBS
The Discovery Channel	TNT
Disney Channel	The Travel Channel
E! Entertainment Television	Turner Classic Movies
Encore	USA Network
Encore 2: Love Stories	The Weather Channel
Encore 3: Western	
Encore 4: Tweens	
Encore 5: Mystery	
Encore 6: Action	
Encore 7: True Stories	
Encore 8: Starz!	
Pay-Per View	
Paramount Pictures	
Columbia Pictures	
Sony Picture Classics	
TriStar Pictures	
Turner MGM Film Library	
Universal Pictures	

Just like these Fully Trained Electronics Professionals



"Thanks to CIE I have tripled my previous salary, and I am now in a challenging and rewarding new field where only the sky is the limit."

Daniel Wade Reynolds
Industrial Electrician
Ore-Ida Foods



"CIE was recommended to me by my boss. It was appealing since I could study at my own pace at home and during business travel."

Dan Parks
Marketing Manager/Consumer Products
Analog Devices, Inc.



"I loved the flexibility CIE offered. It was the only way I could continue both school and my demanding job."

Britt A. Hanks
Director of Engineering
Petroleum Helicopters, Inc.



"I liked the way the school was set up with laboratory assignments to enforce conceptual learning. The thing which impressed me the most about CIE's curriculum is the way they show application for all the theory that is presented."

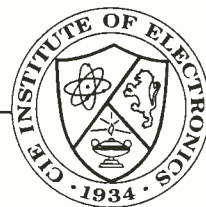
Daniel N. Parkman
Missile Electro-Mechanical Technician
U.S. Air Force



"Completing the course gave me the ability to efficiently troubleshoot modern microprocessor based audio and video systems and enjoy a sense of job security."

Tony Reynolds
Service Manager/Technician
Threshold Audio & Video

Graduate with an Associate Degree from CIE!



CIE is the best educational value you can receive if you want to learn about electronics, and earn a good income with that knowledge. CIE's reputation as the world leader in home study electronics is based solely on the success of our graduates. And we've earned our reputation with an unconditional commitment to provide our students with the very best electronics training.

Just ask any of the 150,000-plus graduates of the Cleveland Institute of Electronics who are working in high-paying positions with aerospace, computer, medical, automotive and communications firms throughout the world. They'll tell you success didn't come easy...but it did come...thanks to their CIE training. And today, a career in electronics offers more rewards than ever before.

CIE'S COMMITTED TO BEING THE BEST...IN ONE AREA...ELECTRONICS.

CIE isn't another be-everything-to-everyone school. CIE teaches only one subject and we believe we're the best at what we do. Also, CIE is accredited by the National Home Study Council. And with more than 1,000 graduates each year, we're the largest home study school specializing exclusively in electronics. CIE has been training career-minded students for nearly sixty years and we're the best at our subject...
ELECTRONICS... IT'S THE ONLY SUBJECT WE TEACH!

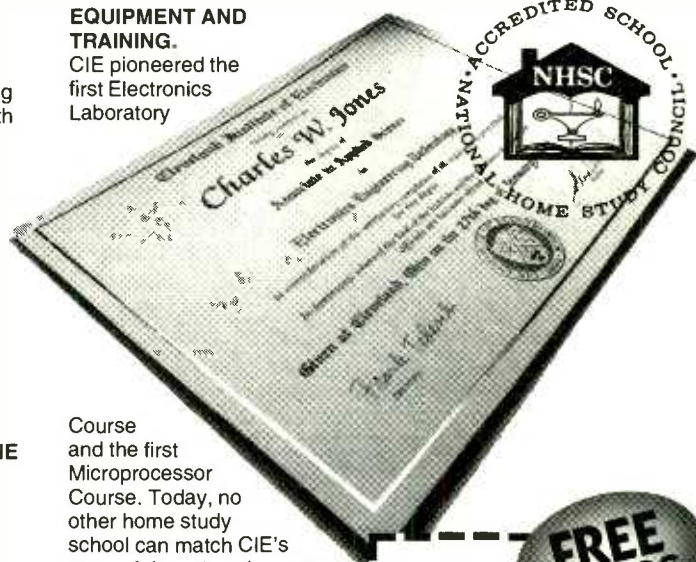
CIE PROVIDES A LEARNING METHOD SO GOOD IT'S PATENTED.

CIE's AUTO-PROGRAMMED® lessons are a proven learning method for building valuable electronics

career skills. Each lesson is designed to take you step-by-step and principle-by-principle. And while all of CIE's lessons are designed for independent study, CIE's instructors are personally available to assist you with just a toll free call. The result is practical training... the kind of experience you can put to work in today's marketplace.

LEARN BY DOING...WITH STATE-OF-THE-ART EQUIPMENT AND TRAINING.

CIE pioneered the first Electronics Laboratory



Course and the first Microprocessor Course. Today, no other home study school can match CIE's state-of-the-art equipment and training. And all your laboratory equipment, books and lessons are included in your tuition. It's all yours to use while you study and for on-the-job after you graduate.

PERSONALIZED TRAINING...TO MATCH YOUR BACKGROUND.

While some of our students have a working knowledge of electronics others are just starting out. That's why CIE has developed twelve career courses and an A.A.S. Degree program to choose from. So, even if you're not sure which electronics career is best for you, CIE can get you started with core lessons applicable to all areas in

electronics. And every CIE Course earns credit towards the completion of your Associate in Applied Science Degree. So you can work toward your degree in stages or as fast as you wish. In fact, CIE is the only school that actually rewards you for fast study, which can save you money.



YES! I want to get started.

Send me my CIE course catalog including details about the Associate Degree Program. (For your convenience, CIE will have a representative contact you - there is no obligation.)

Please Print Clearly

AE61

Name _____

Address _____

City _____

State _____ Zip _____ Age _____

Phone No. _____

Check box for G.I. Bill Benefits.

Veteran

Active Duty

Cleveland Institute of Electronics, Inc.
1776 East 17th Street
Cleveland, OH 44114

A School of Thousands.
A Class of One. Since 1934.

Send for CIE's FREE Course Catalog and See How We Can Help Your Career Too!

USSB PROGRAMMING

Premium Services

Cinemax East
Cinemax West
Cinemax 2
Flix
HBO East
HBO West
HBO2 East
HBO2 West
HBO3
The Movie Channel East
The Movie Channel West
Showtime East
Showtime West
Showtime 2

Basic Services

All News Channel
Comedy Central
Lifetime
MTV
Nickelodeon
VH-1

The price for monthly programming from USSB begins at \$7.95 for a package of six basic services: MTV, VH1, Nickelodeon, Comedy Central, Lifetime, and the All News Channel. For \$23.95, a "Showtime Plus" package includes all basic services plus Showtime East and West, Showtime 2, The Movie Channel East and West, and Flix. An "HBO Plus" package, which includes the East and West feeds of HBO and HBO2, HBO3, Cinemax East and West, Cinemax 2, and the basic services will cost \$24.95. All of the programming distributed by USSB is available for a monthly cost of \$34.95 under the name "USSB Premium Plus."

The agreements between USSB and HBO, and USSB and Viacom (Showtime and The Movie Channel) grants USSB the exclusive right to distribute the premium channels from the new DBS satellite. As a result, any consumer who wants, for example, both HBO and ESPN will have to order the services through both DirecTV and USSB.

According to Stanley E. Hubbard, USSB President and COO, the exclusive deals are an important way to distinguish between the two program providers. "Every DSS home will be able to have simple, and seam-



THE RCA DSS Digital Satellite System receiver is about the size of a VCR. It has a smart-card slot on its front panel.

less access to all the programming on the system, whether it's through DirecTV or USSB. So as far as we're concerned it's a non issue." Hubbard went on to say that if every cable system had two service providers, "I don't think that the Cable Act of 1992 ever would have been necessary."

If a consumer chooses to buy programming from both DirecTV and USSB, he will receive two bills. USSB doesn't see that as a drawback, because the bills will also distinguish between the two program providers. USSB also believes that it is important to send a bill that doesn't vary from month to month. According to Hubbard, USSB is "among the believers that DirecTV's pay-per-view offerings are going to be extremely successful and [therefore] there will be some wild swings from month to month. We're frankly afraid to share the bill with them because of that."

The DSS receiver

A DSS receiver is required for viewing any of the programming offered by DirecTV and USSB. Thomson Consumer Electronics developed the set-top integrated receiver/decoder (IRD) for its RCA DSS Digital

Satellite System. Low-volume production of the receiver began last December in Thom-

FINDING THE SATELLITE

To receive programming from the new direct-broadcast satellite, the dish must be able to "see" it. In general, the installation site must have a clear view of the southern horizon. The exact aiming coordinates vary from location to location as shown below. Note that the azimuth angles listed are compass headings, but they do not take into account the variation between true south and magnetic south. Call a local airport to find the magnetic deviation in your area.

City	Azimuth	Elevation
Atlanta, GA	207°	46.6°
Chicago, IL	199°	39.7°
Dallas, TX	188°	51.8°
Denver, CO	173°	44.0°
Des Moines, IA	191°	41.4°
Las Vegas, NV	157°	45.6°
Los Angeles, CA	150°	46.2°
Miami, FL	221°	51.6°
Nashville, TN	202°	45.6°
New Orleans, LA	201°	52.9°
New York, NY	211°	37.5°
Pittsburgh, PA	210°	38.4°
Portland, ME	221°	30.9°
St. Louis, MO	196°	44.0°
Salt Lake City, UT	163°	41.2°
Santa Fe, NM	171°	47.8°
Seattle, WA	151°	31.5°
Washington, DC	215°	38.4°
Wichita, KS	185°	46.3°

son's facility in Juarez, Mexico. A second high-speed assembly line will be completed by the middle of the summer, and will give Thomson the capacity to build about one hundred thousand receivers and digital cable boxes per month.

RCA has the exclusive rights to build and market the DSS receivers for eighteen months, or until one million units have been sold. After that, other manufacturers will offer DSS receivers. Sony is the first licensee of the DSS technology.

The digital receiver contains four new custom ICs, including the world's first high-volume decoder for the MPEG-2 compression system developed by the Moving Picture Experts Group.

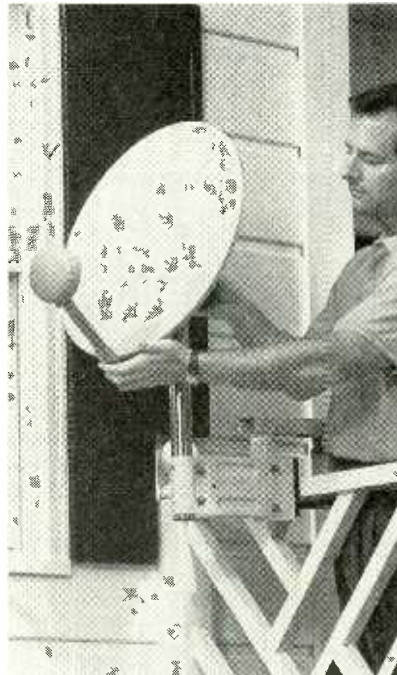
Initially, two DSS models will be available. The basic model is priced at \$699, and includes the IRD, an 18×20-inch parabolic dish/antenna, and a universal infrared remote control. Mounted at the focal point of the dish is a low-noise block down-converter (LNB) that receives the signals broadcast from the satellite in the 12.2–12.7 GHz band; it down converts them to a frequency of 950–1450 MHz. The output of the LNB is fed to the set-top IRD, which decodes the transmission and feeds it to a TV or monitor. Video, S-video, and RF (Channel 3 or 4) outputs are provided.

An upgraded system, priced at \$899, will include an LNB with two outputs so that a second IRD can be connected to the system. (A second receiver is required for recording one channel while the viewer is watching a second.) The upgraded receiver will also have two sets of video and two sets of stereo audio outputs. A more capable universal remote control, which can operate a VCR, cable box, laserdisc player, and a TV, will also be included in the step-up system.

Both IRDs include a 15-pin D-style connector on their rear panels for a high-speed data port. A second, 9-pin, low-speed serial data port is offered on the upgrade receiver. At this time, no data services have been announced.

The DSS receiver contains built-in switching so that a TV antenna or cable can be connected up to the system. Current FCC regulations do not permit network signals to be sent via DSS to areas where they can be received easily over the air.

The rear panel of the receiver also contains a modular phone jack. The phone connection is required so that monthly usage—especially pay-per-view events—can be reported to pro-



THE SMALL DISH ANTENNA required to receive digital signals from an orbiting should be easy to install. Thomson estimates that more than 90% of the nation's homes will have a clear line of sight to the satellite.



RCA TECHNICIANS TEST an early DSS receiver.

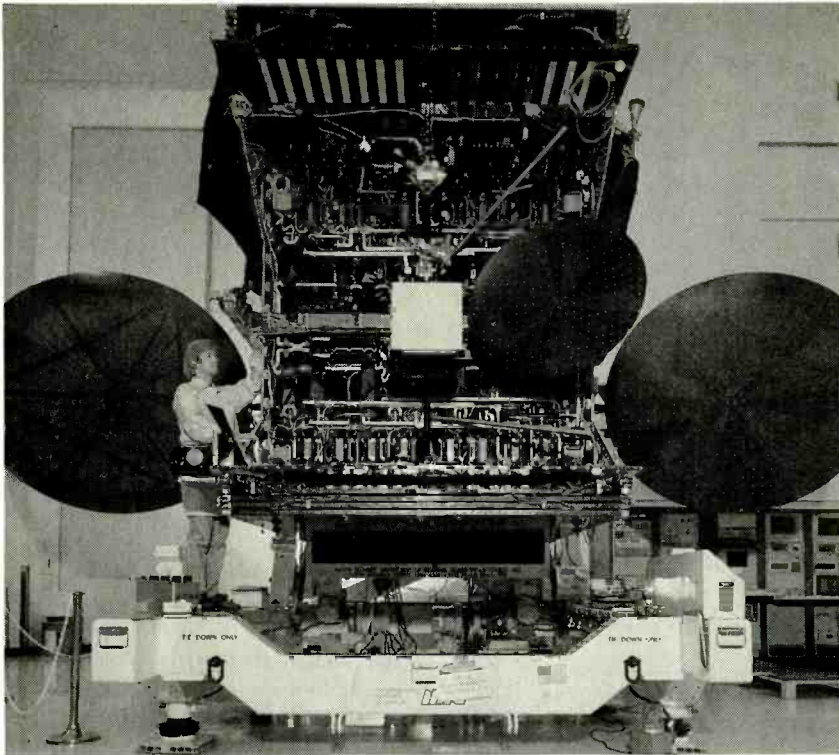
gramming providers. It can also ensure that the box hasn't been stolen or moved from its assigned address, which is important for regional program distribution.

The DSS user interface is an on-screen point-and-shoot menu. Thomson officials demonstrated a menu system that could be configured to show programming by category (sports, movies, and comedies, for example) or by time and programming service. The system also allowed the review of current billing information.

The receiver also has other programmable features. Favorite-channel scan lists can be created for up to three users—mom, dad, and kids, perhaps. The receiver also allows “pay-per locks and limits” to be set. Parents could, for example, program per-event spending limits or rating ceilings to prevent their children from accessing undesirable programs. The entire system can also be locked unless the proper four-digit code is entered.

The front of the receiver has a slot for “smart card” insertion. The smart card contains subscription and decoding information and records program purchases. The conditional-access encryption method was developed by News Datacom.

Although the small dish helps make a DSS system far easier to install than a conventional satellite system, Thomson recommends that it be installed by



THE FIRST HIGH-POWER DIRECT-BROADCAST SATELLITE shown here in its final assembly stages. It weighs about 3800 pounds.

professionals. (This expense is not included in the purchase price.) Nevertheless, the company will provide a do-it-yourself kit containing all necessary cables and hardware for \$69.95. A VHS video tape showing how to install the system is included.

Along with developing the receiver system, Thomson is also developing the digital compression hardware. Initially, programming from the satellite will be compressed in the MPEG-1 format. That format is the same one being used to put video on CD-ROM and CD-I discs. Thomson had hoped to have encoders for the improved MPEG-2 format ready for its product launch. Thomson executives say that assignment has proven to be more difficult than originally projected and—as of today—the company is behind schedule. When Thomson completes its developments of MPEG-2 encoders, broadcasts will shift to that compression scheme. All DSS receivers contain MPEG-2 decoders.

RCA executives like to point out their ability to shift from MPEG-1 to MPEG-2 as an example of the forward-compatibility

of the DSS system. According to James E. Meyer, an RCA senior vice president, "It has the capability for receiving 16×9 wide-screen-format TV signals as well as HDTV broadcasts once that revolutionary technology is in place. . . . There will be no cries of 'interim technology' with the introduction of RCA DSS."

The Hughes satellite

The first DBS satellite, called DBS1, was launched in December 1993 from Kourou, French Guiana aboard an Arian rocket. A second satellite, also a Hughes model HS-601, is scheduled for launch in June. It will be co-located with the first satellite in geosynchronous orbit at 101° west longitude. That location is one of only eight orbital slots, spaced 5° apart, that are available for DBS in North America. The satellite's high power and wide spacing make small diameter antenna reception possible. The 101° west slot is the prime orbital position available because it is centered over the U.S.

Each satellite has sixteen high-power (120-watt) tran-

sponders. By comparison, C-band satellites that distribute conventional satellite TV to antenna dishes that are typically seven to ten feet in diameter have an average power of 16 watts per transponder.

Each transponder on analog satellites can distribute several audio signals and one, or sometimes two, video signals per transponder. The 32 transponders on the two DBS satellites can distribute about 150 channels of programming, thanks to digital "compression" or bit-rate reduction. An exact number of channels can't be given because not all programming will be compressed the same way. The compression ratio for, say, a live sporting event would be much lower than for an old black-and-white movie. The frame rate of the source material—and the desired quality of the output—also affect the compression ratio that can be achieved. Hughes estimates that each transponder can broadcast up to four live video signals or up to eight movies simultaneously.

The amplifiers, according to Hughes, will amplify either analog or digital signals, and will be capable of transmitting HDTV signals and compact disc-quality audio. The uplink signals will be sent from the DirecTV Castle Rock Broadcast Center in Colorado. The facility will be capable of transmitting up to 216 simultaneous broadcast channels to the two satellites.

The satellites have an expected operational lifetime of about twelve years. Although the electronics on board will probably still be operating after that time, the spacecraft will run out of fuel. Geostationary orbiting satellites require propellants to ensure their precise positioning because the gravitational effects of the sun and moon can move them.

Will the service sell?

All of the companies involved in the DSS project are optimistic about its chance for success. The first target will be the ten million rural homes that

Continued on page 82

Build a professional looking function generator for your electronics workbench.

BUILD THE AUDIO WIZARD TEST GENERATOR



JOHN WANNAMAKER

EVERY TEST BENCH NEEDS A FUNCTION generator—without one, the bench is incomplete. This article describes the construction of the Audio Wizard, an inexpensive function generator that's loaded with features. It's perfect for filling that vacancy on your test bench.

Audio Wizard has a front panel not much larger than a dollar bill, and a small size to match. It has features usually found on many expensive units, yet the parts to build it should cost no more than \$175.00—and that's only if you have to purchase all the parts. A good spare parts collection might already contain most of the parts needed.

The Audio Wizard can produce sine, triangle, and square waves in two ranges at frequencies from 1 hertz to 20 kilohertz, as well as bursts of both sine and square waves. Ramp and pulse outputs are available in two ranges with widths adjustable from 1 millisecond to 4 seconds. The unit has an internal sweep generator of sine, triangle, or square waves from 1 hertz to 1 kilohertz and from 20 hertz to 20 kilohertz. The built-in frequency counter for monitoring output frequency can also monitor an external input and act as an events counter. X-Y outputs can be applied to your oscilloscope with a stop-

sweep feature for a frequency readout at any point of interest during the sweep.

Circuitry

The frequency counter is a SUB CUB II unit manufactured by Red Lion Controls (20 Willow Springs Circle, York, PA 17402), and it's available from Digi-Key. The counter module, shown in Fig. 1 as MOD1, has a 0.35-inch high, six-digit liquid-crystal display. Pulses at 1-second intervals are derived from the AC power line which has a typical accuracy of 99.99 percent. Transistor Q5 and a 4518 dual synchronous counter, IC7, square and then count the 60-hertz line frequency to produce 1 pulse per second that triggers a 50-microsecond one-shot multivibrator, IC8-a, which produces negative-going pulses to update the counter unit. Those pulses also trigger a 5-microsecond one-shot multivibrator (IC8-b) which resets the synchronous counter.

Op-amp IC9 and associated components condition any signal present at the external input jack J5. The maximum frequency input at J5 is 500 kHz. A 50-millivolt peak-to-peak signal is sufficient up to 100 kHz.

In the events mode, when rotary switch S1-c is in mid position, the counter is held in a

constant update condition and no reset pulse can be generated. Any input pulse of 0.5 volt or more with a width of 0.5 millisecond will advance the readout one count.

In Fig. 2, an XR 2206 function-generator chip made by EXAR (IC1) provides a triangular output at pin 2 when S1-a is open. With S1-a positioned so that potentiometer R1 is in the circuit, both R1 and R2 can be adjusted for a sinewave output with 0.5 % or less harmonic distortion.

While IC1 can also produce a square wave, that waveform can create glitches at the peaks of triangle and sine waves. To eliminate that possibility, op-amp IC3-a is configured as a comparator to square triangle and sine waves. Circuit values limit the rise and fall times to eliminate unwanted glitches.

Pin 7 of IC1, the frequency-control input, is at a DC reference level of about 3 volts. The voltage is buffered by IC2-a and applied across 10-turn frequency-adjust potentiometer R20. SWEEP switch S2 selects either the wiper of R20 or the internal ramp voltage to be isolated by IC2-b and applied back to pin 7 of IC1 through a network consisting of current-limiting resistor R23, diodes D3 through D7, and R16.

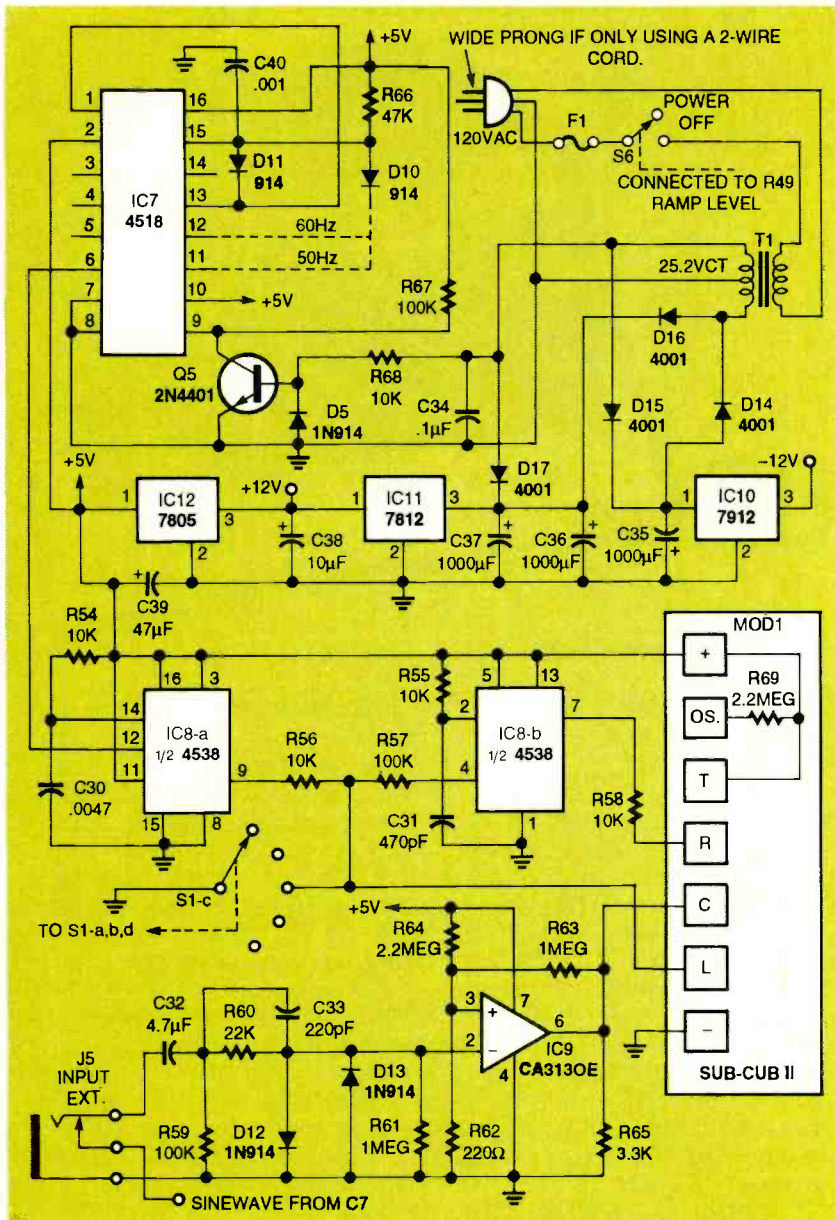


FIG. 1—THE COUNTER MODULE (MOD1) has a 0.35-inch high, six-digit liquid crystal display. Pulses at 1-second intervals are derived from the AC power line which has a typical accuracy of 99.99 %.

The adjustable gain of op-amp IC4-a is provided by DB switch S3 and resistors R31–R33. All output adjustment levels of R24 are considered to be 0 dB. The two spring-return positions of S3 give either a 2 dB gain or a 3 dB loss. When the 0 dB and – 3 dB levels are set to appropriate oscilloscope graticule lines, many other points to – 40 dB can be extrapolated as can be seen in Fig. 3. DC offset is applied to the non-inverting input of IC4-b to avoid affecting signal level and be totally independent of LEVEL

control R24 and DB switch S3. Capacitors C3 and C4 determine the frequency limits of the high range: about 20 Hz to 20 kHz. When S1-b connects C5 and C6 in parallel with C3 and C4, those components determine the low-frequency range limits of 1 Hz to 1 kHz. Bursts of both sine and square waves are created when a positive pulse is applied to the anodes of D1 and D2. That prevents IC1 from oscillating without affecting the DC level at pin 2 about which the waveform varies.

Figure 4 contains a dual CMOS version of the familiar 555 timer (IC5). Each timer's output triggers the other's input. After transistor Q2 gives IC5-a a kick start on initial power-up, the circuit continues to oscillate (one timer is on while the other is off). Timing capacitors C20 and C21 charge through constant-current source Q1. The linear voltage rise across the capacitors is isolated by IC6-a, a very high input impedance op-amp.

The sweep voltage to IC1 is the linear charge across C20 and C21, so the sweep, or charging action, can be stopped when spring-loaded switch S5 is moved to the HOLD position. This also stops waveform ramp formation. Ideally, the voltage on the capacitors would not change at that time. However, capacitor leakage will affect the charge.

Fortunately, the change is slow enough to be able to get a frequency readout accurate within 0.2 % if the second update after pressing HOLD is applied. The hold feature will be especially useful with a very slow sweep and with X-Y oscilloscope operation where the ramp output will be the sweep for the oscilloscope. Frequencies at or near the beginning and end of sweep can be determined. The HOLD switch can be jogged so that the sweep moves across the CRT in many small steps. Either the low- or high-frequency range can be swept, and the waveform can be sine, triangle, or square.

The pulse current is amplified as the outputs of IC5-a and IC5-b alternately turn on Q4 and Q3. If resistor R45 is replaced with a short circuit (a length of wire), the J3 output can drive 10 TTL loads. Rise and fall times are about 300 nanoseconds. The same WIDTH switch (S4) affects both ramp and pulse operation; ramp width controls the burst time and pulse width controls the dead time.

Construction

For those who wish to make their own PC board, foil patterns are included in this arti-

cle. However, a ready-to-use PC board and silkscreened front panel are available from the source given in the Parts List. Following the parts-placement diagram in Fig. 5, solder all components and DIP sockets on the board. Double check your work before continuing.

If you plan to buy the silkscreened front panel, it must be used with the same enclosure as the prototype. Complete instructions for fitting the controls on the front panel and for fitting the board in the specified enclosure are included with the front panel order. If you intend to use a different enclosure and front panel, it's up to you to decide on an appropriate layout, although you might want to make it similar to the prototype.

Regardless of the enclosure

and front panel you use, mount all controls on the front panel and wire them to the board as shown in Fig. 5. Clip off the orientation tab from each potentiometer so that it fits flat against the inside of the front panel. The shafts of most of the potentiometers specified have the correct length. However, you must cut the plastic shaft of R20 to the same length as the other shafts before mounting it.

Place the completed front panel face down and the completed PC board component-side up so that its front edge is at least $\frac{5}{8}$ inch from the bottom of the front panel. Maintain that spacing as you wire from panel to board with different colored wire. The SUB CUB counter unit mounts on a small PC board. Solder connections to that board before snapping it on

the counter module. You can make your own mounting board with the foil pattern provided here. Prepare the SUB CUB mounting board by soldering 2.2-megohm resistor R69 in place as shown. Solder one end of five 4-inch flexible wires to the counter mounting board and the other ends to the main board as shown in Fig. 5. Do not snap the module into its mounting board until all wiring is complete.

Mount transformer T1 on the inside of the rear panel. Drill ventilation holes and a hole for the power cord. Slide the rear panel into the slots on the enclosure's bottom shell. If you're using the recommended enclosure, mount it to the molded stubs with No. 4 \times $\frac{5}{8}$ sheet-metal screws in two places. When the transformer and PC

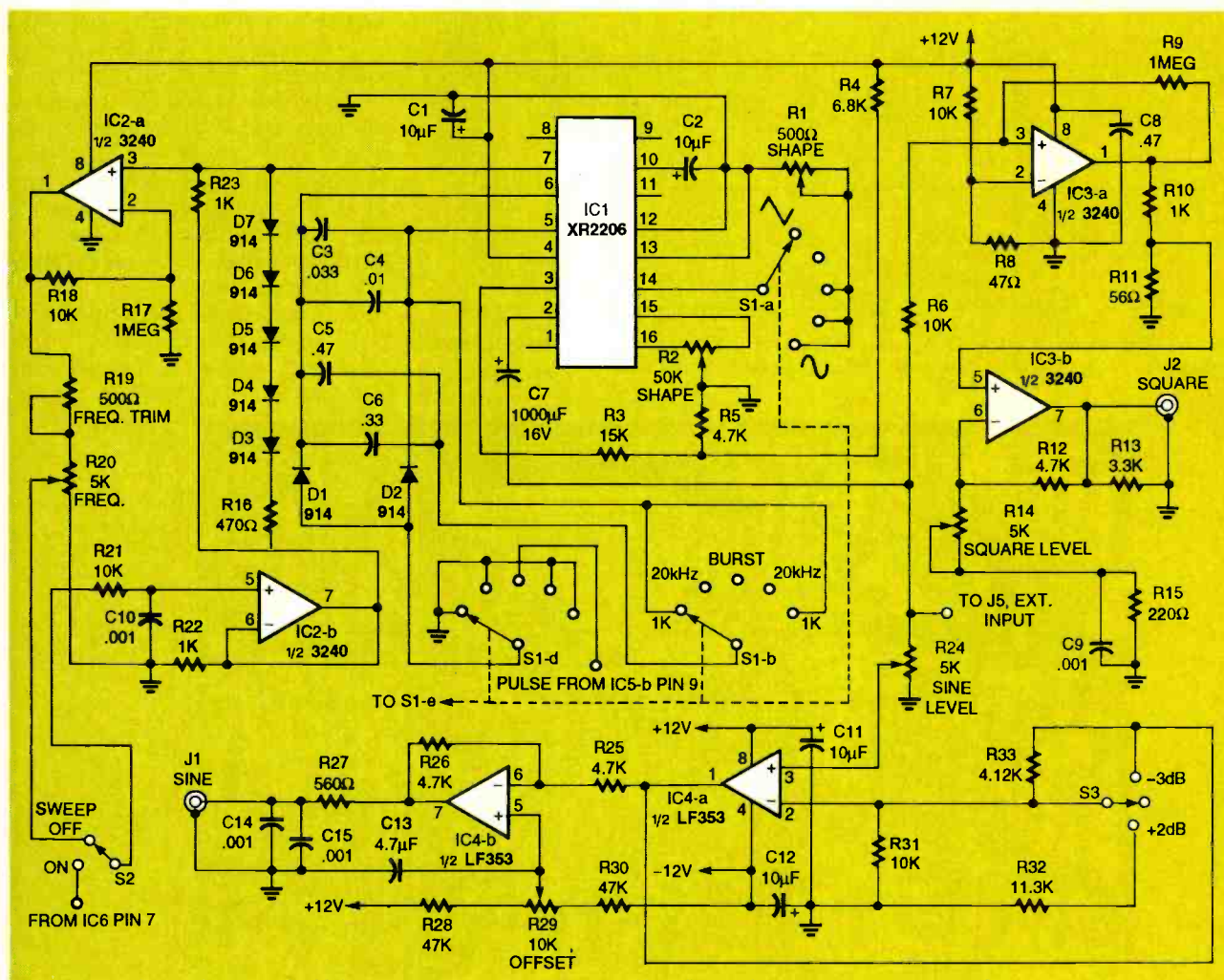


FIG. 2—AN XR 2206 FUNCTION-GENERATOR CHIP provides a triangle output at pin 2 when S1-a is open.

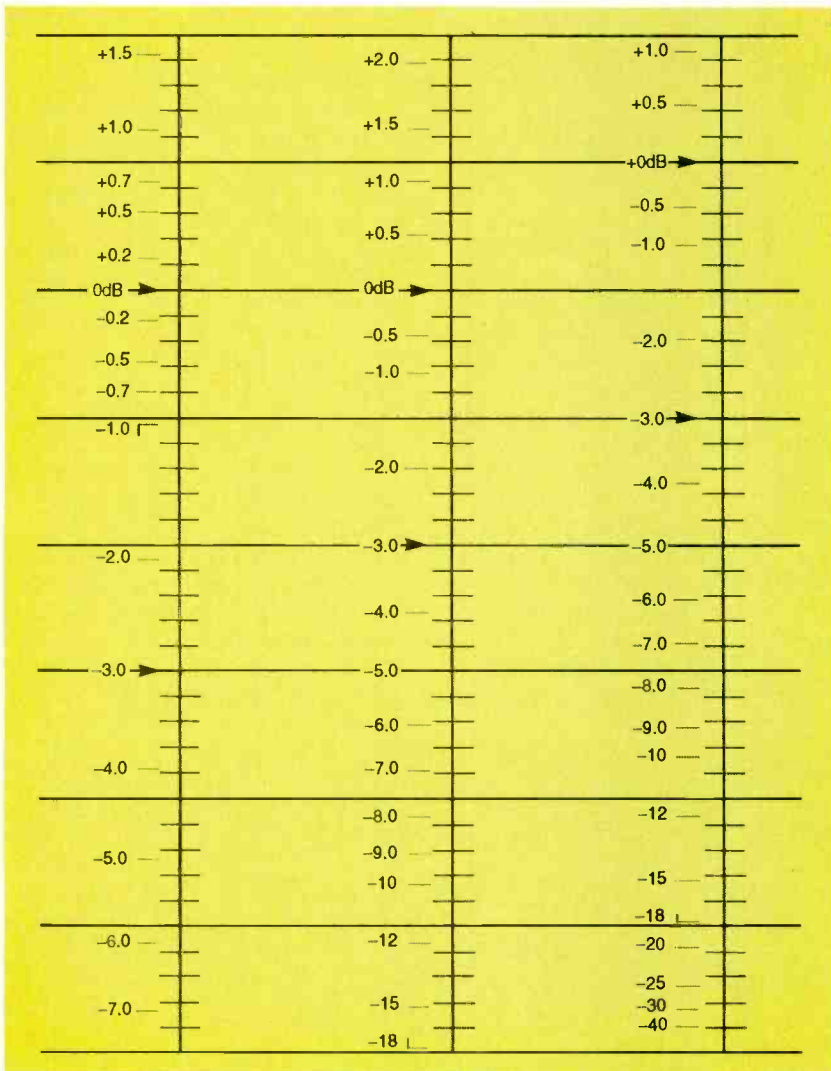


FIG. 3—WHEN THE 0 dB AND -3 dB LEVELS are set to appropriate oscilloscope graticule lines, many other points to -40 dB can be extrapolated.

board are in place, cut the transformer leads long enough to reach the board. Enlarge any PC-board holes as required to accept the transformer and power cord wires.

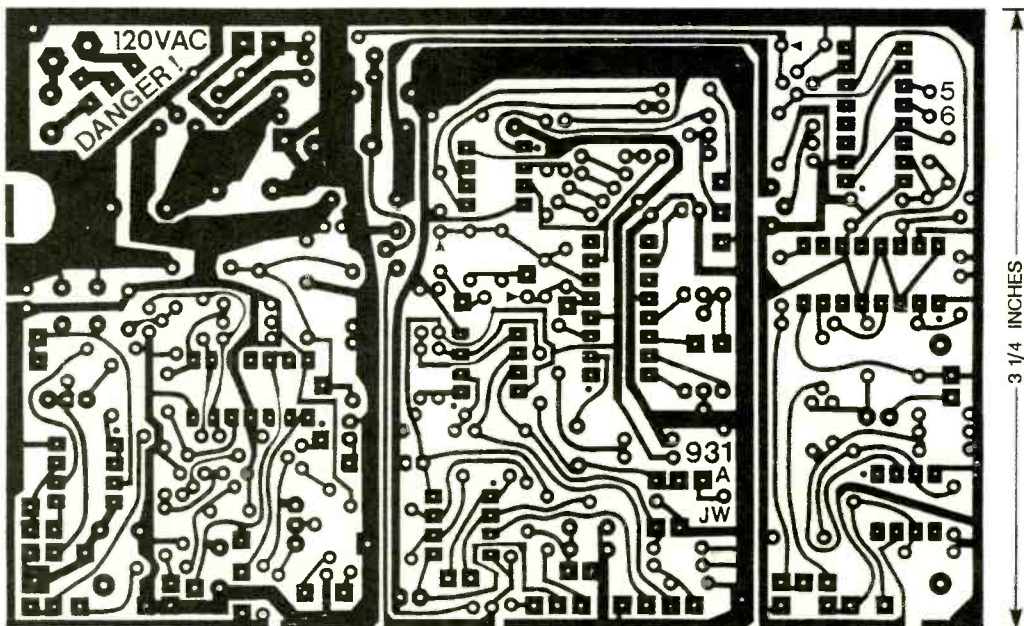
When all wiring is complete, snap the SUB CUB unit onto its mounting board. Insert two 2-56 x 3/4 machine screws in the holes on each side of the display cutout. Hold them in place with nuts. Slide the SUB CUB mounting board over the screws so that the counter fits flat against the inside of the panel. If there is any mechanical interference from the nuts, cut away some plastic on each side of the SUB CUB unit. Add two more nuts to hold the counter in place. Notice that the tilt handle on the prototype is not made for the enclosure; it must be purchased separately and adapted to fit. Figure 6 shows the inside of the prototype unit.

Checkout

Do not insert any ICs into their sockets until instructed to do so.

Insert the 0.315-ampere fuse (F1). Preadjust on-board trimmers R1 and R2 to mid position and all other trimmers fully counterclockwise.

Adjust an oscilloscope for 2 milliseconds/division, 2 volts/division, and a DC input. Con-



nect the test probe to pin 3 of 7812 regulator IC11; the metal tab of this regulator is a convenient ground point. (Note that the tab of IC10 is *not* at ground potential!)

Set automatic triggering for the oscilloscope and move the trace to the bottom graticule line. Turn RAMP LEVEL control clockwise; this also turns on the power. Plug the line cord into an AC outlet. The oscilloscope should indicate +12 volts from IC11 with no visible ripple.

Next check the voltage at pin 3 of IC12 (the 7805) and pin 3 of IC10 (7912); these should read +5 and -12 volts, respectively, with no visible ripple. If all voltages are correct, leave power on for 30 seconds and carefully check each regulator tab for overheating. A warm tab is acceptable, but none of them should be hot to the touch. If they are, it indicates a probable short that must be cleared.

Unplug the power cord and wait 20 seconds for all voltages to decay. Insert IC7, IC8, and IC9 in their sockets. Set S1 to the 1 kHz sinewave position. Reapply power and check each IC for heat emission over the next 10 seconds. No device should get hot, an indication that one might have been inserted backwards. The frequency display should show a single "0."

Unplug the power cord again. Connect one lead of a non-polarized capacitor (any value from 0.01 to 0.1 μ F) to the anode of D15. Connect the other lead to the junction of diodes, D12 and D13, and restore power. Within 3 seconds, the display should show steady reading of 120 Hz (100 Hz for 50-Hz line).

If you have any problem with the readout, the suggestions will help. The collector of Q5 should show a 60-Hz square

wave varying from 0 to near +5 volts. Pin 1 of IC7 should have a +5-volt pulse occurring once every 100 milliseconds. Pin 6 should have a pulse occurring once per second.

Put the FUNCTION/RANGE switch in the burst position. The display should show a continuous fast count upwards, and it should count to well above 10000 within 90 seconds. By selecting any other position than burst, the display should again be 120 Hz. Remove the temporary capacitor connecting D15 to D12 and D13.

Turn off power and, after the voltages decay, insert IC1-IC4 into their sockets. Set the SINE/TRIANGLE OFFSET to mid position, SINE/TRIANGLE/SQUARE FREQUENCY fully counterclockwise and then one turn clockwise, SQUARE LEVEL and SINE/TRIANGLE LEVEL to mid position, FUNCTION/

RANGE to 20 kHz sinewave, and SWEEP to off.

Set the oscilloscope for an AC input, position the trace on the middle graticule line, and set 0.5 volt/division and 0.1 millisecond/division, and reapply power. The oscilloscope should display about 4 cycles of a sine-like waveform of more than 1-volt p-p. Trigger the oscilloscope as necessary. The frequency readout should indicate about 4000 Hz.

If a problem exists, check the following points: Pin 7 of IC1 and pin 1 of IC2 should be at approximately +3-volts DC. The counterclockwise terminal of the FREQUENCY control potentiometer (R20) should be approximately 2.85 volts DC. The wiper terminal of R20 and pin 5 of IC2 should be about 2.5 volts DC, and both should vary smoothly from near 0 volt with

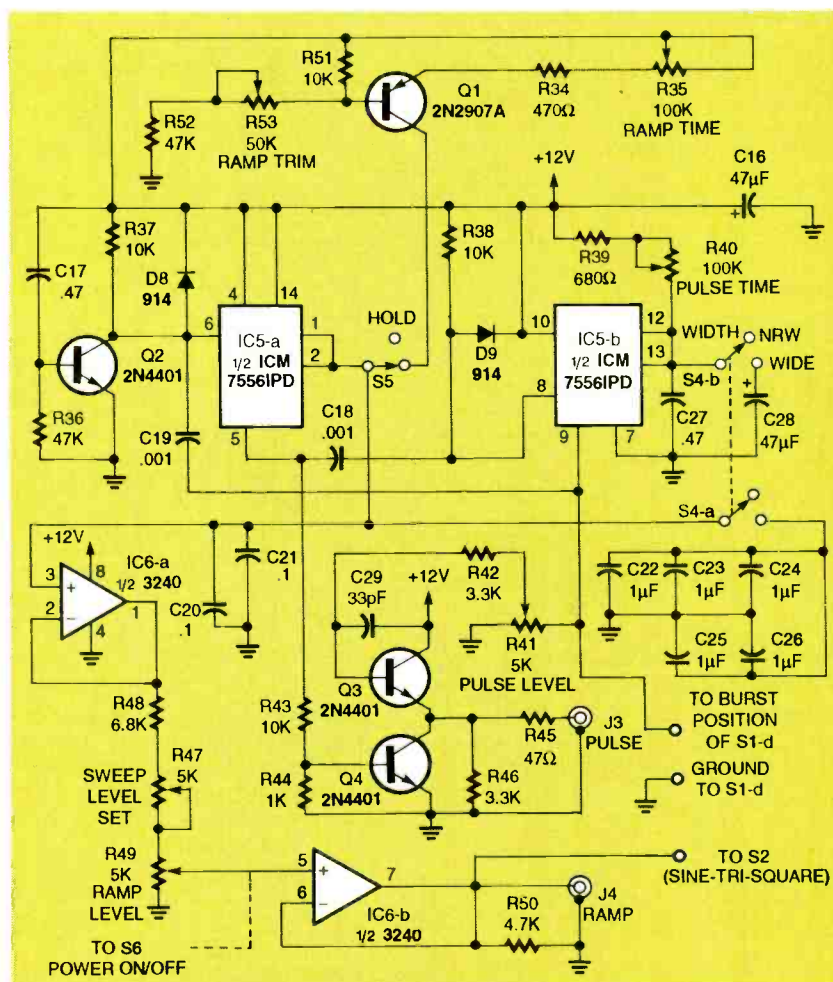
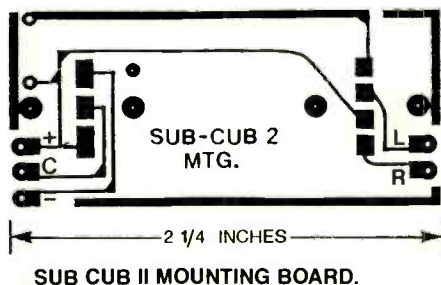
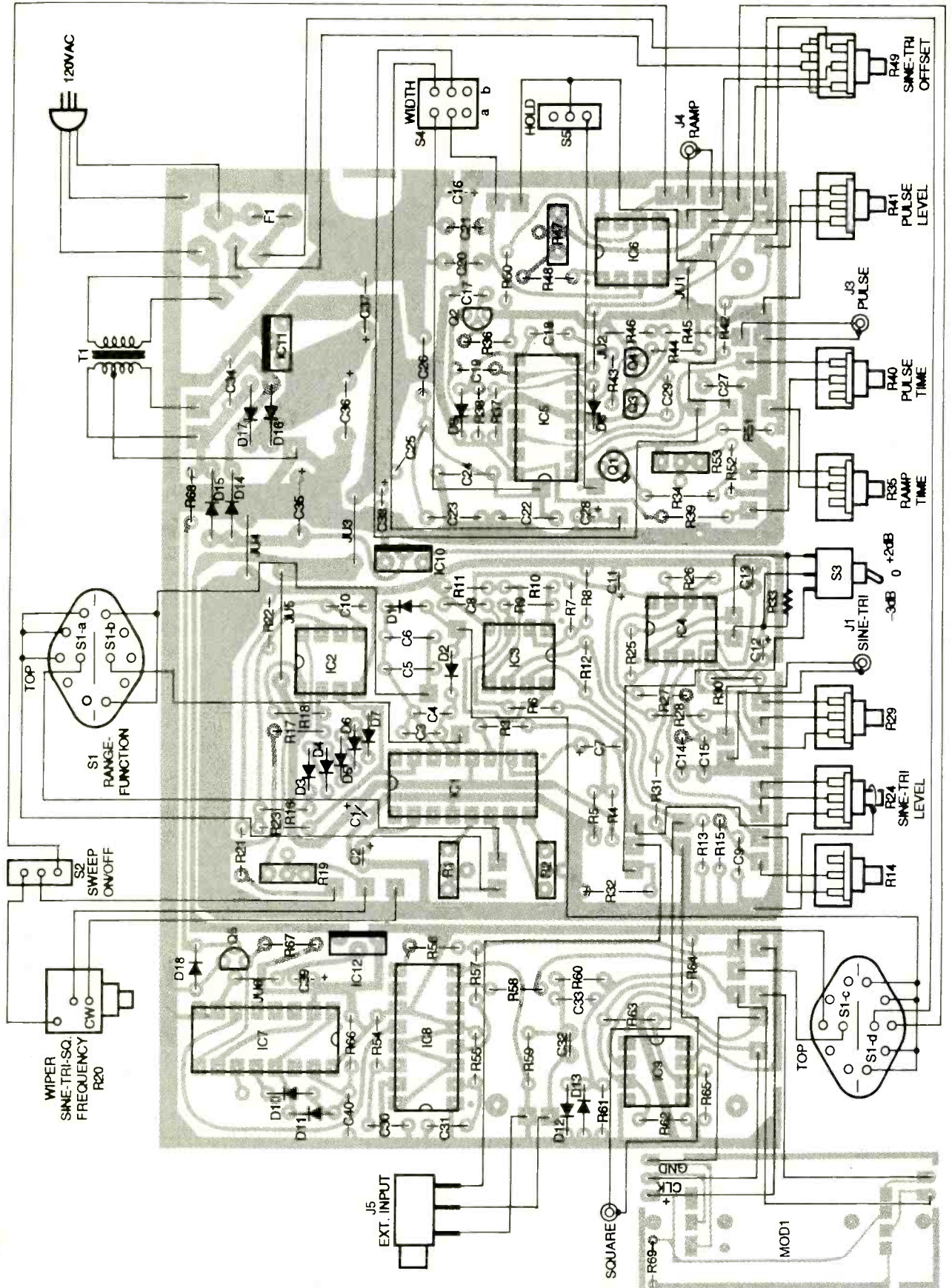


FIG. 4—A DUAL CMOS TIMER'S (IC5) output triggers another timer's input. Once Q2 starts IC5-a on initial power-up, the circuit continues to oscillate.



46 FIG. 5—PARTS-PLACEMENT DIAGRAM. Install all ICs in DIP sockets.

PARTS LIST

All resistors are 1/8-watt, 5%, unless otherwise noted.

R1—500 ohms, single-turn trimpot, 1/4 or 3/8 inch square
 R2—50,000 ohms, single turn trimpot, 1/4 or 3/8 inch
 R3—15,000 ohms
 R4, R48—6800 ohms
 R5, R12, R26, R26, R50—4700 ohms
 R6, R7, R18, R21, R37, R38, R43, R51, R54—R56, R58, R68—10,000 ohms
 R8, R45—47 ohms
 R9, R17, R61, R63—1 megohm
 R10, R22, R23, R44—1000 ohms
 R11—56 ohms
 R13, R42, R46, R65—3300 ohms
 R14, R24, R41—5000 ohms, 16mm panel-mount potentiometer
 R15, R62—220 ohms
 R16—470 ohm
 R19—500 ohms, 3/8-inch square upright multiturn trimmer
 R20—5000 ohms, 10-turn precision potentiometer
 R27—560 ohms
 R28, R30, R36, R52, R66—47,000 ohms
 R29—10,000 ohms, 16mm panel-mount potentiometer
 R31—10,000 ohms, 1/4 watt, 1%
 R32—11,300 ohms, 1/4 watt, 1%
 R33—4120 ohms, 1/4 watt, 1%
 R34—470 ohms, 1/4 watt
 R35, R40—100,000 ohms, 16mm panel-mount potentiometer
 R39—680 ohms, 1/4 watt
 R47—5000 ohms, 3/8-inch square upright multiturn trimmer
 R49—5000 ohms, 16mm panel-mount potentiometer with switch (S6)
 R53—50,000 ohms, 3/8-inch square upright multiturn trimmer
 R57, R59, R67—100,000 ohms
 R60—22,000 ohms
 R64, R69—2.2M, 1/8 watt
Capacitors
 C1, C2, C11, C12—10 μ F, 25 volts,

electrolytic
 C3—0.033 μ F, 50 volts, metal film
 C4—0.01 μ F, 50 volts, metal film
 C5, C8, C17, C27—0.47 μ F, 50 volts, metal film
 C6—0.33 μ F, 50 volts, metal film
 C7—1000 μ F, 16 volts, electrolytic
 C9, C10, C14, C15, C18, C19, C40—0.011 μ F, 50 volts, polyester
 C13, C32—4.7 μ F, 25 volts, non-polarized electrolytic
 C16, C28, C39—47 μ F, 16 volts, electrolytic
 C20, C21, C34—0.1 μ F, 50 volts, metal film
 C22—C26—1 μ F, 50 volts, metal film
 C29—33 pF, 100 volts, ceramic disc
 C30—0.0047 μ F, 50 volts, polyester
 C31—470 pF, 100 volts, ceramic disc
 C33—220 pF, 100 volts, ceramic disc
 C35—C37—1000 μ F, 25 volts, electrolytic

Semiconductors

IC1—XR2206 function generator (Exar)
 IC2, IC3, IC6—CA324OE dual op-amp (Harris)
 IC4—LF353 dual op-amp (National)
 IC5—ICM7556IPD dual CMOS timer (Harris)
 IC7—4518 dual CMOS counter
 IC8—4538 dual CMOS monostable
 IC9—CA3130 CMOS op-amp (Harris)
 IC10—7912 -12-volt regulator
 IC11—7812 +12-volt regulator
 IC12—7805 +5-volt regulator
 D1—D13, D18—1N914 diode
 D14—D17—1N4001 diode
 Q1—2N2907A PNP transistor
 Q2—Q5—2N4401 NPN transistor
Other components
 J1—J4—BNC panel jack with ground tab
 J5—3.5mm jack with N.C. switch

S1—4-pole, 5-position rotary switch (2 decks)
 S2—SPDT miniature toggle switch
 S3—SPDT miniature momentary toggle switch with center-off
 S4—DPDT miniature toggle switch
 S5—SPDT miniature toggle switch, one side momentary
 S6—SPST switch (part of potentiometer R49)
 T1—power transformer, 120-volt primary, 24-volt center-tapped secondary, 300 milliamps
 F1—TR5 subminiature fuse, 0.315-amps
 MOD1—SUB CUB II display counter (Red Lion Controls, 20 Willow Springs Circle, York, PA 17402)
Miscellaneous: TR5 fuse socket, polarized power cord, knobs for 1/4-inch shaft (0.6-inch maximum diameter), enclosure (PAC TEC #CM6-300K, black), tilt handle (Hammond Mfg., for box #546-1598C), multicolored ribbon cable, 5 8-pin IC sockets, 1 14-pin IC socket, 3 16-pin IC sockets, PC board, solder, etc.

Note: The following items are available from John Wanamaker, Rt. 4, Box 550, Orangeburg, SC 29115:

- PC board, silkscreened front panel, and packet of construction drawings (panel may be available for only one year following publication)—\$34.00 ppd. USA, money orders only (Canadian customers, \$35.00 ppd., postal money orders only)

- Construction drawing packet—\$4.00 ppd. USA, money orders only (Canadian customers, \$4.50 ppd, postal money orders only)

SC residents must add 5% tax. Allow 4 weeks for delivery.

R20 turned to its maximum clockwise position to 2.85 volts DC at the maximum counterclockwise position. Return R20 to a setting of 1 turn clockwise after performing this last check. Pin 2 of IC7 should now show a sinewave of more than 2-volt p-p that varies around a DC level of +6 volts.

With a sinewave output at jack J1, alternately adjust R1 and R2 for the best sinewave shape—equal areas and amplitudes above and below the zero

line. The SINE/TRIANGLE LEVEL control should vary the output from 0 to 3-volts p-p.

Adjust SINE/TRIANGLE/SQUARE FREQUENCY control fully clockwise. The frequency should increase to at least 20,000 Hz. (The last 1 or 2 turns of the potentiometer might cause the frequency to drop by 200 Hz or so.) If 20,000 Hz cannot be reached, either the capacitance value of C3 or C4 is too high.

Adjust SINE/TRIANGLE/SQUARE FREQUENCY control fully coun-

terclockwise. The frequency should drop to about 2000 Hz. Adjust R19 clockwise until the frequency is 20 Hz. The frequency can drop to 0 if R19 adjusted too far.

Rotate the FUNCTION/RANGE switch to 20 kHz triangle. Maximum output at J1 should be about 6-volts p-p. The waveform will not have ideally sharp transitions at its peaks. Switch to the 1-kHz ranges for triangle and then sine waves. Both shapes should be clear except

for a slight curvature of the triangle wave.

Adjust for a 5 kHz sinewave at J1. Switch the oscilloscope to DC input at 2 volts/division, and position the trace across the middle graticule line. Adjust SINE/TRIANGLE LEVEL fully clockwise and trigger the oscilloscope to verify that it moves the sinewave up and down 2 volts. With the SINE/TRIANGLE OFFSET, position the trace so that the sinewave varies equally above and below the middle graticule line. Position the knob on the offset control shaft so that it points to the mid-position marking when there is no offset.

Adjust the oscilloscope for 0.2 volts/division, 2 milliseconds/division, and AC input. With the generator at 5 kHz, adjust SINE/TRIANGLE LEVEL and the oscilloscope's vertical positioning control for a peak-to-peak sinewave that covers exactly 7.9 vertical graticule spaces. Flip S3 to -3 dB and hold it there; the sinewave should now cover 5.6 graticule spaces. Readjust the 0 dB level to cover 6.2 spaces. Flip S3 to the +2 dB position and hold it there. The peak-to-peak amplitude should increase to cover 7.8 spaces. The output of J2 should be a square wave, adjustable via the SQUARE LEVEL control from +1 to near +10 volts.

IC5 can stop oscillation due to an irregularity in the potentiometer when varying RAMP TIME or PULSE TIME, or when the burst mode is selected. You can restore oscillation by turning the power off for 10 seconds before turning it on again.

Unplug power and wait for the voltages to decay. Insert IC5 and IC6 in their sockets. Adjust RAMP TIME, PULSE TIME, RAMP LEVEL, and PULSE LEVEL to mid range. Set the WIDTH switch to "narrow" and SWEEP to "off." Set the oscilloscope for 2 volts/division, 20 milliseconds/division, and a DC input. Position the trace for 0 volts on the bottom line, and set triggering for negative edge.

Observe the pulse at J3; at least two pulses of about 5 volts should be seen. Trigger the os-

cilloscope as required. Vary the PULSE LEVEL control to see that amplitude varies from 0 to +10 volts. Vary the RAMP TIME control to see that it controls the time between pulses. The PULSE TIME should control pulse duration.

Adjust RAMP TIME and PULSE TIME to their maximum counterclockwise position. Change the oscilloscope to 0.5 milliseconds/division and adjust triggering for a steady display of 5 or more pulses. Adjust R47 so

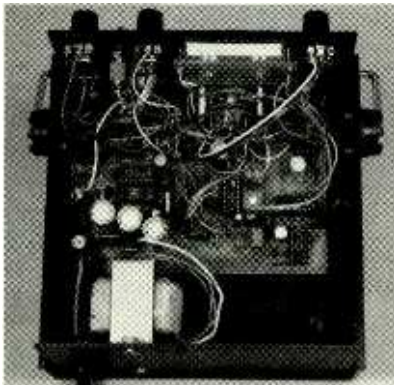


FIG. 6—HERE'S THE INSIDE of the prototype unit. It's a tight fit in the specified enclosure.

that the time between pulses is 1 millisecond.

Adjust RAMP LEVEL to the maximum clockwise position. Change the oscilloscope input to 0.5 volts/division. Observe the ramp output at J4; several ramps should be seen, each lasting 1 millisecond. The PULSE TIME should control the time between ramps. While observing the ramp, adjust R47 so that the ramp's peak amplitude is 3 volts.

The proper ramp amplitude varies depends on the characteristics of the XR2206 chip selected, and R47 should be adjusted as follows: Set the SINE/TRIANGLE/SQUARE FREQUENCY control for 20 Hz on the 20-kHz range. Measure the DC voltage at pin 7 of IC2 and then readjust R47 for a ramp peak that equals the pin-7 voltage.

Adjust RAMP TIME and PULSE TIME for a ramp that lasts 10 milliseconds and for a time period between ramps of 10 milliseconds. Readjust the oscilloscope for 5 milliseconds/division. Adjust SINE/TRIANGLE/SQUARE FREQUENCY to 285 Hz.

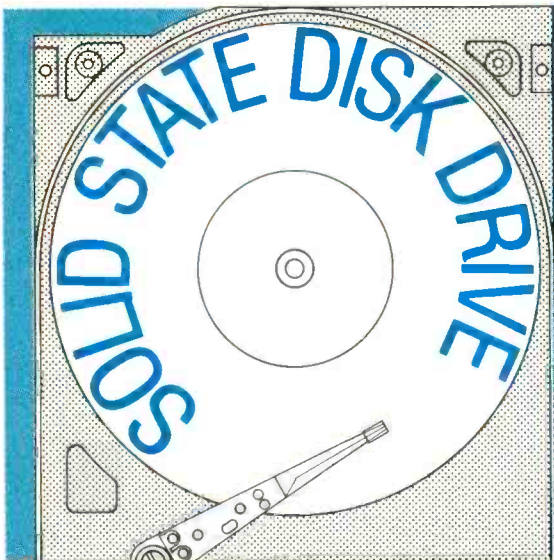
Select the burst position of the FUNCTION/RANGE switch. Observe the output at J1; the oscilloscope should display burst groups with three cycles in each group. If the oscilloscope does not trigger correctly on the bursts, trigger it externally with the pulse output.

Set the FUNCTION/RANGE switch to the 1-kHz sinewave position. Adjust the output to any convenient level. Set the SWEEP switch to "on." You should observe the sinewave sweeping from about 1 kHz at the far left to 10 Hz or less at the right. The RAMP TIME control affects the length of the sweep. It is best to trigger the oscilloscope with the pulse. A slight lowering of the RAMP LEVEL control will raise the lowest frequency at the right of the trace. If the burst mode is selected while the SWEEP switch is "on," the sweep will automatically be on the 20-kHz range, and the sweep will be from near 20 kHz at the left to 20 Hz at the right.

The best arrangement for using the HOLD switch is to set the oscilloscope in the X/Y mode with the generator's ramp providing sweep for the oscilloscope. Not all oscilloscopes achieve X/Y operation in the same way. Refer to your oscilloscope's manual to determine how your model does this.

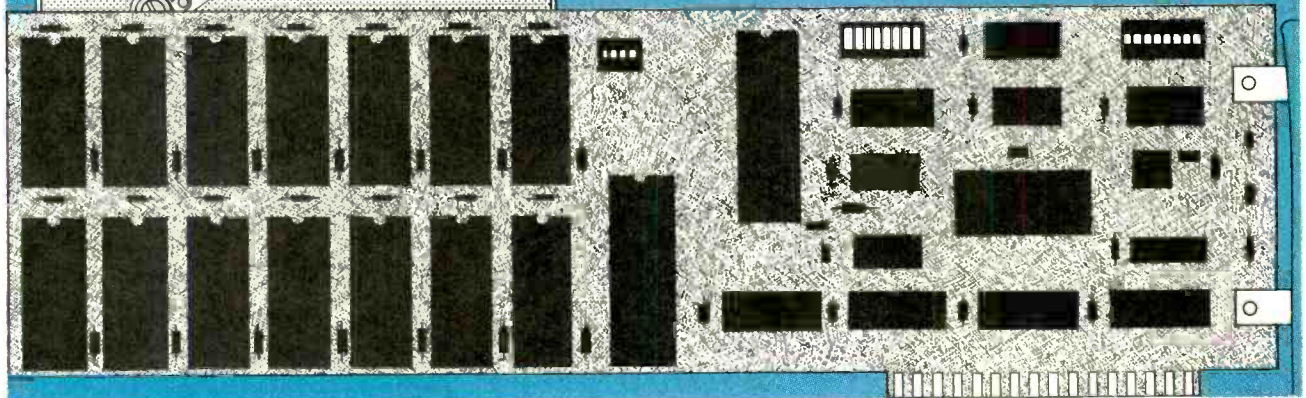
Select "wide width" and adjust RAMP TIME fully clockwise; this should give a sweep of about 4 seconds. Once you have X/Y operation, press HOLD several times during the sweep. The trace should stop and you can get a frequency readout of that point. Try both the 20-kHz and 1-kHz ranges. Whenever you set sweep, the square wave is also being swept. A digital oscilloscope does not have X/Y capability in its memory mode. The best arrangement in using one is to adjust the oscilloscope's internal sweep to match that of the generator.

This completes the checkout procedure. Your function generator should now be ready to give you faithful service and it will be a valuable addition to your workbench. Ω



Add a bootable RAM drive to your PC!

MARK HATTEN



AS IN MOVIES. SO IN ELECTRONICS. This article is a sequel that details the construction of a PC expansion card called the SRAM Drive II. In case you missed it, the original (**Radio-Electronics**, July and August 1990) provided an innovative circuit that allowed you to use a static RAM (SRAM) like an EPROM. You could write a program and copy it to a battery-backed SRAM, where it would remain even when the computer was turned off. With the appropriate code in the SRAM, you could even "hook" special software into the BIOS (basic input output system) during boot. The original design provided a password-protection feature that prevented the PC from booting unless the correct password was entered.

SRAM II extends the idea. It uses the SRAM-based boot-ROM concept, but this time a disk emulator is hooked into the PC's BIOS. In general, the SRAM drive functions like any other PC-based disk drive. It

does, however, have a few special features. For one, it's battery-backed, so its contents won't disappear when power goes off. Second, it can be made bootable!

SRAM II is designed to be the heart of an embedded system. Accordingly, it has enough semiconductor storage to hold a good-sized application: a maximum of 1.8 megabytes, supplied by fourteen 128K × 8 SRAMs.

The boot ROM can hold as much as 16 kilobytes of code, stored in either a common EPROM (27128 or 27256) or in a 43256 SRAM fitted in a special battery-backed "Smart Socket," made by Dallas Semiconductor. With the SRAM configuration being battery-backed, it is possible to enable and disable operation—and even change boot software—on the fly!

Partial and complete kits, as well as bare boards, are available. See the Parts List for pricing and other information concerning the kits.

How it works

The circuit consists of the following major components:

- PC-bus signal buffering
- I/O port decoding
- Upper memory segment-decoding unit
- Two 8255 peripheral interface controllers (PICs)
- An array of static memory.

The SRAM II buffers the PC address-bus signals with IC5, IC8, and half of IC4, as shown in Fig. 1. The circuit also buffers the data bus and several control signals, as shown in Fig. 2. Control signals include I/O Read ($\overline{I/O}R$), I/O Write ($\overline{I/O}W$), Reset (RST), and DMA enable (AEN). Note that Memory Read ($\overline{MEM}R$) is buffered (by IC10-c), but Memory Write ($\overline{MEM}W$) is not. This setup is not good practice, but it does not compromise signal quality here. (Cautious readers might want to buffer $\overline{MEM}W$ using some of the spare gates shown in Fig. 5.—*Editor*)

The real heart of the circuit appears in Fig. 3. The gates, decoders, and DIP switches there

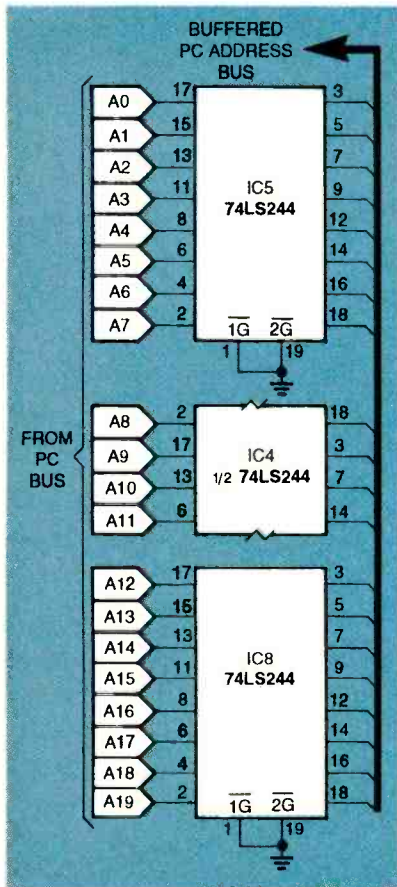


FIG. 1—ADDRESS BUS BUFFERING appears here. The other half of IC4 drives several control signals; that is shown in Fig. 2.

allow you to set board operation so it occurs at addresses that do not conflict with other equipment you might have installed in your PC.

I/O port decoding is accomplished by IC6, IC7, IC9, and IC10. Pin 3 of IC9-a is normally low, but whenever there is an I/O read or write, it goes high. If, in addition, AEN is low (there is no DMA activity), then IC9-b is high. In this case, both inputs to IC10-a are high, so its output also goes high.

Now look at IC7, a 4-bit comparator whose A=B output goes high when all four input bits, A0-A3, are equal to all four corresponding input bits, B0-B3. In practice, this means that the CPU address lines A5-A8 must be equal to the values set by the DIP switch S3. In addition, the PC bus address line A9 must be high.

The net effect of that circuitry is to define the base I/O port at which the SRAM circuitry will

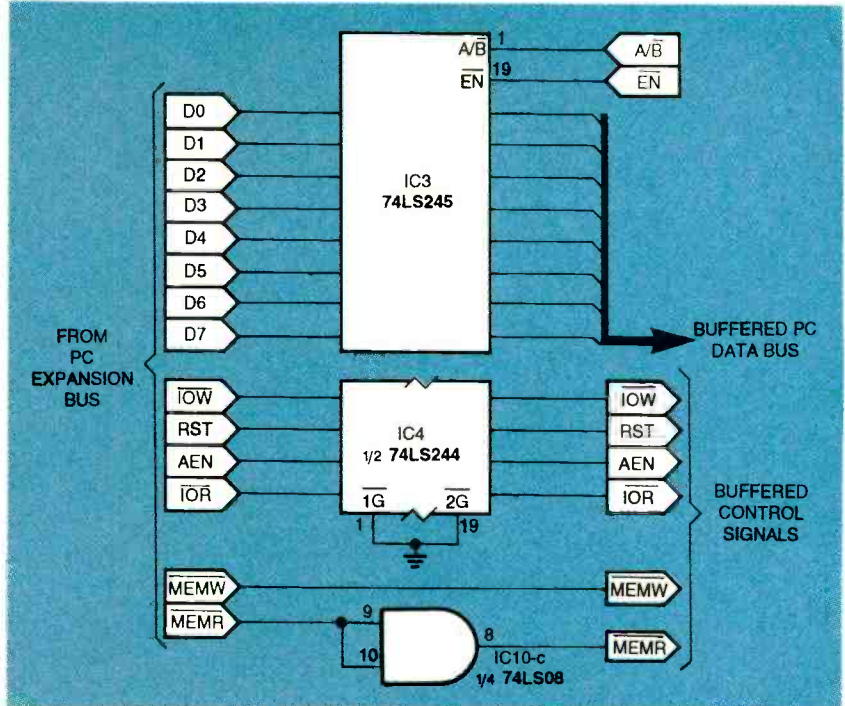


FIG. 2—DATA BUS AND CONTROL SIGNAL BUFFERING is shown here. Note that the memory-write line is unbuffered.

TABLE 1—S3 DETERMINES 32-BYTE BASE ADDRESS

Base Address	S3-a	S3-b	S3-c	S3-d
512	1	1	1	1
544	0	1	1	1
576	1	0	1	1
608	0	0	1	1
672	0	1	0	1
704	1	0	0	1
736	0	0	0	1
768	1	1	1	0
800	0	1	1	0
832	1	0	1	0
864	0	0	1	0
896	1	1	0	0
928	0	1	0	0
960	1	0	0	0
992	0	0	0	0

be decoded. The base address, as set by address line A9, is 512; depending on which switch positions of S3 are set, that values increase by 32 (512, 544, ... 992), as shown in Table 1. In conjunction with 1-of-8 decoder IC6, DIP switch S1 further narrows the decoded address to an eight-byte segment within the 32-byte block, as shown in detail in Table 2.

Now return to the decoding. When the address-bus value equals the value set by the DIP switches, and when either I/O

Read or I/O Write goes active, and AEN is inactive, IC9-c goes low, IC10-b goes low, and that in turn enables data-bus transceiver IC3 (shown in Fig. 2). Transfer direction (into or out of the CPU) is determined by the state of IC3 pin 1, which is in turn driven by IC10-d (refer to Fig. 3 now), which is normally thought of as an AND gate. However, in this case, IC10-d functions as a 2-input negative OR gate—when either input goes low, the output goes low. In other words, when the CPU

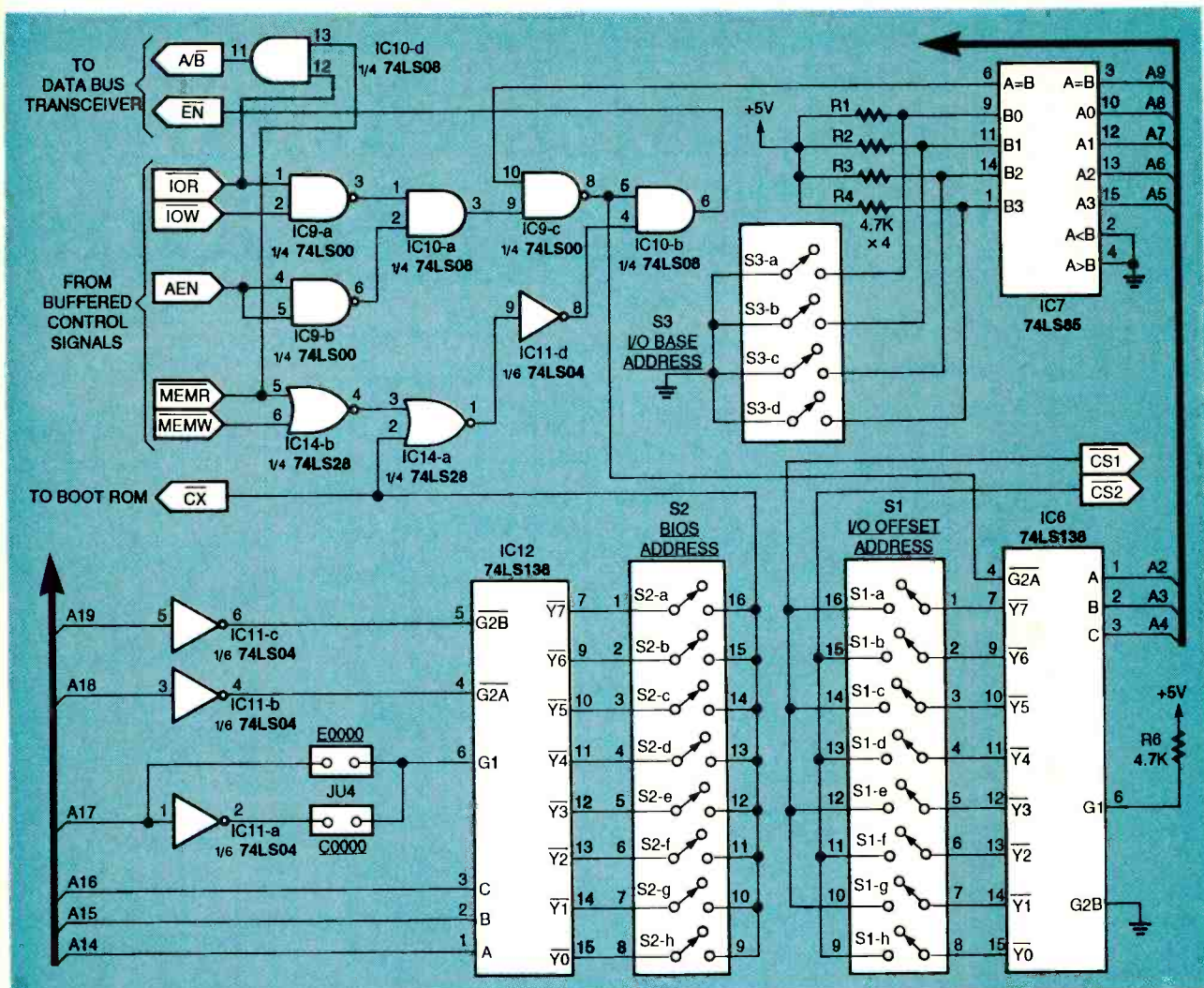


FIG. 3—ADDRESS AND I/O PORT DECODING occurs here. The DIP switches permit the selection of a base I/O address, an offset I/O address, and a memory-segment address to which the boot SRAM can be addressed. Logically, S1 is a 2P4T switch that provides the two chip selects that drive the 8255s shown in Fig. 4.

TABLE 2—S1 DETERMINES 8-BYTE OFFSET

On Positions				Standard Usage
1+2	3+4	5+6	7+8	
512	520	528	536	GAME PORT
544	552	560	568	
576	584	592	600	
608	616	624	632	
640	648	656	664	
672	680	688	696	
704	712	720	728	
736	744	752	760	COMM2
786*	776	784	792	
800	808	816	824	HDISK CNTRL
832	840	848	856	
864	872	880	888	LPT
896	904	912	920	
928	936	944	952	MONO ADAPT
960	968	976	984	CGA ADAPT
992	1000	1008	1016	FLOPPY/COMM1

reads either memory or an I/O port, and the proper decoding occurs as discussed earlier, the CPU can read whatever is on the SRAM II's data bus.

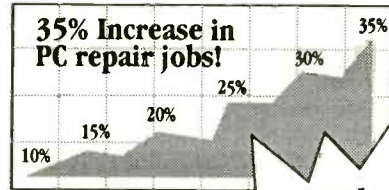
The other input to IC10-b comes from IC11-d, which is in turn driven by IC14-a. Its inputs come from two sources: high-order address decoder IC12 (by way of DIP switch S2), and the or'ed output of IC14-b. That gate goes high whenever there is either a read from or a write to system memory. Therefore, by tracing from IC14-b to IC14-a to IC11-d to IC10-b, you can see that data-bus transceiver IC3 can be enabled in a second way—when there is a system memory access.

I/O port decoding is done in two steps. DIP switch S3 sets a base address, and DIP switch S1 sets an 8-byte offset. Although S1 consists of eight individual

Only ICS gives you the fastest, most powerful computer

Get into a money- in personal

The U.S. Dept. of Labor states that many highly-qualified computer repair technicians are earning over \$30,000 a year. And the PC repair field is targeted for higher-than-average growth throughout this decade and beyond!



Train at home to enter one of the fastest-growing, highest-paying computer careers!

Only ICS, the world's leader in home study, gives you hands-on training with a high-performance 486DLC IBM-compatible computer with Cyrix microprocessor, color monitor and internal modem so you master the latest techniques and innovations in PC servicing and repair. You get the same high-quality training taught at vocational and trade schools but without spending years attending classes. You can complete your training in just months...you'll even be able to start making money doing repair jobs before you finish your course.

DOS 6.0

Complete with the Doublespace storage expansion program and Microsoft™ Anti-Virus Program.

PC Repair Video
Shows you how to repair the most common PC malfunctions.

COURSE INCLUDES ALL THIS & MORE

Our computer specialists have spared no effort in ensuring that this is the finest PC repair course available through home study.

Compare ICS training—you get better equipment/lower tuition!

Don't be confused by other schools that try to duplicate ICS training. Check the facts by sending for our free information package.

With our course you receive all the professional equipment shown above...you learn every facet of PC trouble-shooting and repair...and you receive an accredited ICS Career Diploma that identifies you as a qualified PC Service Technician. Employers know ICS because of the over 10 million men and women who have trained with us. All this—better equipment, better instruction—for less tuition than other home-study PC repair courses!

You receive a 486DLC IBM-compatible personal computer system!

This is the new, faster, 486 technology you've heard about—it's all you'll need to learn PC servicing and repair. Step by step you're taught how to troubleshoot, repair/replace all of the major components of this amazing system.

PC Tool Kit Includes screwdrivers, chip inserter/extractor, torx screwdriver, nut drivers, insulated tweezers and more.

ICS hands-on training is the key to your successful future in PC repair!

ICS knows the only way to learn PC repair is by actually getting inside the computer. That's why we've included a top-quality PC tool kit and diagnostic equipment. You receive practical, real-world computer servicing experience on your 486DLC computer using the professional tools and diagnostic hardware and software that's included with your course. Everything is explained in step-by-step detail...from the basics of computer maintenance to advanced microcomputer technology. No other school gives you PC repair training this thorough, this complete.

available from any comparable home-study course!

making career computer repair

State of the Art, Powerful 486DLC Technology

- Cyrix's 486DLC/33MHz microprocessor greatly outdistances Intel's 486SX/25 in benchmark testing
- Cyrix's FasMath Cx83D87™ performance-leading coprocessor for true 486 speed.
- Plus an 80 MB IDE Hard Disk Drive and 1MB of expandable RAM!
- 2400 baud internal modem
- 1Kb internal cache plus a high-speed 64Kb external cache
- access to ICS Online with numerous exciting services to choose from
- 256+ color capacity SVGA high-resolution monitor



Professional Diagnostic Card and Diagnostic Software
Enables you to locate and repair almost any computer problem.

Digital Volt-Ohm Milliammeter
Provides voltage, current and resistance measurements, and checks for circuit malfunctions.

The only home-study PC Repair Course that includes a 486DLC/33MHz computer, professional tools & test equipment, Microsoft® DOS™ 6.0 and Windows™, and the exclusive ICS On-Line PC Network!

This latest version of DOS has several innovative new features including the data compression system, which allows you to double the storage capacity of your hard drive, and an anti-virus program that can detect and remove over 800 different computer viruses. You also receive Microsoft Windows, the applications management software that makes working with any application a quick and easy task. And as part of your complete PC repair training ICS gives you FREE SOFTWARE so you can access ICS ONLINE—your electronic campus—via the America Online PC network. With ICS Online, you have the option of "talking" with your instructors and your fellow students...exchanging ideas, performing job searches, discussing PC repair techniques and much more—all without leaving your PC! No other home-study school offers you this kind of "up-close and personal" interaction—because no other home-study school has an on-line computer network.

Your career in PC repair begins with the big, full-color FREE information package we send you. Get all the facts you need on our revolutionary PC repair course. Send for free information that describes how ICS training can start you toward a high-paying career as a PC Service Technician.

Mail the postage-paid card at left today. If card is missing, mail coupon below.

OR CALL TOLL FREE:
1-800-596-5505 Ext. 2814
Call Anytime—24 hours a day, 7 days a week.



Learn to service and repair every type of personal computer!
ICS makes you competent with the latest technology in personal computers, so you'll be able to handle any computer servicing job that comes your way. You'll learn how to set up and configure PC systems...how to replace central processing unit (CPU) components, hard drives, floppy drives, keyboards, monitors and printers...how to detect and deal with computer viruses...how to upgrade PCs by installing modems, graphics cards, coprocessors, additional memory and much more.

ICS School of Computer Training,
SINCE 1890 Dept. PDES348, 925 Oak Street, Scranton, PA 18515

YES! Please send me free facts that tell how I can train at home to learn PC repair. I understand there is no obligation and no salesman will visit me.

Name _____ Age _____

Address _____ Apt. # _____

City/State _____ Zip _____

Phone (_____) _____

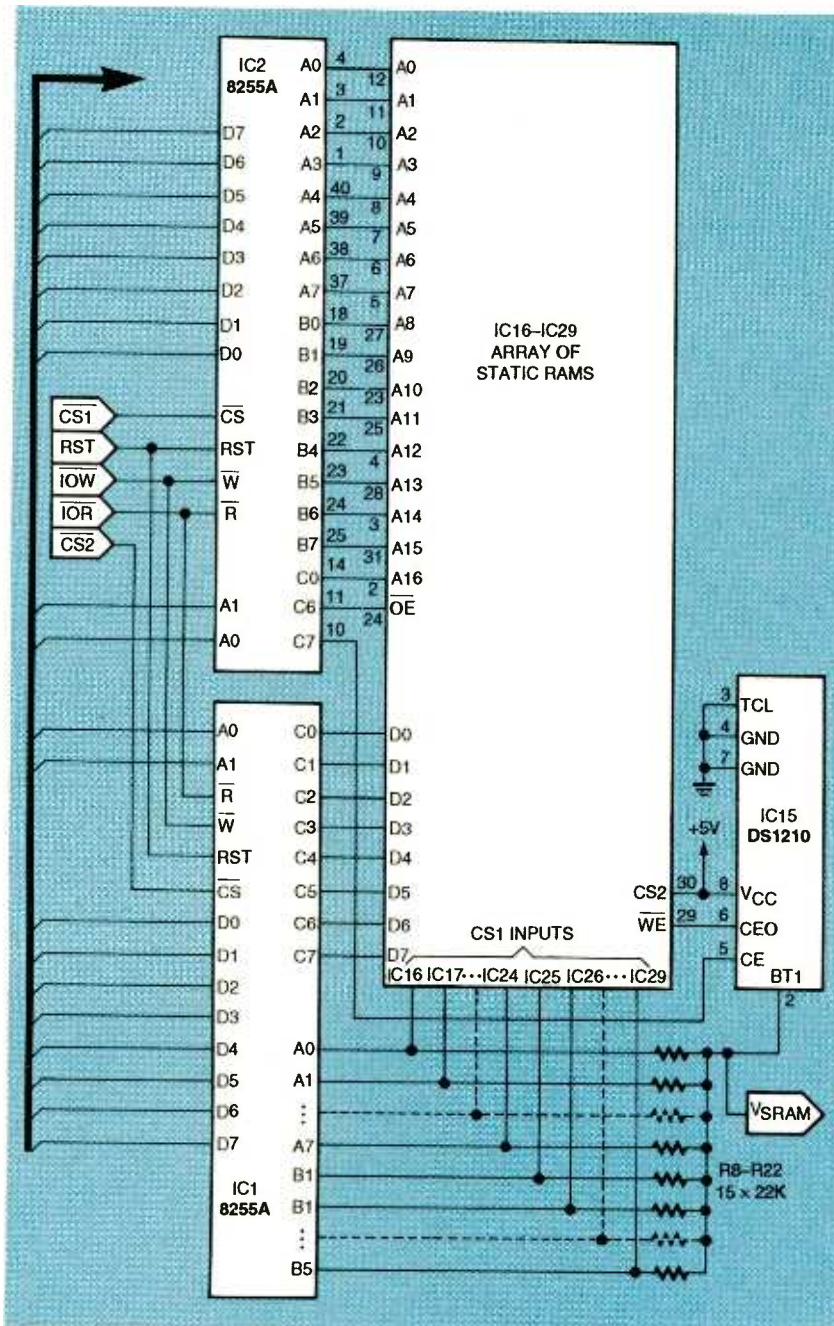


FIG. 4—TWO 8255s DRIVE ADDRESS AND DATA BUSES and control lines of an array of up to 14 static RAM's. IC15 is a data guard that disables the SRAM write line whenever power drops.

SPST switches, in logical terms it functions as a 2P4T switch; every other output is wired in parallel, so you can enable only two positions of S1 at once (1+2, 3+4, 5+6, or 7+8). The selected output pair provides two chip-select signals that enable the 8255 PICs, as shown in Fig. 4.

But first finish the address decoding in Fig. 3. Another 1-of-8 decoder, IC12, works with S2 to decode a 16K block of

high-address space, ranging from C8000 to EC000. Jumper JU4 selects either a low or a high start address (C000:0000 or E000:0000, respectively), and DIP switch S2 selects the desired 16K segment. Thus, when the system accesses the decoded address, IC13—the boot ROM/SRAM—is enabled by the signal that is labeled \overline{CX} .

On board memory addressing

You might have wondered

how 1.8 megabytes of memory was squeezed into a DOS PC. EMS. No. XMS? Try again. Custom bank-switched memory? That's it!

Now look at Fig. 4. The two 8255s provide the complete interface to the memory array, including data bus, address bus, and control signals. Thus, accessing a given memory location amounts to writing the correct bits to the correct registers in the PICs.

The PICs are standard devices, installed in IBM's original PC and many PCs since then. Each PIC has four addresses: one for a control register and three for three 8-bit I/O ports (A, B, and C). The I/O port identification is simple, as shown in Table 3.

While still looking at Fig. 4, note that IC15 serves as an intelligent power controller. It controls the WRITE ENABLE line (as delivered by IC2) into the memory array. Whenever IC15 senses that power is dropping, it ensures that \overline{WE} remains high until power switches over. That way, SRAM data cannot be inadvertently corrupted. Pull-up resistors (R8-R22) at each \overline{CS} input provide just enough current to keep RAM data intact. Battery voltage should be 2.0-4.0 volts. Use a 3.6-volt lithium battery or a pair of AA alkaline cells.

Figure 5 shows the remaining components of the circuit. Boot

TABLE 3—PIC PORT USAGE

PIC	Port	Usage
1	A	Memory bank chip selects 1-8
	B	Memory bank chip selects 9-14, 1 unused bit, and the memory bank read/write line.
	C	Memory bank data bus 0-7
2	A	Memory bank address bus 0-7
	B	Memory bank address bus 8-15
	C	Memory bank address bus 8-15, and memory bank output enable and write enable lines.

PARTS LIST

Resistors

R1-R7—4700 ohms, ¼ watt, 5%
R8-R22—22,000 ohms, ¼ watt, 5%

Capacitors

C1-C27—0.01 µF, mini DIP

Semiconductors

IC1, IC2—8255-A peripheral interface controller (Intel)

IC3—74LS245 octal bus transceiver

IC4, IC5, IC8—74LS244 octal bus buffer

IC6, IC12—74LS138 1-of-8 decoder

IC7—74LS85 4-bit comparator

IC9—74LS00 quad NAND gate

IC10—74LS08 quad AND gate

IC11—74LS04 hex inverter

IC13—43256 static RAM, 100 ns

IC14—74LS28 quad NOR gate

IC15—DS1210 intelligent power controller (Dallas Semiconductor)

IC16-29—static RAM, 128K × 8 (Sony 581000P-10L or equiv.)

D1, D2—1N4148

Other components

S1, S2—8 position SPST DIP switch

S3—4 position SPST DIP switch

JU1, JU4, JU5, JU6—2-pin, 0.1-inch header (with jumpers)

JU2, JU3—not used

B1—3.6-volt lithium battery (>0.5 mA)

IC13 socket—DS1213C Smart Socket (Dallas Semiconductor)

Miscellaneous: PC board, mounting bracket, IC sockets, solder, wire, etc.

Note: The following items are available from Hatronics, 145 Lincoln Street, Montclair, NJ 07042. (201) 783-7264:

- Bare PC board—\$62
- Kit of parts with 0K—\$120
- Kit with IC13 EPROM—\$135
- Kit with IC13 SRAM—\$140
- Kit with IC13 EPROM and 1.8 MB SRAM—\$410
- Kit with IC13 SRAM and 1.8 MB SRAM—\$425
- Additional programmed EPROMs—\$5

Specify port address of boot module. All orders add \$6 S/H. NJ residents add sales tax. Check, money order, COD, AMEX accepted.

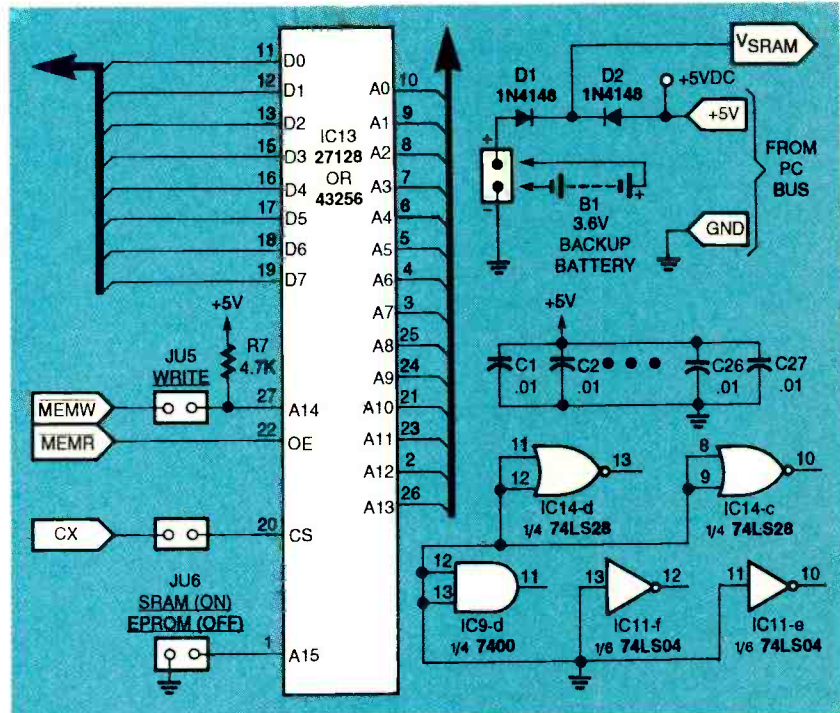


FIG. 5—MOUNT THE BOOT SRAM (IC13) in a Dallas Semiconductor Smart Socket, which has a built-in backup battery. The power supply has several 1N4148s that isolate the SRAM array back-up battery.

TABLE 4—JUMPER SETTINGS

Jumper	State	Description
JU1	On	Enable SMRAM II
	Off	Disable SRAM II
JU2	On	Not used
	Off	
JU3	On	Not used
	Off	
JU4	Upper	C8000-DC000
	Lower	E0000-EC000
JU5	On	Enable write to IC13
	Off	Disable write to IC13
JU6	On	IC13 = SRAM
	Off	IC13 = EPROM

an SRAM in the IC13 Smart Socket; and JU6 allows you to select between SRAM and EPROM operation. Table 4 summarizes the functions of all jumpers.

Part of SRAM II's appeal is its battery back-up capability. The circuit is wired so that PC-bus power (+5 volts) and the battery pack both feed the separate power line used by the memory bank. The power line is labeled V_{SRAM} . The two power sources are isolated from each other by diodes D1 and D2. Bypass capacitors C1-C27 also appear in Fig. 5, as do several unused gates, whose inputs are

grounded to avoid excess current drain.

Assembly and setup

Enough theory. Let's build something! First gather up all the tools you'll need, including a medium-power (35-watt) soldering pencil and some small-gauge solder. A Princess iron works well because of its small tip. Use thin diameter solder because thick solder can cause unwanted bridges.

The circuit is moderately complex, so a PC board is recommended for this project. Foil patterns are too large to print here, but they can be obtained by sending a self-addressed, stamped, business-size (No. 10) envelope to **Electronics Now**, SRAM PC Board, 500-B Bi-County Blvd., Farmingdale, NY 11735; you can also purchase an etched and drilled board from the author, as noted in the Parts List. The board components are not hard to assemble; the work can be completed in a few hours, depending on your experience. But haste makes waste, so don't rush!

Sockets are not mandatory, but they are recommended, par-

software is stored in IC13. Three jumpers control its operation: JU1 provides an overall enable/disable function for IC13; JU5 enables and disables writing to

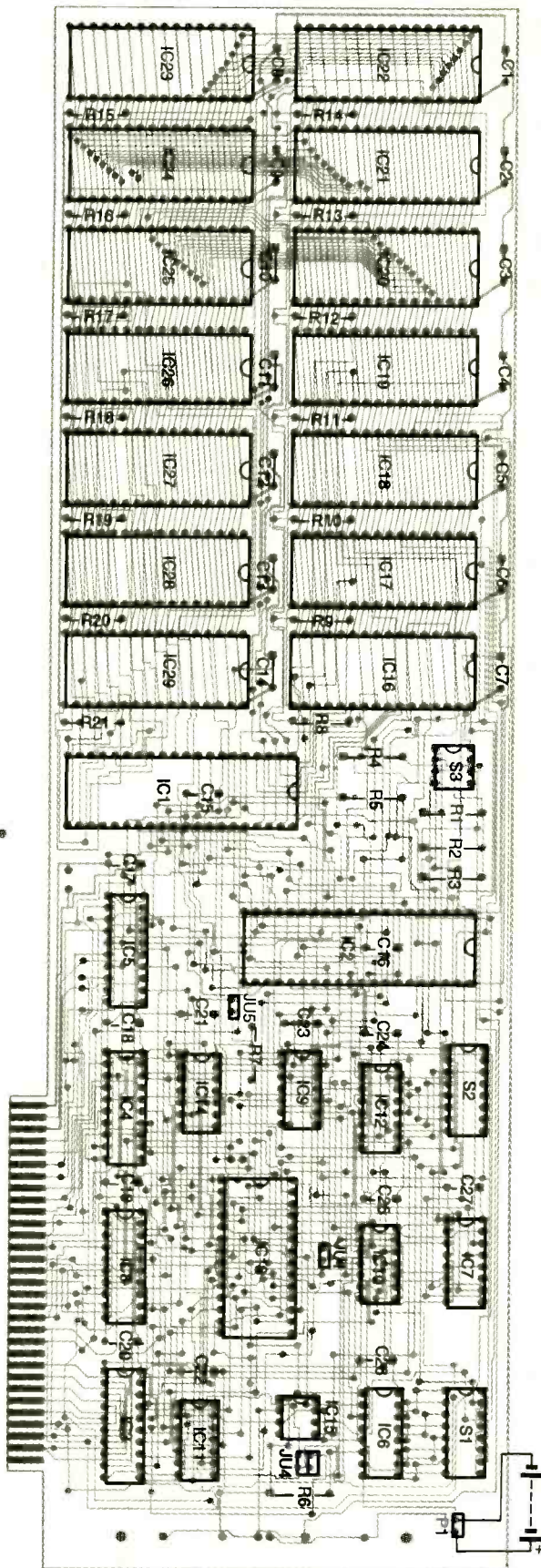


FIG. 6—MOUNT ALL COMPONENTS as shown here.

ticularly for the memory and LSI devices (IC1, IC2, IC13, IC15, and IC16–IC29). Refer to Fig. 6 as a guide for installing all components. Note: Before installing sockets for IC1 and IC2, mount and solder decoupling capacitors C15 and C16. If the sockets don't provide adequate clearance, mount the capacitors on the solder side of the board. After mounting all parts, check your work carefully. Some traces are *very* close together. Figure 7 shows the completed prototype.

To configure the board, you must define two things: the upper address segment where the boot ROM/SRAM will reside, and the base address of the eight I/O ports that control the board. Be sure the segment address does not conflict with any video card, network adapter, disk controller, or other device. Also, be sure that the I/O ports don't conflict either. Then refer to Tables 1, 2, and 4 to set the desired addresses. Last, install the board in your system.

Initializing the board

Create a directory on your hard disk and copy all the software from the distribution diskette to it. Software is also available from the *Electronics Now* BBS (516-293-2283, 9600, V32, V42bis) as a file called SRAM.ZIP. At a minimum, the following programs should be present: 128KZERO.EXE, ENABLE.COM, DISABLE.COM, 128SRAM1.SYS, and FLOPYIMG.EXE.

First initialize the board. Do this with the 128KZERO utility. To run this program type:

```
128KZERO xxx yy zz ["y"]
```

where xxx is the base port address, yy is the SRAM to start with, and zz is the number of SRAMs to initialize. The final parameter is optional. Normally the program asks for confirmation before clearing memory. But if you include a "y" at the end of the command line, the program will not request confirmation. The offset and number parameters allow you to specify individual SRAMs to erase; for now, erase everything. Following are several examples and explanations:

```
128KZERO 776 1 14
```

Initialize the board at I/O port 776. Require confirmation before proceeding.

```
128KZERO 512 5 1
```

Initialize a board at I/O port 512, starting and ending at SRAM 5. Require confirmation.

```
128KZERO 768 7 2 y
```

Initialize a board at port 768, starting with SRAM 7, and advancing to SRAM 8. Do not require confirmation.

Incidentally, for purposes of the software drivers, whenever you must specify an offset or SRAM number, IC16 corresponds to SRAM 1, IC17 to SRAM 2, and so on, until IC29, which corresponds to SRAM 14.

Creating a RAM drive

To address the SRAM ICs on the board as a disk drive, add a device driver to your CON%FGSYS file. The driver requires five parameters, each

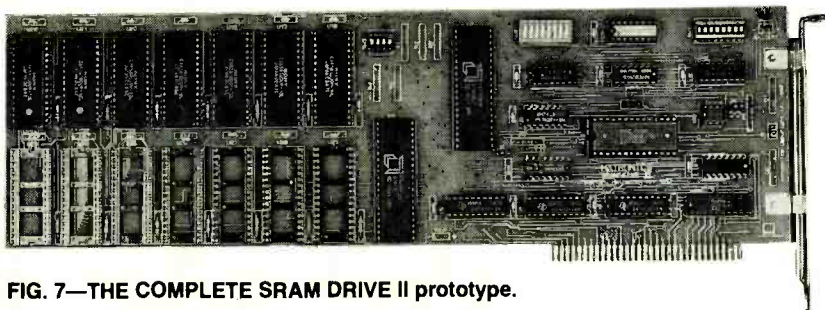


FIG. 7—THE COMPLETE SRAM DRIVE II prototype.

TABLE 5—S3 DEVICE DRIVER PARAMETERS

Prefix	Description	Note	Example
/	Base I/O port	Three-digit decimal value	/768
#	Number of SRAMs installed	Two-digit decimal value	#05
\$	Number of directory entries	Three-digit decimal value, must be power of 2.	\$016
%	Sectors per cluster	One-digit decimal value, must be power of 2. Default = 2.	%2
@	Number of sectors for FAT	One-digit decimal value, must be power of 2. Default = 6.	@6
&	SRAM offset	Two-digit decimal value. Number of SRAMs to skip before starting a drive.	&04

prefixed by a special character. Table 5 describes the parameters; Listing 1 shows a sample CONFIGSYS. Note that the sample defines two drives, each 256K in size. The first drive skips the first three SRAMs, which account for 384K bytes of memory. That area might, for example, be used to emulate a 360K boot diskette.

Creating a boot drive

To create a boot "drive" on the SRAM II, you must do three things: 1) Create a boot floppy disk that contains the precise configuration you want. 2) Create an image of that floppy disk in the first three SRAM ICs (IC16–IC18). 3) Install a driver in the BIOS. The driver reads the SRAM II emulated disk

rather than the A drive when booting (and subsequently). The software installation diskette includes several different BIOS drivers. The drivers are named xxxBOOT.DRV, where xxx corresponds to the three-digit decimal address where the board is installed.

To create a bootable SRAM drive, first create (and debug, if necessary) a bootable floppy disk that works exactly the way you want. Be sure to include the five SRAM II utility programs listed earlier. Then create the boot image on SRAM II with the utility FLOPYIMG, as follows:

FLOPYIMG xxx y

where xxx is the port address of the card, and y is a single digit corresponding to the floppy to use (0=A, 1=B). The program will then transfer, sector by sector, the contents of the specified floppy disk to the board.

Now load a driver into the boot ROM, with the utility INSTRM.

INSTRM xxxBOOT.DRV yyyy
where xxx is the port address

LISTING 1—SAMPLE CONFIG.SYS

```
device = ans1.sys
stacks = 64,256
device = 128sram1.sys /768 #16 8016 #2 603
device = 128sram1.sys /512 #03 8016 #2 62
buffers = 20
files = 30
break on
```

LISTING 2—DEBUG DUMP OF BOOT SRAM

```
C800:0000 55 AA 0C E8 72 00 CB 00-00 00 0E 00 40 08 00 00
C800:0010 50 72 6F 6D 4B 69 74 00-00 00 00 00 00 00 00 00
```

and yyyy is the memory address when IC13 is decoded by S2 and jumper JU4.

Now you should be able to boot from SRAM II. Reset or power-cycle your computer and allow it to boot normally. You should see a brief sign-on message; then the system should boot from the SRAM drive. When boot is complete, you should have a 360K A drive. If you loaded 128SRAM1.SYS to define any SRAM drives, it should appear when starting at drive C.

ENABLE.COM and DISABLE.COM are included in the floppy boot image so that SRAM II can be disabled. By typing the desired command with IC13's segment address, you can enable or disable the board. For example, if your board was installed at D0000, you could disable it by typing:

DISABLE D000

You could subsequently re-enable the board by typing:

ENABLE D000

Troubleshooting

If you can't get your computer to boot or to recognize SRAM II, first check the board construction.

If it passes inspection, check all jumper and switch settings. If these check out as well, the problem might be in the SRAM's or the boot SRAM. If there is a fault in the SRAMs, the clear utility (128KZERO) might tell you because it verifies all writes to memory.

To verify that the boot SRAM contains what it should where it should, use DOS's DEBUG program to dump the first few bytes. For example, if your board is located at C8000, start DEBUG. When the prompt appears, enter the following:

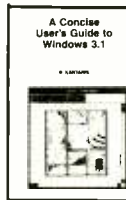
D C800:0

You should see a display like that shown in Listing 2. If not, your segment-decoding circuitry might not be working.

If all the hardware checks out, you could have a software problem. Create a boot floppy with no CONFIG.SYS or AUTOEXEC.BAT and install it in the SRAM. If this configuration will boot, you might have a path or command-line error. Ω

Electronic Paperbacks at Special Prices

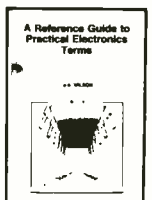
BP325—A CONCISE USER'S GUIDE TO WINDOWS 3.1 . . . \$7.95. Come to grips with Windows 3.1 in the shortest and most effective way. Learn how to manipulate Windows screens and DOS by Windows graphics interface. Master its word processor, Paintbrush and data base along with Notepad, Macro Recorder, PIF Editor, and Calculator.



BP311—AN INTRODUCTION TO SCANNERS AND SCANNING . . . \$7.95. Radio scanners have opened a realm of exciting radio listening. Understand radio wave propagation, types of transmissions, antennas, band assignments—the straight dope on what to hear and where to hear it! Comes complete with index, glossary of important terminology.



BP287—A REFERENCE GUIDE TO PRACTICAL ELECTRONICS TERMS . . . \$8.95. More than just a dictionary of practical electronics terms, the book goes a step further in getting down to fundamentals. A reference volume that can be read casually by a reader seeking knowledge.



BP248—TEST EQUIPMENT CONSTRUCTION . . . \$5.95. Details construction of simple, inexpensive, but extremely useful test equipment. AF Gen, Test Bench Ampl, Audio Millivoltmeter, Transistor Tester and six more.



BP267—HOW TO USE OSCILLOSCOPES AND OTHER TEST EQUIPMENT . . . \$6.95. Mastering the oscilloscope is not really too difficult. This book explains all the standard controls and functions. Other equipment is also described.



BP265—MORE ADVANCED USES OF THE MULTI-METER . . . \$5.95. Use these techniques to test and analyze the performance of a variety of components. Also see how to build add-ons to extend multi-meter capabilities.



BP256—INTRO TO LOUDSPEAKERS AND ENCLOSURE DESIGN . . . \$5.95. We explore the variety of enclosure and speaker designs in use today so the reader can understand the principles involved.

BP298—A CONCISE INTRODUCTION TO THE MACINTOSH SYSTEM AND FINDER . . . \$6.25. If you have one of the popular Macintosh range of computers, this book is designed to help you get the most from it. Although the Mac's WIMP user interface is designed to be easy to use, much of it only becomes clear when it is explained in simple terms. All Macintosh computers are covered including the new "Classic" range.



BP299—PRACTICAL ELECTRONIC FILTERS . . . \$6.95. Presents a dozen filter-based practical projects with applications in and around the home or in the constructor's workshop. Complete construction details are included.



BP249—MORE ADVANCED TEST EQUIPMENT CONSTRUCTION . . . \$6.95. Eleven more test equipment construction projects. They include a digital voltmeter, capacitance meter, current tracer, etc.



BP309—PREAMPLIFIER AND FILTER CIRCUITS . . . \$6.95. Provides circuits and background info for a range of pre-amplifiers, plus tone controls, filters, mixers and more. All are high-performance circuits that can be built at a reasonable cost.



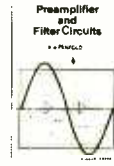
BP245—DIGITAL AUDIO PROJECTS . . . \$5.95. Practical circuits to build and experiment with. Includes A/D converter, input amplifier, digital delay line, compander, echo effect and more.



BP247—MORE ADVANCED MIDI PROJECTS . . . \$5.95. Circuits included are a MIDI indicator, THRU box, merge unit, code generator, pedal, programmer, channelizer, and analyzer.



BP257—INTRO TO AMATEUR RADIO . . . \$6.95. Amateur Radio is a unique and fascinating hobby. This book gives the newcomer a comprehensive and easy to understand guide to the subject.



PCP15—ELECTRONIC PROJECTS FOR HOME SECURITY . . . \$10.00. 25 projects ranging from a single-door protection circuit that can be completed in an hour or two, to a sophisticated multi-channel security system. Each project is described in detail with circuit diagrams, explanations of how it works, instructions for building and testing, and how to adapt circuits to meet special requirements.



BP303—UNDERSTANDING PC SOFTWARE . . . \$6.95. This book will help you understand the basics of various types of business software in common use. Types of software covered include word processors, spelling checkers, graphics programs, desktop publishing, databases, spreadsheets and utilities.



BP251—COMPUTER HOBBYISTS HANDBOOK . . . \$8.95. A wrapup of everything the computer hobbyist needs to know in one easy to use volume. Provides a range of useful reference material in a single source.



BP190—ADVANCED ELECTRONIC SECURITY PROJECTS . . . \$5.95. Includes a passive infra-red detector, a fiber-optic loop alarm, computer-based alarms and an unusual form of ultrasonic intruder detector.

BP235—POWER SELECTOR GUIDE . . . \$10.00. Complete guide to semiconductor power devices. More than 1000 power handling devices are included. They are tabulated in alpha-numeric sequence, by technical specs Includes power diodes, Thyristors, Triacs, Power Transistors and FETs.

BP234—TRANSISTOR SELECTOR GUIDE . . . \$10.00. Companion volume to BP235. Book covers more than 1400 JEDEC, JIS, and brand-specific devices. Also contains listing by case type, and electronic parameters. Includes Darlingtons transistors, high-voltage devices, high-current devices, high power devices.

BP117—PRACTICAL ELECTRONIC BUILDING BLOCKS—Book 1 . . . \$5.75. Oscillators, Timers, Noise Generators, Rectifiers, Comparators, Triggers and more.

BP195—INTRODUCTION TO SATELLITE TV . . . \$9.95. A definitive introduction to the subject written for the professional engineer, electronics enthusiast, or others who want to know more before they buy. 8 x 10 in.

BP179—ELECTRONIC CIRCUITS FOR THE COMPUTER CONTROL OF ROBOTS . . . \$7.50. Data and circuits for interfacing the computer to the robot's motors and sensors.

BP239—GETTING THE MOST FROM YOUR MULTIMETER . . . \$5.95. Covers basics of analog and digital meters. Methods of component testing includes transistors, thyristors, resistors, capacitors and other active and passive devices.

BP97—IC PROJECTS FOR BEGINNERS . . . \$5.50. Power supplies, radio and audio circuits, oscillators, timers, switches, and more. If you can use a soldering iron you can build these devices.

RADIO—100 RADIO HOOKUPS . . . \$3.00. Reprint of 1924 booklet presents radio circuits of the era including regenerative, neutrodyne, reflex & more.

BP42—SIMPLE LED CIRCUITS . . . \$5.50. A large selection of simple applications for this simple electronic component.

BP122—AUDIO AMPLIFIER CONSTRUCTION . . . \$5.75. Construction details for preamps and power amplifiers up through a 100-watt DC-coupled FET amplifier.

BP92—CRYSTAL SET CONSTRUCTION . . . \$5.50. Everything you need to know about building crystal radio receivers.

BP255—INTERNATIONAL RADIO STATIONS GUIDE . . . \$7.95. Provides the casual listener, amateur radio DXer and the professional radio monitor with an essential reference work designed to guide him or her around the more than ever complex radio bands.

CHECK OFF THE BOOKS YOU WANT

ELECTRONIC TECHNOLOGY TODAY INC.
P.O. Box 240, Massapequa Park, NY 11762-0240

Name _____
Address _____
City _____ State _____ Zip _____

SHIPPING CHARGES IN USA AND CANADA

\$0.01 to \$5.00	\$1.50
\$5.01 to \$10.00	\$2.50
\$10.01 to 20.00	\$3.50
\$20.01 to 30.00	\$4.50
\$30.01 to 40.00	\$5.50
\$40.01 to 50.00	\$6.50
\$50.01 and above	\$8.00

SORRY No orders accepted outside of USA & Canada

Total price of merchandise . . . \$ _____
Shipping (see chart at left) . . . \$ _____
Subtotal \$ _____
Sales Tax (NY State only) . . . \$ _____
Total Enclosed \$ _____

Number of books ordered

All payments must be in U.S. funds

EN494

LAST MONTH, THE DESIGN OF A 2-GHZ SIGNAL GENERATOR was described. The article concludes here with construction tips and a Parts List. Because of the complexity and expense of the TG2000, construction should be attempted only by those with experience in building and troubleshooting high-frequency RF devices. Experience in mounting and soldering surface-mounted components is also required.

Construction

You must use a PC board to build the TG2000. The foil patterns for making your own board are too big to print here, but you can obtain them by sending a self-addressed, stamped, No. 10, business-sized envelope to TG2000 Foil Patterns, Electronics Now Editorial Dept., 500-B Bi-County Blvd., Farmingdale, NY 11735. You can also purchase a completed board from the source mentioned in the Parts List.

Before mounting any components on the board, inspect it for shorts to ground on the power buses, and look for any possible defects in the board such as solder bridges. It is easier to find these problems before populating the board.

The TG2000 is made of about 75% surface-mount components and 25% through-hole components. The entire RF section is built from surface-mount components, and the computer digital interface is made with leaded components through-hole technology. Figure 1 is the parts-placement diagram. The mounting of surface-mount components present a considerable challenge for the kit builder. These components are very small and difficult to solder. Proper equipment is essential. A good quality soldering iron with a small needle tip and a medium tip is needed. The small tip will be useful for soldering the surface-mount components, but when a component is connected to the ground plane, the medium tip should be used because the needle tip will not be able to transfer enough heat for a good solder connection.

All the through-hole integrated circuits can be mounted in sockets, although sockets are not provided in the kit. A number of components are not used and they are indicated in the Parts List—do not install these components. One MMIC and a few discrete components are mounted on the bottom side of the board (see Fig. 2 for mounting details on these components). Pay attention to all polarity markings on both through-hole and surface-mount components. The input pins of the MMICs are marked with small arrows above their identification letters. Refer to the parts-placement diagram for their installation.

Spacer and shield mounting

The entire board area for surface-mount parts is shielded with a piece of double-sided PC-board. The shield is bolted to an edge-plated spacer made from $\frac{3}{32}$ -inch PC-board with ten 4-40 nuts and bolts. Figure 3 shows the cover/spacer assembly detail. Do not bolt the cover

*Let's build a 2-GHz
RF signal generator.*

PC-BASED RF SIGNAL GENERATOR

DAN DOBERSTEIN

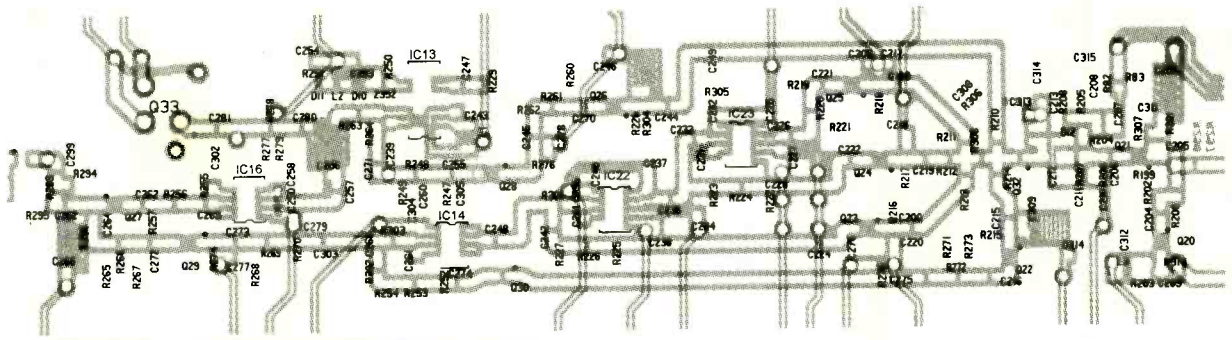


FIG. 2—SURFACE-MOUNT PARTS-PLACEMENT DIAGRAM. The surface-mount components present a considerable challenge for the kit builder.

TG2000 SURFACE-MOUNT PARTS

All resistors are in an 0805 package.

R42, R199, R221—R223, R225, R227, R230—R246, R254, R257, R259, R263, R268, R82—3300 ohms
 R83, R215—R218, R228, R258, R274, R276—430 ohms
 R270, R271, R273, R275, R277—R293, R296—298, R304—R306, R309—Not used
 R201—R203, R209, R299, R300, R307, R310—510 ohms
 R204, R205, R208—1000 ohms
 R206—5600 ohms
 R207—4700 ohms
 R210—R214, R248, R264, R308—36 ohms
 R220—18 ohms
 R229, R247, R249, R252, R262, R267, R301, R303—68 ohms
 R250, R251—22,000 ohms or 27,000 ohms
 R255, R260, R265, R293, R294, R295, R302—110 ohms
 R266—150 ohms

The following resistors are replaced by 0805-package capacitors:

R200, R209, R224, R226, R253, R256, R263, R269, R272—Any value between 2000 pF and 0.01 μ F
 R219—68 pF
 R261—2.2 pF

For optional hybrid VCO

R263—not used R277, R279—68 ohms
 R278—150 ohms

All capacitors are 0805 package

C101, C109, C199, C203—C214, C216—C222, C224—C234, C236—C241, C243—C248, C250—C255, C257—C264, C266—C280, C288, C299, C303, C306, C309, C311—C315—Any value between 2000 pF and 0.01 μ F
 C200, C235—6.8 pF
 C201, C202, C223, C256, C257, C265,

C281—C287, C289—C298, C300—C302, C307, C308, C310—not used
 C215—4.7 pF
 C249—1 pF
 C257—Replace with micro coil identical to L2
 C304, C305—3 pF
The following capacitors are mounted on top of resistors:
 CP1—4.7 pF, mounted on top of R303
 CP2—6.8 pF, mounted on top of R301
 CP3—3 pF, mounted on top of R210

The following capacitors are replaced by resistors:

C242—18 ohms
For optional hybrid VCO:
 C281, C282—2000 pF to 0.01 μ F

Diodes

D10, D11—Toshiba 1SV186
 D12—Siemens BAR60 pin diode array

Inductors

L1—6 turns of No. 28 wire wound on a No. 50 drill bit, close wound
 L2—3 turns of No. 28 wire wound on a No. 60 drill bit, deform to tune specs
 L3—8 to 10 turns of No. 28 wire wound on a No. 40 drill bit, close wound

Integrated circuits

IC13—ADC20010 GaAs Mixer/VCO MMIC
 IC14, IC16—NEC 584G divide-by-two prescaler
 IC15—Fujitsu MB1501 1.1 GHz PLL
 IC22, IC23—NEC 587G divide by 2/4/8 prescaler

MMIC amplifiers

Q20, Q21, Q24 (optional), Q31—MAR2 or MSA-0286 MMIC amplifier
 Q22—Q27, Q29—MAR1 or MSA-0186 MMIC amplifier
 Q28—INA-03184 MMIC amplifier
 Q24, Q30—not used (jumper with 2000 pF to 0.01 μ F)

This will show up as a VCO control voltage (pin 1 of IC1-a) railed at -1 or +28 volts. Use the BLINK diagnostic to verify that the data lines are under computer control. Use an oscilloscope to verify that the 4-MHz oscillator is operating and

that its output is present at the MB1501. Verify that the MB1501 is receiving the reference oscillator and the VCO prescaled frequency by monitoring pins 13 and 14, which have the divided reference and VCO sample frequency on them respectively.

The divided reference should be at 125 kHz and the divided VCO sample should be at 125 kHz if the PLL is locked. Assuming the PLL isn't locked, the pin-14 frequency can vary widely. Assuming that the MB1501 received the correct values of N and A, the VCO output pin will be close (within a factor of two) to 125 kHz.

If the frequency at pin 13 is not 125 kHz and the 4-MHz oscillator is present at pin 1, this indicates that the MB1501 reference divider is either not working or was not loaded properly. Component failure is very rare—check data lines using BLINK.EXE.

To verify the proper operation of the VCO and the divide-by-two prescaler, set the frequency to 1200 MHz, and open the loop up at R14. With a DC power supply, drive R14 to control the VCO frequency while watching the pulses at pin 14; the pulses should track changes in the control voltage.

This technique allows you to verify correct operation of the VCO, prescaler IC16, and the MB1501 N and A dividers using a low-frequency oscilloscope. In addition, the control voltage at pin 1 of IC1-a will toggle between -1 and +28 volts as the VCO frequency passes through the actual frequency commanded via the N- and A-register values.

Interface and DAC problems

The best way to test for interface problems is to use the BLINK diagnostic. This routine toggles all data lines at a 1-Hz rate, allowing signal tracing with a voltmeter. Verify the toggling at the pin of each chip serviced by the interface. If there's

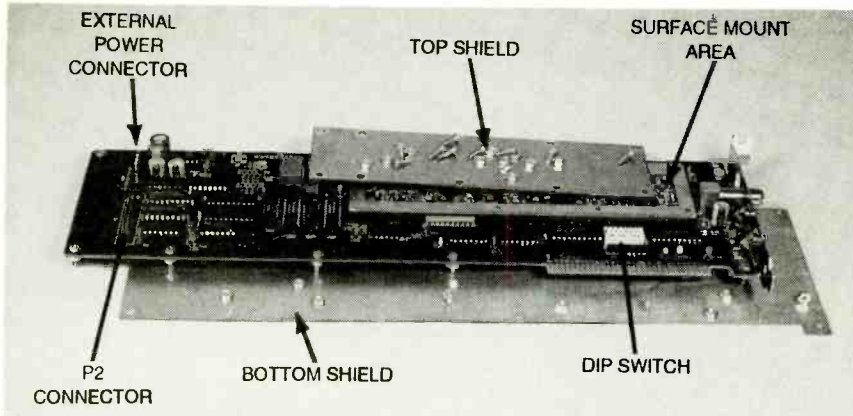


FIG. 3—THE TOP SHIELD IS BOLTED to an edge-plated spacer made from 3/32-inch PC-board material with ten 4-40 nuts and bolts. The double-sided bottom shield is mounted to the TG2000 board using seven 4-40 bolts with a nut and a washer as a standoff.

no toggling on any lines, check your software setup.

The DAC RAMP test must be done with an oscilloscope, because the ramp rate is too fast to be tracked with a voltmeter. With a scope and DAC RAMP running, you should see a ramp starting at 0 volts and ending at 10 volts. If you don't see a clean ramp waveform, check all the data lines and voltages.

Individual band problems

The bands past 30 MHz are impossible to check with a low-performance oscilloscope. However, because the band from 4 to 8 MHz needs every divider preceding it to work, the divider-chain operation can be verified with a low-bandwidth oscilloscope. Set the generator to sweep from 4 to 8 MHz (either linear or log) and observe the

ORDERING INFORMATION

Note: The following items are available from DKD Instruments, 1406 Parkhurst St., Simi Valley, CA 93065. (805) 581-5771:

- TG2000 kit—\$790.00
- TG2000 assembled and tested—\$1475.00
- Bare PC board—\$135.00
- 810B Spectrum Analyzer—\$2275
- 1800H Spectrum Analyzer—\$3775

Please add \$15 for shipping and handling inside California; \$17, Continental U.S.; \$35, Alaska and Hawaii; \$40, Canada. Contact factory for available options

Note: This price list supersedes the incorrect list presented in the March 1993 issue.

output with a suitable oscilloscope. The waveform envelope should be smooth with no sudden jumps in the output except at the sweep restart. Sudden amplitude changes could indicate a divider error in the chain.

Check the voltage at each MMIC amplifier. For any given band, only one RF path should be energized and the other MMICs should be turned off. If you suspect that a MMIC is faulty, check the installation polarity first. All the MMICs have a bias resistor connected in series to +12 volts. When they are "on" you should see about a 7- to 8-volt drop across this resistor, which results in about a 4.5-volt DC bias on the output pin of the MMIC. The input pin should have a DC level of about 1.5 volts. If any of these voltages differ significantly way off, look for short or open circuits, or a faulty MMIC.

Another way to check out all the bands is with a frequency counter. By sweeping the entire bandwidth of the instrument at a slow rate, the counter will provide an indication of a problem. Many low-performance counters can cover the entire band of the signal generator. Unfortunately, because of the high harmonic content of the divider chain, the counter can lock onto a harmonic of the output frequency. With the right amount of attenuation, however, this problem can usually be circumvented.

TG2000 THROUGH-HOLE PARTS

Resistors

- R5, R14—3300 ohms
- R19—180 ohms
- R20, R54, R93—R96—2200 ohms
- R21—47,000 ohms
- R24A—18 ohms
- R24B, R41—68 ohms
- R40—750 ohms
- R61—470 ohms
- R80, R81, R84, R85, R88—22,000 ohms
- R86, R87, R90, R91, R92, R97—R99—not used or optional
- RP1, RP2, RP5—22,000 ohms, comm bus network
- RP3—22,000 ohms, isolated network
- RP4—2200 ohms, isolated network
- RP6—330,000 ohms, isolated network

Capacitors

- C1, C2, C6, C7, C56, C106, C107—1 μF, 35 volts, tantalum electrolytic
- C3—0.1 μF, polyester (104K)
- C4, C54—1000 pF, polyester
- C55A, C55B—220 μF, 35 volts, electrolytic
- C57A, C57B, C97—220 μF, 16 volts, electrolytic
- C76—C87, C104, C108—0.01 μF, ceramic
- C96, C105, C110—10 μF, 16 volts, tantalum electrolytic
- C97, C104—not used
- C103—1000 pF, ceramic disc

Semiconductors

- IC1—LM358 dual op-amp (SGS Thom-

- son)
 - IC3—MC34063A switching regulator (Motorola)
 - IC4, IC5—74LS244 octal buffer
 - IC6—74LS04 hex inverter
 - IC7—AD558 8-bit DAC (Analog Devices)
 - IC8, IC27, IC28—74LS164 8-bit shift register
 - IC9, IC10—74LS374 octal latch
 - IC11—74LS00 quad NAND
 - IC18, IC19—74LS138 one-of-8 decoder
 - IC20—74HCT688 address decoder
 - IC21—74LS245 bidirectional buffer
 - IC25, IC26—ULN2803A octal driver (Motorola)
 - D1, D2—not used
 - D3—1N4003 diode
 - D4—1N3600 diode
 - D5—Replace with 43-ohm resistor
 - LED1—red light-emitting diode
 - Q1—Q5, Q7, Q9, Q10—2N3906 PNP transistor
 - Q6, Q8, Q11—not used
- #### Other components
- OSC1—4-MHz crystal oscillator
 - L4—220 μH molded coil
 - J1, J2, J5—right-angle PC-mount RCA jack (J2 is optional)
 - J3, J6, J7, P3—not used (optional)
 - J4—right-angle or SMA PC-mount F connector
 - P2—2 × 13 header
 - S1—7-position DIP switch
 - PWR—4-pin 0.156-inch molex header

RAY MARSTON

AN AUDIO POWER AMPLIFIER CAN boost weak signals from a tuner, CD player, or tape deck to fill a room with sound. This article focuses on the operating principles and circuitry of low-frequency power amplifiers based on the bipolar junction transistor (BJT). Recent articles in this series have discussed multi-vibrators, oscillators, audio pre-amplifiers, and tone-control circuits, all based on the BJT.

Power amplifier basics

A transistorized audio power amplifier converts the medium-level, medium-impedance AC output voltage of a preamplifier into a high-level, amplified signal that can drive a low-impedance audio transducer such as a speaker. A properly designed power amplifier will do this with minimal signal distortion.

Audio can be amplified with one or more power transistors in either of three configurations: Class A, Class B, and Class AB. Figure 1-a shows a single BJT Class A amplifier in a common-emitter configuration with a speaker as its collector load. A Class A amplifier can be identified by the way its input base is biased.

Fig. 1-a shows that BJT Q1's collector current has a *quiescent* value that is about halfway between the zero bias and cutoff positions. (The quiescent value is that value of transistor bias at which the negative- and positive-going AC input signals are zero.) This bias permits the positive and negative swings of the output collector AC current to reach their highest values without distortion. If the AC and DC impedances of the speaker load are equal, the collector voltage will assume a quiescent value that is about half the supply voltage.

The Class A circuit amplifies audio output with minimum distortion, but transistor Q1 consumes current continuously—even in the quiescent state—giving it low efficiency. Amplifier *efficiency* is defined as the ratio of AC power input to the load divided by the DC



POWER AMPLIFIERS

Learn about audio power amplifiers and apply this knowledge to your circuit designs and experiments.

power consumed by the circuit.

At maximum output power, the efficiency of a typical Class A amplifier is only 40%, about 10% less than its theoretical 50% maximum. However, its efficiency falls to about 4% at one-tenth of its maximum output power level.

A typical Class B amplifier is shown in Fig. 2-a. It has a pair of BJTs, Q1 and Q2, operating 180° out-of-phase driving a common output load, in this example another speaker. In this topology, the BJTs operated as common-emitter amplifiers drive the speaker through push-pull transformer T2. A

phase-splitting transformer, T1, provides the input drives for Q1 and Q2 180° out-of-phase.

The outstanding characteristic of any Class B amplifier is that both transistors are biased off under quiescent conditions because they are operated without base bias. As a result, the amplifier draws almost no quiescent current. This gives it an efficiency that approaches 79% under all operating conditions. In Fig. 2-b, neither Q1 nor Q2 conducts until the input drive signal exceeds the base-emitter zero-crossing voltage of the transistor. This occurs at about 600 millivolts for typical

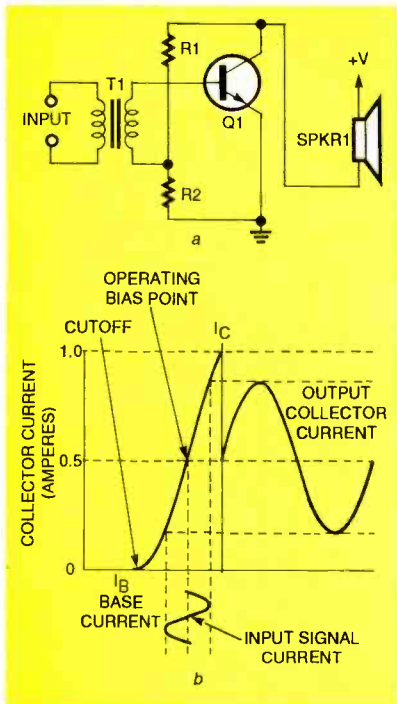


FIG. 1—CLASS A POWER AMPLIFIER circuit (a), and its dynamic transfer curve (b).

power transistor.

The major disadvantage of the Class B amplifier is that its output signal is seriously distorted. This can be seen from its dynamic transfer curve, also shown in Fig. 2-b.

Class AB fundamentals

Audio distortion caused by the crossover between two out-of-phase transistors is annoying. To overcome this defect, the classic Class B amplifier is modified into the third category called Class AB for most high-fidelity audio equipment. Fortunately, Class B distortion can usually be eliminated by applying slight forward bias to the base of each transistor, as shown in Fig 3-a. This modification sharply reduces the quiescent current of a Class B amplifier and converts it into a Class AB amplifier.

Many early transistorized power amplifiers were Class AB, as shown in Fig. 3-a, but that circuit is rarely seen today. That circuit requires one transformer for input phase-splitting and another for driving the speaker, both costly electronic components.

In addition, the electrical

characteristics of both Q1 and Q2 must be closely matched. The amplification of each transistor will be unequal if they are not, and it will be impossible to minimize output distortion. Figure 3a shows a dynamic transfer characteristic for a Class AB power amplifier.

The Class AB amplifier shown in Fig. 4 avoids both transformers and the need to match transistors. A complementary pair of transistors (Q1 an NPN and Q2 a PNP) is connected as an emitter follower. Powered by a split (dual) supply, the circuit's two emitter followers are biased

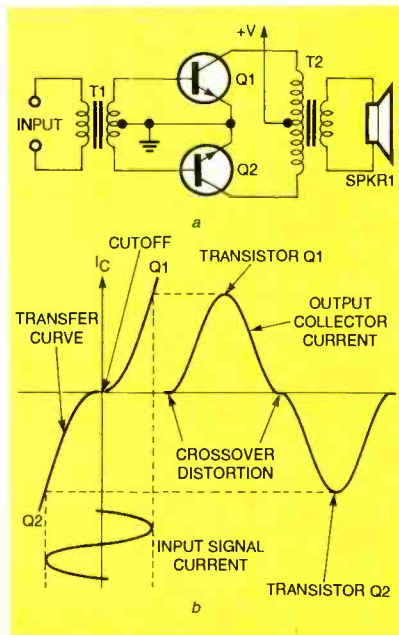


FIG. 2—CLASS B POWER AMPLIFIER circuit (a), and its dynamic transfer curve (b).

through R1 and R2 so that their outputs are at zero volts; no current flows in the speaker under quiescent conditions.

Nevertheless, a slight forward bias can be applied with trimmer potentiometer R3 so that Q1 and Q2 pass modest quiescent currents to prevent crossover distortion. Identical input signals are applied through C1 and C2 to the bases of the emitter followers, which avoid a split-phase drive.

When an input signal is applied to the Fig. 4 circuit, the positive swing drives PNP Q2 off while driving NPN Q1 on. Tran-

sistor Q1 acts as a current source with a very low output (emitter) impedance; it feeds a faithful unity-gain copy of the input voltage signal to the speaker. The transistor characteristics have little or no effect on this response.

Similarly, negative swings of the input signal drive Q1 off and Q2 on. Because Q2 is a PNP BJT, it becomes a current sink with minimal input (emitter) impedance. It also produces a faithful unity-gain copy of the voltage signal to the speaker, again with Q2's characteristics having little or no effect on the circuit's response.

As a result, the Fig. 4 circuit does not require that Q1 be matched to Q2, and neither input nor output transformers are required. Modification of this circuit, as shown in Figs. 5-a and b, work from single-ended power supplies. In Fig. 5-a, one side of the speaker is connected to the amplifier through high-value blocking capacitor C3, and the other end is connected to ground; in Fig. 5-b, one side is connected to C3 and the other side is connected to the positive supply. All three circuits are popular in modern high-fidelity audio

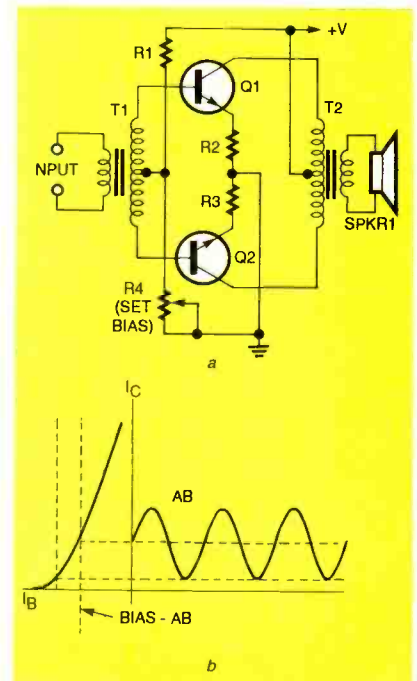


FIG. 3—CLASS AB POWER AMPLIFIER circuit (a), and its dynamic transfer curve (b).

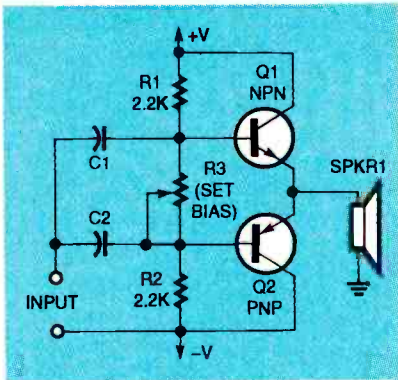


FIG. 4—CLASS AB POWER AMPLIFIER with a complementary emitter-follower output that must be powered by a dual supply.

power amplifiers based on integrated circuitry.

Class AB variations

The circuit in Fig. 4-a is a unity-voltage gain amplifier so one obvious improvement is to add a voltage-amplifying driver stage, as shown in Fig. 6. Transistor Q1, configured as a common-emitter amplifier, drives two emitter followers, Q2 and Q3, through its collector load resistor R1.

Note that Q1's base bias is derived from the circuit's output through resistors R2 and R3. This configuration provides DC feedback to stabilize the circuit's operating points and AC feedback to minimize signal distortion.

The Fig. 6 circuit illustrates how a form of auto-bias can be applied to Q2 and Q3 through the silicon diodes D1 and D2. If the simple voltage-divider biasing method in Fig. 4 is used in the Fig. 6 circuit, its quiescent current will increase as ambient temperature rises and decrease as it falls. (This is caused by the thermal characteristics of a transistor's base-emitter junctions.)

The biasing in Fig. 6 is derived from the forward voltage drop of series diodes D1 and D2 whose thermal characteristics are closely matched to those of the base-emitter junctions of Q2 and Q3. Consequently, this circuit offers excellent thermal compensation.

Practical amplifiers include a pre-set trimmer potentiometer in series with D1 and D2. This

component makes it possible to adjust bias voltage over a limited range. Low-value resistors R4 and R5 in series with the emitters of Q2 and Q3 provide some negative DC feedback.

The impedance of the Fig. 4 circuit equals the product of the speaker load impedance and the current gain of either Q1 or Q2. The circuit can be improved by replacing transistors Q1 and

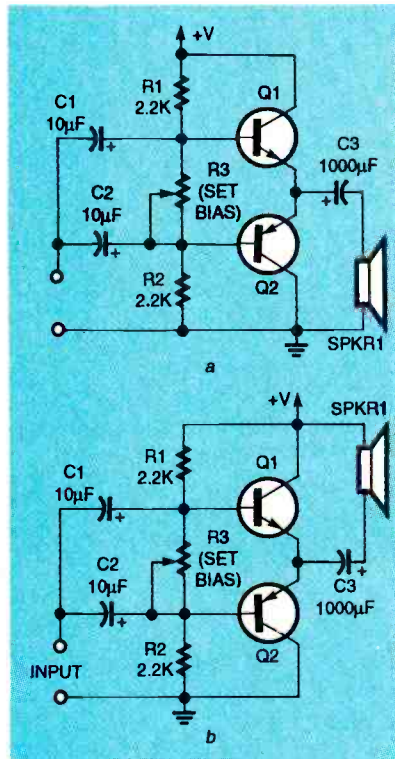


FIG. 5—ALTERNATIVE CLASS AB power amplifier that can be powered with a single-ended supply.

Q2 with Darlington pairs which will significantly increase the circuit's input impedance and increase the amplifier's collector load capacity.

Figures 7 to 9 show three different ways of modifying the Fig. 6 circuit by replacing individual transistors with Darlington pairs. For example, in Fig. 7, transistors Q2 and Q3 form a Darlington NPN pair, and Q4 and Q5 form a Darlington PNP pair. There are four base-emitter junctions between the bases of Q2 and Q4, and the output circuit is biased with a string of four silicon diodes, D1 to D4, in series to compensate for the Darlington pairs.

In Fig. 8, Q2 and Q3 are a Darlington NPN pair, but Q4 and Q5 are a complementary pair of common-emitter amplifiers. They operate with 100% negative feedback, and provide unity-voltage gain and very high input impedance. This quasi-complementary output stage is probably the most popular Class AB power amplifier topology today. Notice the three silicon biasing diodes, D1, D2, and D3.

Finally, in Fig. 9, both pairs Q2 and Q3 and Q4 and Q5 are complementary pairs of unity-gain, common-emitter amplifiers with 100% negative feedback. Because the pairs produce outputs that are mirror images of each other, the circuit has a complementary output stage. Notice that this circuit

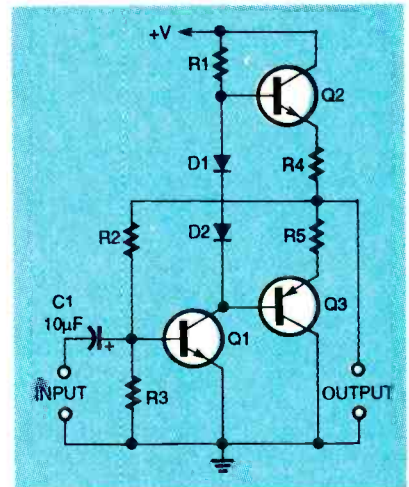


FIG. 6—COMPLEMENTARY POWER amplifier with a driver and auto-bias.

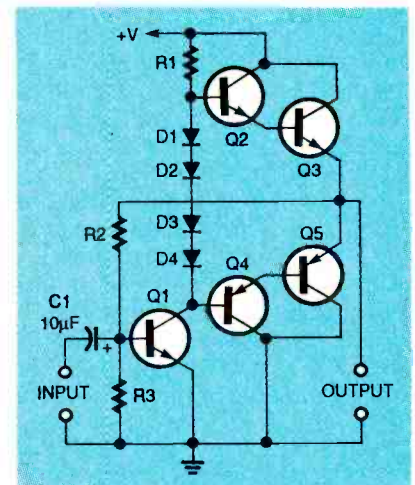


FIG. 7—POWER AMPLIFIER with Darlington output stages.

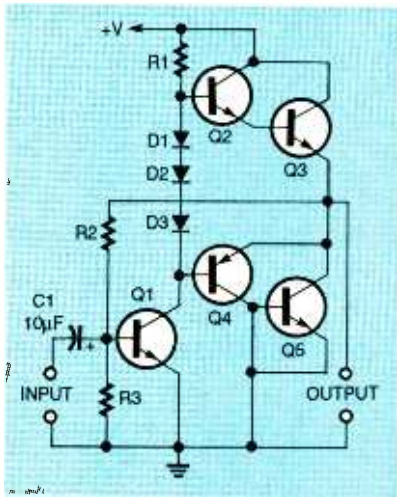


FIG. 8—POWER AMPLIFIER with partial complementary output stages.

has only two silicon biasing diodes, D1 and D2.

Amplified diodes

The circuits in Figs. 6 to 9 include strings of two to four silicon biasing diodes. Each of those strings can be replaced by a single transistor and two resistors configured as an *amplified diode*, as shown in Fig. 10.

The output voltage of the circuit, V_{OUT} , can be calculated from the formula:

$$V_{OUT} = V_{BE} \times R1 + R2/R2$$

If resistor R1 is replaced by a short circuit, the circuit's output will be equal to the base-emitter junction "diode" voltage of Q1 (V_{BE}). The circuit will then have the thermal characteristics of a discrete diode.

If resistor R1 equals R2, the circuit will act like two series-connected diodes, and if R1 equals three times R2, the circuit will act like four series-connected diodes, and so on. Therefore, the circuit in Fig. 10 can be made to simulate any desired whole or fractional number of series-connected diodes, depending on how the R1/R2 ratios are adjusted.

Figure 11 shows how the circuit in Fig. 10 can be modified to act as a fully adjustable "amplified diode," with an output variable from 1 to 5.7 times the base-emitter junction voltage (V_{BE}).

Bootstrapping

The main purpose of the Q1

driver stage in Fig. 6, the basic complementary amplifier, is to give the amplifier significant voltage gain. At any given value of Q1 collector current, this voltage gain is directly proportional to the effective Q1 collector load value. It follows that the value of resistor R1 should be as large as

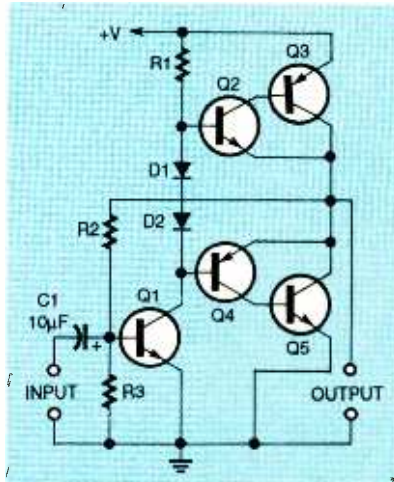


FIG. 9—POWER AMPLIFIER with complementary output stages.

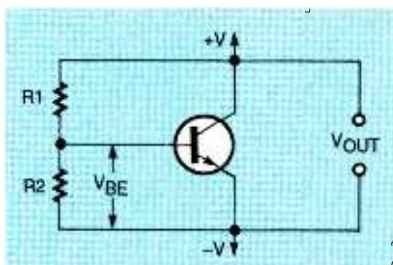


FIG. 10—FIXED-GAIN AMPLIFIED diode circuit.

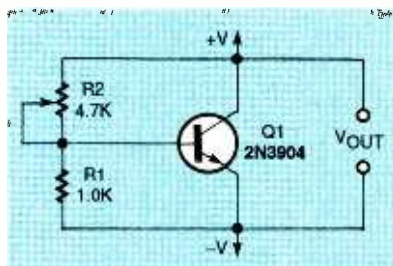


FIG. 11—ADJUSTABLE AMPLIFIED diode circuit.

possible to maximize voltage gain. However, there are several reasons why this does not work.

First, the *effective* or AC value of R1 equals the actual R1 value shunted by the input impedance of the Q2-Q3 power amplifier stage. Therefore, if R1 has a

high value, the power amplifier input impedance must be even greater. That can usually be done by replacing Q2 and Q3 with high-gain transistor pairs, as was done in Figs. 7 to 9.

The second reason is that Q1 in Fig. 6 must be biased so that its collector assumes a quiescent half-supply voltage value to provide maximum output signal swings; this condition is set by the Q1's collector current and resistor R1's value.

The true value of R1 is predetermined by biasing requirements. To achieve high voltage gain, a way must be found to make the AC impedance of R1 much greater than its DC value. This is accomplished with the *bootstrapping* technique shown in Figs. 12 and 13.

In Fig. 12, Q1's collector load consists of R1 and R2 in series. The circuit's output signal, which also appears across SPKR1, is fed back to the R1-R2 junction through C2. This output signal is a near unity-voltage-gain copy of the signal appearing on Q1's collector.

If resistor R1 has a value of 1 kilohm, the Q2-Q3 stage provides a voltage gain of 0.9. As a result, an undefined signal voltage appears at the low end of resistor R2, and 0.9 times that undefined voltage appears at the top of R2. In other words, only one tenth of the unknown signal voltage is developed across R2. Therefore, it passes

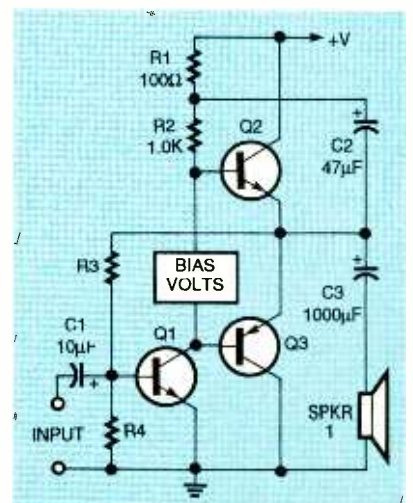


FIG. 12—POWER AMPLIFIER with a bootstrapped driver stage.

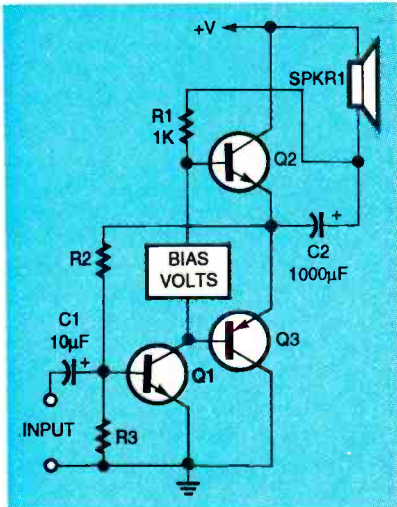


FIG. 13—ALTERNATIVE POWER amplifier with a bootstrapped driver stage.

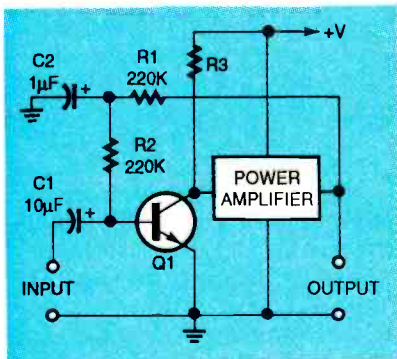


FIG. 14—DRIVER STAGE with decoupled parallel DC feedback.

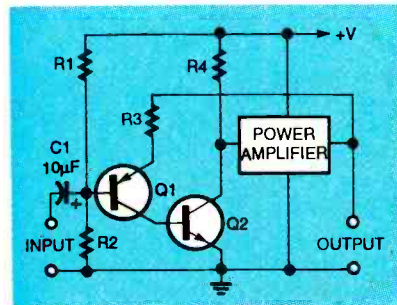


FIG. 15—DRIVER STAGE with series DC feedback.

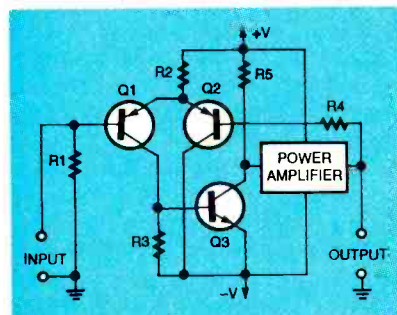


FIG. 16—DRIVER STAGE with a long-tailed pair input.

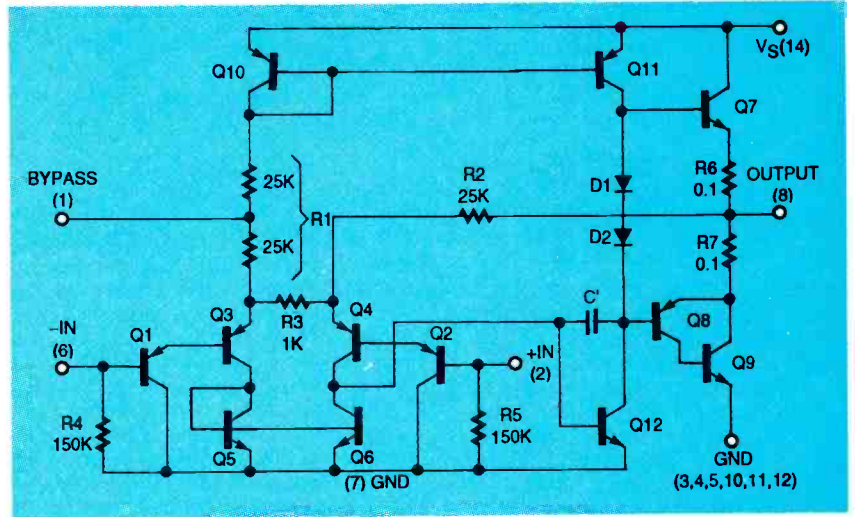


FIG. 17—SCHEMATIC FOR THE LM38 POWER AMPLIFIER IC from National Semiconductor. It has a 2-watt output rating.

only one-tenth of the signal current that would be expected from a 1-kilohm resistor.

This means that the AC signal impedance value of R2 is ten times greater (10 kilohms) than its DC value, and the signal voltage gain is increased correspondingly. In practical circuits, "bootstrapping" permits the effective voltage gain and collector load impedance of Q1 to be increased by a factor of about twenty.

Fig. 13 is the schematic for an alternative version of Fig. 12 without one resistor and one capacitor. In this circuit, SPKR1 is part of Q1's collector load, and it is bootstrapped through capacitor C2.

As an alternative to bootstrapping, the load resistor can be replaced with a simple transistor constant-current generator. This design is found in many integrated circuit audio power amplifiers.

Alternative drivers

Returning once again to Fig. 6, notice that parallel DC and AC voltage from the R1-R2 divider network is fed back to the Q1 driver stage. This is a simple and stable circuit, but its gain and input impedance are low. Moreover, it will work only over a limited power supply voltage range.

Figure 14 is a variation of the Fig. 6 circuit intended to function as a driver stage. Current feedback through resistors R1

and R2 allows the circuit to work over a wide supply voltage range. The feedback resistors can be AC decoupled (as shown) through C2 to increase the gain and input impedance, but at the expense of increased signal distortion. Transistor Q1 can be replaced with a Darlington pair if very high input impedance is desired.

Another alternative driver stage, Fig. 15, depends on series DC and AC feedback to give it more gain and higher input impedance than can be obtained from the Fig. 6 circuit. In this circuit, PNP transistor Q1 is directly coupled to NPN transistor Q2.

Finally, Fig. 16 is the schematic for a driver circuit specifically intended for use in amplifiers with dual or split power supplies that have direct-coupled input and output stages referenced to ground. The input stage of this driver stage is a long-tailed pair. Both the input and output will be centered on DC ground if the values of resistors R1 and R4 are equal. This circuit is found in many integrated circuit power amplifiers.

An IC power amplifier

Improvements in the power-handling capabilities of monolithic integrated circuits have permitted power amplifiers to be integrated on a single silicon substrate or chip. The techniques for designing integrated



CRYSTAL-CONTROLLED! 5 MINUTE ASSEMBLY! MONEYBACK GUARANTEE! Attach 3 wires and hear every whisper up to 2 miles away on any programmable scanner or VHF surveillance receiver. Pre-tested surface mount module uses standard 9V battery for 100mW output! Includes battery box and crystal for 140MHZ. Custom frequencies available for Law Enforcement. Model VX-100 only **\$79.95 + 2.00 S&H.** VISA, MC, MO. COD add **\$5.00.** **DECO INDUSTRIES, BOX 607, BEDFORD HILLS, NY 10507. 914-232-3878.**

CIRCLE 127 ON FREE INFORMATION CARD

2 Year
Warranty



ULTRA LOW COST LINEAR PROGRAMMABLE POWER SUPPLIES, User-Friendly with LCD Readouts at Analog Prices. Output Voltage/Current Programming and Readback via LCD Panel • Data Entry with Front-Panel Keypad • Power-off Memory • Voltage and Current Step-up/Step-down Function • Microprocessor Controlled • Superior Line/Load Regulation • Output Enable/Disable • Optional RS-232 Interface for Remote Operation (standard on LPS-305) • Intelligent Forced-Air Fan Operation. **AMERICAN RELIANCE, INC., 11801 Goldring Road, Arcadia, CA 91006. Tel: (818) 303-6688 • Fax: (818) 358-3838**

CIRCLE 186 ON FREE INFORMATION CARD



GET YOUR RECHARGE CATALOG FREE...EARN BIG \$\$ IN YOUR SPARE TIME—All supplies and Do-It-Yourself kits with complete instructions available. Supplies cost from **\$9.95** in qty and you can sell recharged toner cartridges for **\$40.00** to **\$55.00** each. Printers include HP LaserJet Series I, II, III, IV, Apple LaserWriter, QMS, etc. Canon PC Copiers also. **CHENESKO PRODUCTS, 2221 Fifth Ave., Suite #4, Ronkonkoma, NY 11779, 516-467-3205. FAX 516-467-3223, 1-800-221-3516**

CIRCLE 110 ON FREE INFORMATION CARD



CABLE TV 50dB NOTCH FILTERS for interference removal or channel censoring. Filters are user-adjustable to desired channel # or frequency. Eight Models available, each for certain channels: 2 & 3; 4 to 6; 7 to 13; 14 to 17; 18 to 22; 23 to 29; 30 to 36; 95 to 99 plus 0 & 1. Just **\$30** each or 3 for **\$75**, includes shipping. **ONE MONTH MONEY BACK**, fast delivery. Visa, MC, check or M.O. (C.O.D. is **\$5** extra) Huge discounts for higher quantities. **STAR CIRCUITS, P.O. Box 94917, Las Vegas, NV 89193. Call 24 hours 1-800-535-7827.**

circuit power amplifiers are similar to those for discrete device circuits. It turns out that the similarities between discrete and IC power amplifier design are closer than for most other linear circuits.

Figure 17 is a simplified circuit diagram for the LM380, an IC power amplifier, drawn in the manufacturer's data book style. The LM380 was developed by National Semiconductor Corporation for consumer applications. It features an internally fixed gain of 50 (34 dB) and an output that automatically centers itself at one-half of the supply voltage.

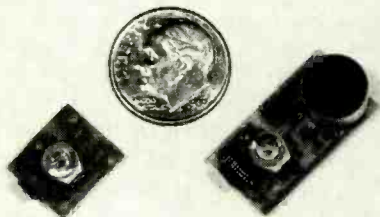
An unusual input stage permits inputs to be referenced to the ground or AC coupled, as required. The output stage of the LM380 is protected with both short-circuit current limiting and thermal-shutdown circuitry.

The LM380 has two input terminals. Both Q1 and Q2 are connected as PNP emitter followers that drive the Q3 and Q4 differential amplifier transistor pairs. The PNP inputs reference the input to ground, thus permitting direct coupling of the input transducer.

The output is biased to half the supply voltage by resistor ratio R1/R2 (resistor R1 is formed by two 25-kilohm resistors and R2 has a value of 25 kilohms). Negative DC feedback, through resistor R2, balances the differential stage with the output at half supply, because $R1 = 2R2$.

The output of the differential amplifier stage is direct coupled into the base of Q12, which is a common-emitter, voltage-gain amplifier with a constant current-source load provided by Q11. Internal compensation is provided by the pole-splitting capacitor C'. Pole-splitting compensation permits wide power bandwidth (100 kHz at 2 watts, 8 ohms).

The collector signal of Q12 is fed to output pin 8 of the IC through the combination of emitter-coupled Q7 and the quasi-complementary pair of emitter followers Q8 and Q9. The short-circuit current is typically 1.3 amperes. Ω



WORLD'S SMALLEST FM TRANSMITTERS! New Surface Mount Technology (SMT) makes all others obsolete! XST500 Transmitter—powerful 3 transistor audio amplifier, transmits whispers up to 1 mile. XSP250 Telephone Transmitter—line powered, transmits conversations up to ¼ mile. Both tune 88-108 MHz. Easy to assemble E-Z KITS (SMT components pre-assembled to circuit board!) XST500—**\$44.95**, XSP250—**\$34.95**, VISA/MC. COD add **\$6.** **XANDI ELECTRONICS, 201 E. Southern Ave., Suite 111, Tempe, AZ 85282. 1-800-336-7389.**

CIRCLE 177 ON FREE INFORMATION CARD



AFFORDABLE LABORATORY POWER SUPPLIES. Direct keyboard data entry for Voltage and current settings—or slew up/down to sweep outputs. DC enable/disable control. Large LED readouts. RS232 is standard. Program Voltage with your PC and read back the current. Free communications software provided. Models from 12.5V to 125V; 75 Watts. **\$429.00—\$449.** MC, VISA, and AMEX are OK. **KEPCO INC., Flushing, NY 11352. 718-461-7000; FAX: 718-767-1102.**

CIRCLE 192 ON FREE INFORMATION CARD

Be a computer programmer!

Only NRI gives you hands-on training with the latest programming tools:

- A 486sx computer with Super VGA color monitor, 200 meg hard drive
- Windows
- Visual Basic
- Power C
- QBasic
- DOS
- And much more!

Only NRI at-home training gives you real-world programming skills in three in-demand languages: QBasic, C, and Visual Basic, today's hot new language designed for writing popular Windows applications. Best of all, you get hands-on training with a powerful Intel-based 486sx computer system, complete with Super VGA color monitor, 200 meg hard drive, Windows, and professional programming software you keep!

NRI, the leader in at-home computer training, shows you how to take advantage of today's newest programming opportunities

Get in on the ground floor of computer programming one of today's fastest-growing career fields. The Bureau of Labor Statistics forecasts that job opportunities for programmers will increase much faster than average over the next 10 years, with as many as 400,000 new jobs opening up by 2005.

And the fastest-growing segment of programming jobs will be PC programming, fueled by the phenomenal popularity of Windows, the efficient power of C, and the ascent of exciting new languages like QBasic and Visual Basic.

Now, with NRI at-home training, you can get the new skills you need to build a top-paying career — even a full- or part-time business of your own — in this high-growth, high-opportunity field.

Get hands-on experience with today's programming tools: a powerful 486sx computer, Super VGA color monitor, 200 meg hard drive, Windows, Visual Basic, and more — all yours to keep!

Right from the start, NRI's unique Discovery Learning Method gets you actively involved in the challenge of real-world programming. Step by step, you learn to create the kinds of full-featured, powerful programs today's employers



and clients demand...including programs designed for use in a Windows environment!

Only NRI gives you first-hand programming experience with a state-of-the-art Intel-based 486sx computer system, complete with Super VGA color monitor, 200 meg hard disk drive, a full megabyte of RAM, 1.44 meg 3.5" floppy drive, mouse, and more — all yours to train with and keep!

Plus you explore the extraordinary capabilities of three in-demand programming languages. You learn to design, code, run, debug, and document programs in QBasic, C, and Visual Basic. Best of all, since Visual Basic is specifically designed for creating Windows applications, you learn to generate fully functioning Windows programs, complete with text boxes, command buttons, and other sophisticated graphical interface elements.

No previous experience necessary

Train with NRI, and immediately start getting the money-making job skills you need to be a computer programmer — no matter what your previous background.

NRI's step-by-step lessons and hands-on programming projects help you first master the design concepts used every day by successful PC programmers. Then, with the support of your experienced NRI instructor, you quickly move on to learn programming in three of today's hottest languages.

By the time you complete your course, you have a clear understanding of programming methods, languages, and techniques... and you're ready to handle any programming task with confidence.

Send today for your FREE catalog

See how NRI at-home training gives you the programming know-how, the computer, and the software you need to get started in this top-paying field. Send today for your FREE catalog!

If the coupon is missing, write to us at the NRI School of Computer Programming, McGraw-Hill Continuing Education Center, 4401 Connecticut Avenue, NW, Washington, DC 20008.

IBM PC/AT is a registered trademark of the IBM Corporation. Windows, QBasic, and Visual Basic are trademarks of Microsoft Corporation. Intel Inside logo is a registered trademark of Intel, Inc.

FREE CATALOG! CALL 1-800-321-4634

NRI Schools

McGraw-Hill Continuing Education Center
4401 Connecticut Avenue, NW, Washington, DC 20008

Check one FREE catalog only

COMPUTER PROGRAMMING

PC Applications Specialist

Programming in C++ with Windows

Other Computer Career Courses

Microcomputer Servicing

Desktop Publishing

Bookkeeping and Accounting

Multimedia Specialist

For career courses approved under GI Bill, check for details

Name _____ (please print) _____ Age _____

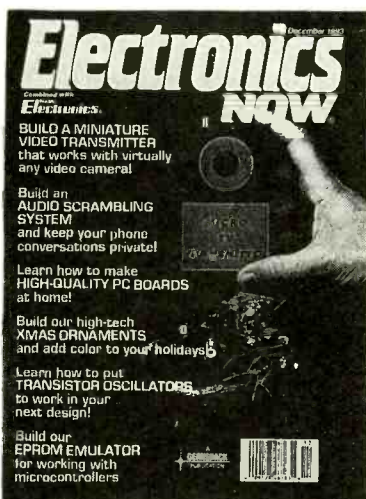
Address _____

City/State/Zip _____ Accredited Member, National Home Study Council 5416-0494

GET THE LATEST ADVANCES IN ELECTRONICS

WITH A SUBSCRIPTION TO

Electronics *Radio Combined with* Electronics® **NOW**®



Electronics Now gives you exciting articles like:

- Buyer's Guide to Digital Oscilloscopes
- Build A Scanner Converter
- Single-Chip Voice Recorder
- Build A MIDI Interface for your PC
- Troubleshoot Microprocessor Circuits
- Build A High-Power Amplifier for your Car
- Add Music On Hold to your Phone
- All About Binaural Recording
- VGA-to-NTSC Converter

ENJOY THE WORLD OF ELECTRONICS EACH MONTH!

Subscribe to the best electronics magazine—the one that brings you the latest high-tech construction projects, feature articles on new technology, practical troubleshooting techniques, circuit design fundamentals, and much more.

Electronics Now looks to the future and shows you what new video, audio and computer products are on the horizon. What's more you'll find helpful, monthly departments such as Video News, Equipment Reports, Hardware Hacker, Audio Update, Drawing Board, Computer Connections, New Products, and more. All designed to give you instruction, tips, and fun.



FOR FASTER SERVICE CALL TODAY

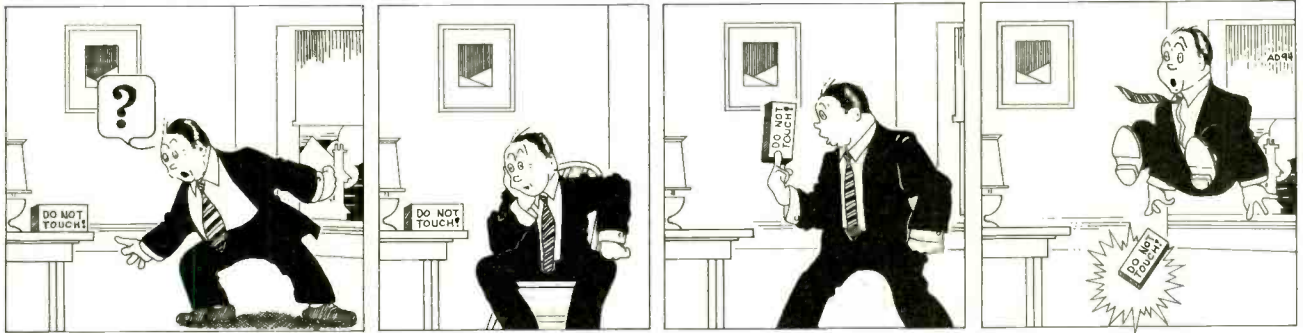
1-800-999-7139

DON'T DELAY SUBSCRIBE TODAY!

Just fill out the order card in this magazine and mail it in today.

7RD42

CATCH AN APRIL FOOL!



Sometimes the simplest electronic projects are the most fun.

KLAUS SPIES

ELECTRONIC PROJECTS DON'T ALWAYS have to be serious. While most projects turn out to be a useful item when they are completed, they might be attractive only to those who find them useful. However, it's the simple novelty items that are often the most popular. That's because simple projects are usually very inexpensive to build, yet they can offer valuable insight into how circuits work. And unlike a device that's useful only to a few people, everyone likes a good gag now and then.

When something is marked with a message such as "Do Not Open Until Christmas," or something similar, the first thing most people want to do is open it—or at least investigate it, immediately. Taking advantage of that trait in human nature, the author invented the Screamer, a nondescript black

box that sits on a coffee table waiting for the first "victim" to come along and pick it up. When the victim does pick it up, the Screamer emits an ear-piercing noise that only people "in the know" can turn off.

Circuitry

Figure 1 is the schematic for the Screamer circuit. When the box is tipped, mercury-switch S1 triggers silicon-controlled rectifier SCR1, that acts as a

PARTS LIST

- R1, R2—1000 ohms
- SCR1—any low-power silicon controlled rectifier
- BZ1—any low-power DC buzzer
- S1—mercury tilt switch
- S2—normally open tilt switch
- Plastic project case, hot-melt glue gun, 9-volt battery and clip, wire, solder, etc.

latch which turns on buzzer BZ1 and keeps it turned on. The SCR can be reset only when power is removed from it. Reed switch S2 resets the SCR. The reed switch is a normally open type, so the only way it can reset the SCR is by having it short the power going to the SCR.

The reed switch is mounted inside the black box against one side, so it cannot be seen from the outside. To close the reed switch, a magnet must be placed against the outside of the case adjacent to the switch. For best results you should use a plastic case. That way the

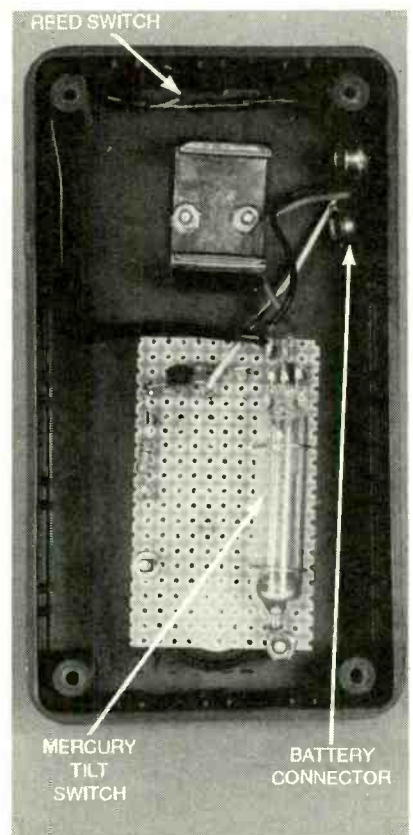


FIG. 2—THE SCREAMER CIRCUIT and a 9-volt battery fit inside a small plastic case.

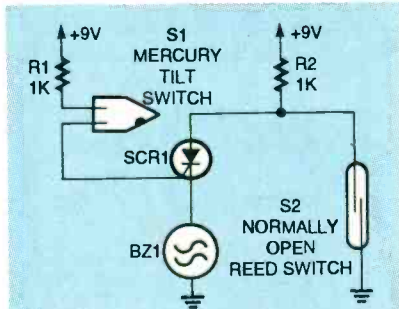


FIG. 1—THE SCREAMER is bound to catch any April fool who blithely ignores the "Do Not Touch" message on the outside of the case.

magnet doesn't have to be very strong, and there will be no chance of magnetizing the case which could prevent the Screamer from working. Note that resistor R2 limits current to protect the reed switch and the 9-volt battery.

Continued on page 82

24 HOUR SHIPPING ELENCO • HITACHI • B&K PRODUCTS GUARANTEED LOWEST PRICES

TO ORDER
CALL TOLL FREE
1-800-292-7711
1-800-445-3201 (Can.)

**AFFORDABLE - HIGH QUALITY
2 YEAR WARRANTY**

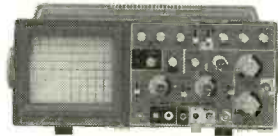


STANDARD SERIES
S-1325 25MHz \$349
S-1340 40MHz \$495
S-1365 60MHz \$849

Features:

- High Luminance 6" CRT
- 1mV Sensitivity
- X-Y Operation
- Voltage, Time, + Frequency differences displayed on CRT thru the use of cursors (S-1365 only)
- Plus much, much more
- TV Sync
- 2 - x1, x10 Probes
- Complete Schematic

ELENCO OSCILLOSCOPES



DELUXE SERIES
S-1330 25MHz \$449
S-1345 40MHz \$575
S-1360 60MHz \$775

Features:

- Delayed Sweep
- Automatic Beam Finder
- Z Axis Modulation
- Built-in Component Test
- Plus all the features of the "affordable" series
- Dual time base
- Illuminated internal gradicule

Hitachi Compact Series Scopes

V-212 - 20MHz Dual Trace	\$399
V-525 - 50MHz, Cursors	\$995
V-523 - 50MHz, Delayed Sweep	\$949
V-522 - 50MHz, DC Offset	\$895
V-422 - 40MHz, DC Offset	\$795
V-222 - 20MHz, DC Offset	\$649
V-660 - 60MHz, Dual Trace	\$1,149
V-665A - 60MHz, DT, w/cursor	\$1,325
V-1060 - 100MHz, Dual Trace	\$1,395
V-1065A - 100MHz, DT, w/cursor	\$1,649
V-1085 - 100MHz, QT, w/cursor	\$1,995
V-1100A - 100MHz, Quad Trace	\$2,495
V-1150 - 150MHz, Quad Trace	\$2,895

B&K OSCILLOSCOPES

2120 - 20MHz Dual Trace	\$389
2125 - 20MHz Delayed Sweep	\$539
1541B - 40MHz Dual Trace	\$695
2160 - 60MHz Dual Trace, Delayed Sweep, Dual Time Base	\$949
2190 - 100MHz Three Trace Dual Time Base, Delayed Sweep	\$1,395
2522A - 20MHz / 20MS/s Storage	\$875

Digital Capacitance Meter



CM-1550B
by Elenco
\$58.95

9 Ranges
.1pF-20,000uF
.5% basic accy.

Big 1" Display Zero control w/ Case

Digital LCR Meter



LC-1801
\$125

Measures:
Coils 1uH-200H
Caps .1pF-200uF
Res .01-20M

by Elenco

Big 1" Display



Digital Multimeter
DVM-638
\$39.95

11 Functions with Case

FLUKE MULTIMETERS

Scopemeters		(All Models Available Call)	
Model 93	\$1,225.00	70 Series	
Model 95	\$1,549.00	Model 7011	\$65.00
Model 97	\$1,795.00	Model 7711	\$149.00
10 Series		Model 7911	\$169.00
Model 10	\$62.95	80 Series	
Model 12	\$79.95	Model 87	\$289.00

12A DC Power Supply



B+K 1686
\$169.95

3-14V @ 12A

Fully regulated & protected
Separate volt & current meters
with current limiting, low ripple

Quad Power Supply XP-580



\$79.95

2-20V @ 2A 5V @ 3A
12V @ 1A -5V @ .5A
Fully regulated and short circuit protected



B&K 390
\$139

3-3/4 Digit DMM
Bargraph
9 Functions Including
Temp, Freq
Rubber Boot



Dual-Display LCR Meter
w/ Stat Functions
B-K 878
\$239.95

Auto/Manual Range
Many Features
w/ Q Factor
High Accuracy

Sweep/Function Generator with Freq. Counter



\$239
Elenco
GF-8026

In/Ext operation
Sine, Square, Triangle, Pulse, Ramp
2 to 2MHz, Freq Counter .1-10MHz

Audio Generator



Elenco GF-800
\$59

20Hz-150KHz
Sine/Square
Waves
Handheld

2MHz Function Generator



B+K 3011B
\$219.95
LED Display, Sine, Square, Triangle, Ramp & Pulse Waves. TTL & CMOS

Digital Multimeter Kit with Training Course



Elenco
M-2665K
\$49.95

Fun & Easy to Build

Full Function 34 Ranges, Includes
Capacitance, Transistor/Diode Testing
20Amp AC/DC, Extra Large Display, Ideal
School Project **M-2661 (assembled) \$55**

Learn to Build and Program Computers with this Kit

Includes: All Parts, Assembly and Lesson Manual



Model
MM-8000
\$129.00
by Elenco

Starting from scratch you build a complete system. Our Micro-Master trainer teaches you to write into RAMs, ROMs and run a 8085 microprocessor, which uses similar machine language as IBM PC.

Elenco Wide Band Signal Generators



SG-9000
\$119
RF Freq 100K-450MHz AM Modulation of 1KHz Variable RF output
SG-9500 w/ Digital Display & 150MHz built-in counter \$239

TELEPHONE PRODUCT TESTER



B+K 1045A
\$499.95
Provides basic operation tests for corded & cordless telephones, answering machines and automatic dialers.

Multi-Function Counter



Elenco F-1200
1.2GHz
\$229

Measures Frequency, Period, Totalize
8 LED digits, Crystal oven oscillator,
.5ppm accuracy

WE WILL NOT BE UNDER SOLD

UPS SHIPPING: 48 STATES 5% OTHERS CALL
IL RES add 7.75% TAX

C&S SALES INC.

1245 ROSEWOOD, DEERFIELD, IL 60015
FAX: 708-520-0085 • (708) 541-0710



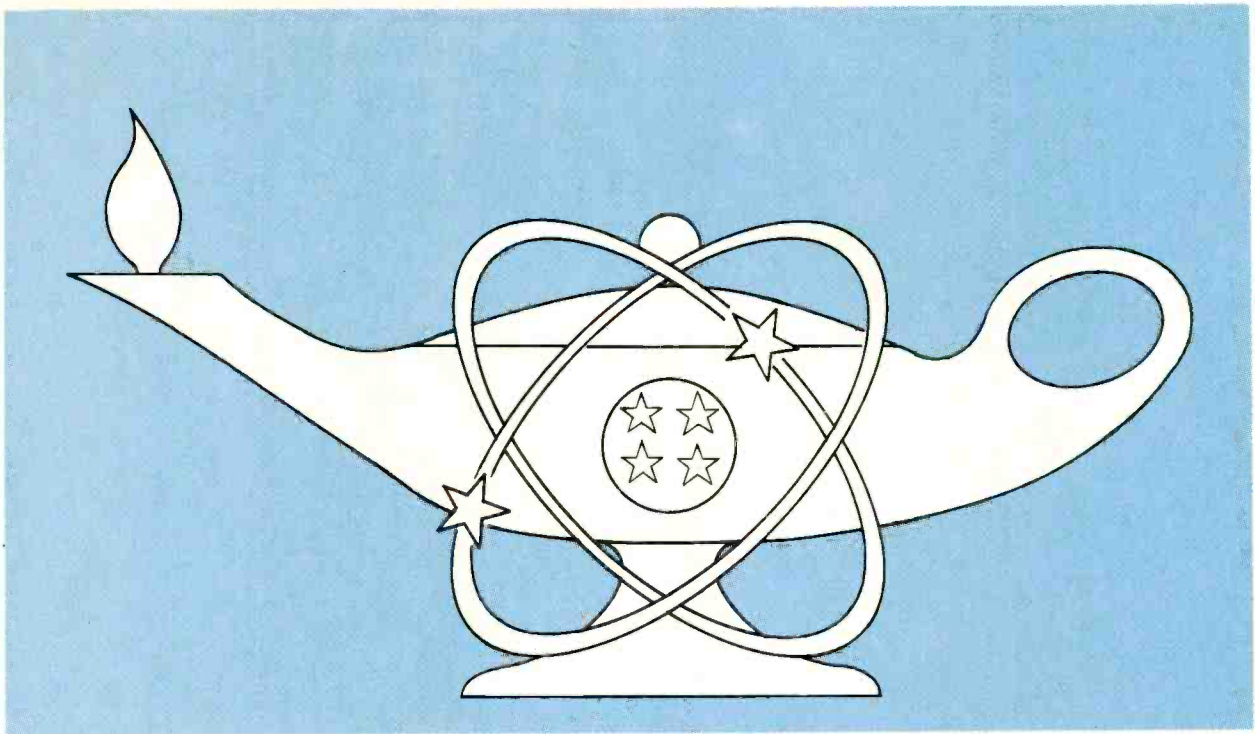
15 DAY MONEY BACK GUARANTEE

FULL FACTORY WARRANTY

WRITE FOR FREE CATALOG

PRICES SUBJECT TO CHANGE

CIRCLE 109 ON FREE INFORMATION CARD



NATIONAL ELECTRONICS TECHNICIANS DAY

International Electronics Technician's Day is the right time to join the ranks of the Certified Service Professionals

ELECTRONICS IS EXPANDING INTO all walks of human activity at a near explosive rate—nobody is immune to its influence. You need only look at the latest innovations in banking, business, communications, entertainment, finance, industry, medicine, military systems, and transportation. Leading the way are products and systems that include microprocessors or microcontrollers.

The personal computer has recently become a consumer "appliance," and increasingly powerful versions of the PC have been shrunk to notebook size. Planning is underway for the so-called electronic highway that will connect you to a vast national network and give you

the benefits of interactive communications: You'll be entertained, or be able to make calls, go shopping, do your banking, and even attend classes without leaving the comfort of home.

"Intelligent" processors are now embedded in many of the products you encounter and use in everyday life—autos, cameras, dishwashers, refrigerators, telephones, and TVs—to mention but a few.

The worldwide demand for electronics products and the rising complexity of products and systems has increased the demand for professionals trained in developing, integrating, maintaining and repairing this vast plethora of high-tech hardware.

Expert electronics technicians participate in the development, prototyping, and testing of new products. They also integrate and maintain all kinds of electronics systems and networks. And they are the people you call when today's generally reliable electronics products malfunction or fail. Their years of professional training and experience permit them to make needed repairs in a timely and economical manner.

In recognition of the skilled electronics technicians of the world, the International Society of Certified Electronics Technicians (ISCET) has proclaimed April 5, 1994 as International Electronics Technicians Day. That date assumes special

ISCET CERTIFIED ADMINISTRATORS FOR CET EXAM

Cindy Johnson
Herzing Institute
1218 South 20th St.
Birmingham, AL 35205
(205) 933-8536

William Patterson
Gadsden State Comm Collg
1001 East Broad St
Gadsden, AL 35999
(205) 549-8659

Ricky G Reaves, CET, CA
Shoals Comm Collg
PO Box 2545
Muscle Shoals, AL 35662
(205) 381-2813

David L Bryan, CET
AI Aviation & Tech Collg
PO Box 1209
Ozark, AL 36360
(205) 774-5113, Ext. 252
(205) 744-0163-H

R T Van Iderstine, CET
14563 South Blvd
Silverhill, AL 36576
(205) 947-4441-H
(205) 479-7476-W

Dennis P Blum, CET, CA
High Tech Inst
1515 E Indian School
Phoenix, AZ 85014
(602) 279-9700
(602) 872-8564-H

H J Paine, CET
4631 E 8th St
Tucson, AZ 85711
(602) 881-6784

Roy Yonce
PO Box 723
Bentonville, AR 72712
(501) 273-9319
(918) 865-2569

Billy J Edmonds, CET
1311 16th St
Baywood, CA 93402
(805) 547-7900, Ext. 4671-W
(805) 528-8523-H

Donald R Parker
432 Earle St
Blythe, CA 92225
(619) 922-5300 Ext. 7616
(619) 922-2868

John V Craig, CET
531 W Huene Rd
Oxnard, CA 93033
(805) 982-5228

David Marson, CET, CA
Mac Doctor
1040 W Kettleman Lane #1B-339
Lodi, CA 95240-6056
(209) 368-5628

Raymond L Unser, CET, CA
Sony
3300 Zanker Rd
San Jose, CA 95134-1940
(408) 955-4120

Howard Bardach, CET
The Audio Specialist
4381 Tujunga Ave
Studio City, CA 91604
(818) 763-3009

George W Brownyard, CET, CA
Con-Pro Video
4646 Convoy St #113
San Diego, CA 92111
(619) 495-0392

Peter J Moreno, CET, CA
ITT Tech Inst
630 E Brier Dr #150
San Bernardino, CA 92408
(909) 889-3800

Don Winchel, CET, CA
M & D Electronics
PO Box 123
Smartville, CA 95977
(916) 639-2477

Steven R Thomas, CET, CA
2306 Marilyn Ave
Redding, CA 96002
(916) 222-2541

John F Stackhouse, CET
2665 S Peoria St
Aurora, CO 80014
(303) 750-2372

John E Depalma, CET
CT School of Elect
586 Ella Grasso Blvd
New Haven, CT 06519
(203) 624-2121

Daniel J. Shea, CET
CT School of Elect
586 Ella Grasso Blvd
New Haven, CT 06519
(203) 624-2121

James Ewing, CET
Porter & Chester Inst
125 Silas Deane Hwy
Wethersfield, CT 06109
(203) 529-2570

Edward Guary Sr, CET
Eddy's Radio & TV Svce
1110 NE 4th Ave
Ft Lauderdale, FL 33304
(305) 763-2964

Karl A Hunter, CET
13850 Ketch Cove Dr
Jacksonville, FL 32224-1143
(904) 633-8143
(904) 223-5289

John N Eubanks, CET, CA
PO Box 7574
Jacksonville, FL 32238
(904) 772-1420

Ronald A Handlon, CET, CA
Nec Bauder College
7955 NW 12 St
Miami, FL 33126
(305) 477-0251-W
(305) 485-6858-H

Mauricio Quevedo, CET, CA
Hi-Tech School of Miami
10350 West Flagler St
Miami, FL 33174
(305) 221-3423

J J Villademoros, CET, CA
ITT Tech Inst
4809 Memorial Way
Tampa, FL 33634-7515
(813) 885-2244

William S Brooks, CET
7112 N Habana Ave
Tampa, FL 33614-4365
(813) 933-1793

Daniel B Mundy, CET
Norman's Electronics
3653 Clairmont Rd Ne
Atlanta, GA 30341
(404) 451-5057
(404) 373-8037

James P Van Sant, CET
Pickens Tech
100 Pickens Tech Drive
Jasper, GA 30143
(404) 692-3411

Ebin Shepard, CET, CA
Bloomfield TV Svc Inc
2481 Rocky Creek Rd
Macon, GA 31206
(912) 788-5281

Eddie C Lane
1501 Honeysuckle
Champaign, IL 61821
(217) 217-356-6996
(217) 333-1070

F A Schwarzkopf, CET/CA
3708 W 83 Place
Chicago, IL 60652
(312) 767-4126

Paul K Tan, CET
915 Augusta St
Oak Park, IL 60302-1678
(312) 848-6327

George Sopocko, CET, CA
The Radio TV Lab
5631 W Irving Pk Rd
Chicago, IL 60634
(312) 545-3622

Frank Teskey, CET
F J Teskey Enterprises
3094 Lafayette Rd
Indianapolis, IN 46222
(317) 926-2639

Leonard E Bowdre, CET
125 SE Thornton Ave
Des Moines IA 50315
(515) 964-6484

Stanley Cretz, CET
Nck Area Vo Tech
PO Box 507-West Campus Dr
Beloit, WI 53520
(913) 738-2279

Dr G W Ko, CET
550 N Fountain
Wichita, KS 67208
(316) 686-4864 H
(316) 686-1001 W

Michael L Baughman, CET
Ks City Area Vo Tech
2220 N 59th St
Kansas City, KS 66104
(913) 334-1000, Ext. 48
(913) 596-5500

Keith E Knos, CET
Knos Electronics
1206 Elm Blvd
Liberal, KS 67901
(316) 624-5908

Lamarr W Ritchie, CET
Hazard State Vo-Tech School
101 Vo-Tech
Hazard, KY 41701
(606) 436-3101
(606) 476-2873

Edward J Kimmel, CET
Kimmel Electronics
2061 Eastern Parkway
Louisville, KY 40204
(502) 451-3457

Jesse B Adkinson, CET, CA
Inst of Elect Tech
509 S 30th St
Paducah, KY 42011
(502) 444-9676

Michael Dixon, CET
KY Tech-Somersel Campus
714 Airport Rd
Somerset, KY 42501
(606) 679-4303
(606) 679-4404

James R Sorrels, CET/CSM
110 Oakridge Dr
Shreveport, LA 71106-7113
(318) 797-2952

Jeffrey L Luminais, CET, CA
4014 Arkansas
Kenner, LA 70065
(504) 888-6848

Milton A Kennedy
New Orleans Tech Inst
980 Navarre Ave
New Orleans, LA 70124
(504) 483-4629

Earl Tickler, CET
Rets Tech Trng Cntr
1520 S Caton Ave
Baltimore, MD 21227
(301) 644-6400

Scott D Latino, CET
East Coast Aero Tech
696 Virginia Rd
Concord, MA 01742
(508) 371-9977

Robert M Braunston, CET, CA
Rets Elec Schools
965 Commonwealth Ave
Boston, MA 02215
(617) 783-1197

Willard Rush, CET
485 Amberwood St
Auburn Hills, MI 48326-1129
(313) 333-2531

Gerald H Heyn, CET
132 Blueberry
Gwinn, MI 49841
(906) 346-6396

meaning this year because, for the first time, ISCET examiners have been granted the privilege of administering commercial license examinations for the Federal Communications Commission (FCC). This will make it more convenient for candidates to take those exams because many more test locations will be available.

The administration of FCC examinations supplements ISCET's long-held role as examiners for its Certified Electronics Technician (CET) and Certified Appliance Technician (CAT) programs.

"ISCET's ability to certify commercial radio operators for the FCC is an important step forward for ISCET," declared ISCET Chairman Larry Steckler CET/EHF. "ISCET's professional certification of electronics tech-

nicians has been recognized internationally for more than 28 years; possession of ISCET certification indicates that the holder has met the highest professional performance standards," he added.

"By actively participating in FCC testing and including it in its activities, ISCET has once again demonstrated its leadership role and responsibility in the electronics industry," Mr. Steckler asserted.

National Testing Day

In addition to its designation as International Electronics Technicians Day, April 5, 1994, has also been designated as International Testing Day for the certification of electronics and appliance technicians. A large number of volunteer ISCET test administrators will encourage

non-certified technicians to demonstrate their technical expertise on "T-Day." They are urged to take one or more of the many different professional exams being offered by ISCET.

So far, more than 150 ISCET Certification Test Administrators have volunteered to serve on Electronics Technicians Day. They will offer CET, CAT, and FCC testing from April 2 through April 9. A complete list of test sites (including **Electronics Now's** editorial offices in Farmingdale, NY) are presented above.

FCC exams

The two FCC examinations now available through ISCET are Element 1, *Basic Radio Law and Operating practice* and Element 3, *Electronic Fundamentals and Techniques Re-*

ISCET CERTIFIED ADMINISTRATORS FOR CET EXAM

Dr Joel Goldberg, CET Macomb Comm Collg 14500 12 Mile Rd Warren, MI 48093 (313) 445-7343 (313) 445-7455	Charles (Bill) Smith Berean Inst Jr Coll 400 Wyoming Ave Audubon, NJ 08106 (609) 546-5450 1-800-336-7696	Rod Schlingerman, CET PVS Electronics Inc 2887 Silver Dr Columbus, OH 43211 (614) 478-8200 (614) 471-9010	John F Grzesiak, CET, CA 27 Lighthouse St Erie, PA 16507-1937 (814) 459-2519	Arthur J Ruppert, CET 30217 St Andrews Georgetown, TX 78628 (512) 863-9157 (512) 259-1198	Leonard M Cowherd, CET Piedmont Tech Ed Cntr PO Box 999 Culpeper, VA 22701 (703) 825-0476
E Eugene Ranta, CET, CA 58120 Timothy Washington, MI 48094-2916 (313) 781-9524	Larry Steckler, EHF/CET Gemsback Publications 500-B Bi County Blvd Farmingdale, NY 11735 (516) 293-3000	J S Glosemeyer, CET East OK Cnty Vo Tech 4601 N Choctaw Rd Choctaw, OK 73020 (405) 390-9591	William F Margut c/o Electronics Inst 19 Jamesway Plaza Middletown, PA 17057-4851 (717) 944-2731	Tom C Underwood, CET Sony Service Company 3201 Premier #100 Irving, TX 75063 (214) 550-5270 (214) 357-0644	James R Williams Warrenton Trng Cntr PO Box 700-Bldg B-51 Warrenton, VA 22186 (703) 349-3588 (703) 349-4309
Charlotte Burk St Tech Inst of Rehab Cntr 33 Alber Dr Plainwell, MI 49080 (616) 664-9253	Hubert West, CET 20 Schuyler St Lake George, NY 12845 (518) 668-9285	Noah Harelson, III, CET, CA Tulsa Tech Cntr 3850 N Peona Tulsa, OK 74106-1691 (918) 428-2261	Thomas Plant, CET, CA ETG of Rhode Island 29 Dean St Pawtucket, RI 02861 (401) 723-3500, Ext. 333 (401) 725-8719	Loren R Hodge 3614 28th St Lubbock, TX 79410 (806) 795-8617	James Richerson, CET, CA Blue Ridge Comm College Box 80 Weyers Cave, VA 24486 (703) 885-5960, Ext. 276 (703) 234-9261
R J Hendrickson, CET, CA Duluth Tech Inst 2101 Trinity Inst Duluth, MN 55811 (218) 722-2801, Ext. 342	Joseph A Passaretti, CET, CA Pyramid Electronics Ltd 353 E 76th St New York, NY 10021 (212) 628-6500	Curtis E Knight, CET Central TV 203 East Idaho Ave Ontario, OR 97914 (503) 889-2159	Don Multerer, CET Sencore Inc 3200 Sencore Dr Sioux Falls, SD 57107 (605) 339-0100	Preston Wallace, CET 445 South Fuqua St Rockport, TX 78382-4807 (512) 852-8022	M B Hixenbaugh, CET, CA 8720 36th St W Tacoma, WA 98409 (206) 475-8861
Annabel L Gooch Dav's Hart Mavts 905 N Wade St Mexico, MO 65265 (314) 581-5684	Gary L Memory, CET, CA American Embassy PSC-108 Box 36 APO AE 09842 807-0813-H	Vern Hartshorn, CET Mt Hood Comm Collg 26000 SE Stark St Gresham, OR 97030 (503) 667-7117	Willie L Godwin, Jr, CET, CA Sencore 3200 Sencore Dr Sioux Falls, SD 57107 (605) 339-0100, Ext. 300	Gerald Martin, CET 3347 Falcon Grove San Antonio, TX 78247 (512) 496-1134	Ron L Syth, Director ITT Tech Inst N 1050 Argonne Rd Spokane, WA 99206 (509) 926-2900
Manion B Denny, Jr, CET, CA 1909 6th St Meridian, MS 39301 (601) 485-8453	Joseph Passaretti, CET, CA Pyramid Electronics LTD. 353 E 76th St New York, NY 10021 (212) 628-6500	Larry Broschart, CET 14124, NE Knott St Portland, OR 97230 (503) 255-6713 (503) 253-9017	Bill Warren, CET Warren's Audio-Video Svcs 2540 Sutherland Ave Knoxville, TN 37919 (615) 546-1121	John L Copeland, CET, CA TX State Tech Collg 3801 Campus Dr Bldg 16-1 Waco, TX 76705 (817) 867-4883	Michael Szymkewicz, CET Olympic College 16th & Chester Bremerton, WA 98310 (206) 478-4605
W Clem Small, CET, CA 764 Coal Pitt Rd Carvallis, MT 59828-9718 (406) 961-5262	Sammie C Thornton, CET Wake Tech Comm Collg 9101 Fayetteville Rd Raleigh, NC 27603 (919) 662-3519	James C Shambow, CET 6035 NE 78th Ctr # 100 Portland, OR 97218 (503) 255-6500	Herman Patrick 3715 Lamar Ave Memphis, TN 38118 (901) 362-8368	Joseph Benoit, CET, CA 802 Lochnell Dr Houston, TX 77062 (713) 286-2070-W (713) 486-7176-H	Ted Rodriguez, CET Kagit Valley College 2405 College Way Mt Vernon, WA 98273 (206) 428-1248
Earl Fosler, CET SE Community College Rt 2 Box D Millford, NE 68405 (402) 761-2131, Ext. 266	Cecil F Edwards, CET, CA 126 Chestnut Forest Dr Fairview, NC 28730 (704) 628-9006, Ext. 2014	Thomas V Gaudiello, CET Rets Education Center W Chester Pike & Main Rd Broomal, PA 19008 (215) 353-7630	Ross Hutcherson, CET, CA 781 Iron Workers Rd Clarksville, TN 37043-7911 (615) 362-9440	Earl W Hines, CET, CA 1710 Lamar-Lot #2 Sweetwater, TX 79556-7150 (915) 235-1849-H (915) 235-7404-W	Richard K Evans, CET PO Box 217 Wilkinson, WV 25653 (304) 752-7267
Fred H Freeman, Jr Reynolds Elect & Engrn Co 2952 Meade Ave Las Vegas, NV 89102 (702) 295-1915	David J Garwacki, CET Sales & Service 4846 Oak Glen Dr Toledo, OH 43613-3048 (419) 475-9221	Henry W Corrie, CET 1460 C.R. 3413 Chandler, TX 75758 (903) 852-4140	James Harris, CET 3512 Chisholm Trail Killeen, TX 76543-3172 (817) 288-2826 (817) 699-7376	Russell R Offhaus, CET PO Box 1116 Chincoteague, VA 23336 (804) 336-5980 (804) 824-3500	Thomas D Leitschuh, CET Tdl Electronics 8014 W National Ave West Allis, WI 53214-4554 (414) 774-2929

quired to Adjust, Repair, and Maintain Radio Transmitters and Receivers. By passing both of those tests, the candidate will qualify for an FCC General Radiotelephone License.

Other FCC license exams will be made available from ISCET this year. As question "pools" for other elements are released to the Commercial Operator License Managers, ISCET test administrators will also be able to offer them. Included on the list of exams that ISCET is expected to be able to administer to applicants are:

- Elements 1 and 2 or 3 and 4, Telegraphy exam for receiving Morse code
- Element 5, Radiotelegraph-operating practices
- Element 6, Advanced radiotelegraph, technical, and legal
- Elements 7 and 9, Global Mar-

itime Distress and Safety Systems (GMDSS) operating practices and radio maintenance

- Element 8, Ship-radar endorsement.

Those examinations are being developed in collaboration with FCC's Private Radio Bureau, Aviation and Marine Branch. George Dillon, Chief of the Branch, reports that the question pools for all of the exams should be available to the general public before the end of May, 1994.

The FCC released its first question pool to examiners on September 6, 1993. The first technician to be FCC certified by ISCET on September 16, 1993 was Antonio C. Gomez of Santa Isabel, Puerto Rico. Mr. Gomez received the first certificate serial number of I-93-000001.

In the beginning

ISCET was founded in 1970 by a committee of Certified Electronics Technicians. Their main purpose was to foster respect and recognition for their profession. By maintaining the rigorous standards of its certification program, ISCET can identify and recognize highly skilled and knowledgeable technicians. Membership is open only to those technicians who have passed the Journeyman CET exam, the CAT exam, or the Associate CET exam.

In addition to receiving regular newsletters and magazines, members are informed about ISCET-sponsored conventions and technical-training seminars. Members also receive frequent updates on new technology, an annual directory of industry information, and

many other technical benefits available only members. At the annual National Professional Electronics Convention (NPEC), technicians receive the latest in advanced-technology training from knowledgeable, expert instructors.

The members are also invited to attend the annual ISCET convention and membership meetings. During NPEC, some members are selected to participate in ISCET's Product Serviceability Program.

ISCET's main function is the direction and administration of the CET program, developed to measure the theoretical knowledge and technical proficiency of practicing technicians. Responsible industry executives recognize a technician with CET certification as one who possesses professional training, experience, and competence in his specialty area.

Since its creation in 1965 by the National Electronic Association, the CET program has been widely recognized by technicians, Government agencies, manufacturers, and consumers. Many electronics companies encourage their technicians to qualify for ISCET certification—and some even require it! More than 35,000 technicians have proven their ability by earning the coveted ISCET certification.

The CET exam

To become fully certified by ISCET, a technician must have at least four years of formal electronics training and experience. In addition, he or she must pass both a 75-question Associate and a 75-question Journeyman test. The passing grade for each of the multiple-choice exams is 75%.

The Associate examination covers basic electronics fundamentals, and each Journeyman option covers a specialized field of electronics technology.

An electronics technician or student with less than four years of experience may apply for Associate-level certification. The basic subjects on which the candidate will be examined include: Electronics Math, DC

and AC Circuits, Transistors and Semiconductors, Electronic Components, Instruments, Tests and Measurements, and Troubleshooting.

The Associate exam is usually more challenging for the technician candidate than the specialty exam because it requires a broad knowledge of electronics plus the ability to analyze and troubleshoot circuit problems. Of the technicians who take



LARRY STECKLER CET/EHF, ISCET Chairman and the Publisher and Editor-in-Chief of *Electronics Now* (second from left) with FCC officials at FCC's Licensing Bureau in Gettysburg, PA. From left, Gary Stanford, Steckler, Larry Weikert, and W. Reilly Hollingsworth.



CERTIFIED ELECTRONICS technicians William Warren, Donald Cressin, and Freeman Douglas, diligently take notes during a serviceability inspection at an ISCET conference.

this exam, about one-third pass on their first try.

Individual Journeyman exams focus on many different electronic specialties. The present set includes:

- **Audio**—The questions cover amplifiers and sound quality, system integration, speaker installation, servicing audio products, and troubleshooting audio systems. The exam includes questions on both digital and analog audio.

- **Communications**—The questions address communications circuits and transmission systems, AM and FM transmitters and their adjustment, receiver adjustment, and the

servicing and troubleshooting of systems.

- **Computers**—The questions cover binary mathematics, logic gates, the basics of digital electronics and computers, local area network organization, input and output peripherals, memory, elementary programming, and the troubleshooting of computer systems.

- **Consumer**—The questions cover both digital and analog circuits in consumer electronics products. There are, for example, specific questions on the troubleshooting and servicing of televisions and VCRs, and the operation of applicable service test instruments.

- **Industrial**—The questions cover DC and AC power supplies, transducers, sensors, switches, differential amplifiers, logic circuits, analog and digital circuitry, microprocessors and computer systems, and circuit analysis and troubleshooting of industrial electronic systems.

- **Medical**—The questions cover the principles of electrical safety, basic circuitry, the operation of electronic test instruments, telemetry, and the calibration of typical biomedical instrumentation.

- **Radar**—The questions cover both pulse and continuous-wave radar operation, radar transmitters and receivers, CRT display systems, radar power supplies, antennas, and the principles of transmission lines.

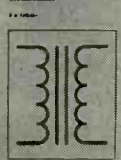
- **Video**—The questions cover the basics of video, knowledge of NTSC standards, test signal generation, the principals of video tape recording, VCR tape-drive mechanisms, camcorders, TV cameras and monitors, and the microprocessor as it applies to video.

The CAT exam

CAT testing is only one year old. "It opens a whole new field for the trained and certified technicians," says Mr. Steckler. "Have you closely examined modern appliances lately?" he asks. "Whether it's a microwave oven, washing machine, dishwasher, or air conditioner, it's

FUN WITH ELECTRONICS

Coil Design and Construction Manual



◀ □ **160—COIL DESIGN & CONSTRUCTION MANUAL** \$5.95. How to make RF, IF, audio and power coils; chokes and transformers. Practically every possible type is discussed.

□ **PCP113—THE PC MUSIC HANDBOOK** \$13.95. Learn the basics of computer music systems. For the professional musician, gifted amateur or just plain curious.



◀ □ **BP297—LOUDSPEAKERS FOR MUSICIANS** \$6.25. Loudspeaker design from the musician's point of view! All you need to know, and you should be able to design your own after reading this.

□ **BP277—HIGH POWER AUDIO AMPLIFIER CONSTRUCTION** \$6.25. Here's background and practical design information on high power audio amplifiers capable of 300±400 watts r.m.s. You'll find MOSFET and bipolar output transistors in inverting and non-inverting circuits.



◀ □ **BP302—A CONCISE USER'S GUIDE TO LOTUS 1-2-3 RELEASE 3.1** \$6.25. If you are a PC user and want to upgrade to Lotus 1-2-3 release 3.1, this book can teach you how to do that in the shortest and most effective way.

□ **BP298—A CONCISE INTRODUCTION TO THE MACINTOSH SYSTEM AND FINDER** \$6.25. This introduction for those new to the Mac, this book also serves as a quick refresher for experienced owners that have not used the machine in some time.



MAIL TO: Electronic Technology Today, Inc.
P.O. Box 240
Massapequa Park, NY 11762-0240

SHIPPING CHARGES IN USA AND CANADA

\$0.01 to \$5.00	... \$1.50	\$30.01 to \$40.00	.. \$5.50
\$5.01 to \$10.00	.. \$2.50	\$40.01 to \$50.00	.. \$6.50
\$10.01 to \$20.00	.. \$3.50	\$50.01 and above	.. \$8.00
\$20.01 to \$30.00	.. \$4.50		

SORRY, No orders accepted outside of USA and Canada

Total price of merchandise \$	_____
Shipping (see chart) \$	_____
Subtotal \$	_____
Sales Tax (NYS only) \$	_____
Total Enclosed \$	_____

Name _____
Address _____
City _____ State _____ Zip _____

SATELLITE TV

continued from page 40

have no access to cable TV. Although the service doesn't offer any truly new programming to consumers, Thomson is confident that it can also attract some of the 20 to 30 million homes that have access to cable but don't subscribe. Of course, there is also a potentially huge market of subscribers who, for one reason or another, are simply dissatisfied with their cable companies.

The expected break-even point for both Hughes and USSB, the two companies that invested in the satellite, is only about 3% of all households or 3 million subscribers. A DirecTV spokesman, stressing the system's value, flexibility, and performance, said, "We'd be very happy with 10% penetration over the next half dozen years. We think we're going to get that if our market research is anywhere near correct."

Thomson stresses that even those homeowners who don't subscribe to cable—although they have access to it—do rent video tapes, often on a daily basis. Pay-per-view programming, of course, eliminates the need to travel to a video rental store.

The DSS system claims quality advantages over conventional TV program distribution. At a demonstration attended by **Electronics Now**, the picture—sent digitally via a traditional satellite and decoded by a DSS receiver—approached laserdisc quality. Only large-dish satellite systems and videodiscs can offer similar quality. DSS also has a larger channel capacity than any existing cable system, and the pricing packages announced so far are less expensive than similar cable packages.

Some analysts point out that DSS could be superseded by the so-called information superhighway and its interactive systems. DSS is, however, here now. The consumers' appetite for programming has been proven by cable (66% penetration) and by video rentals (about

\$3.8 billion industry in 1992). Whether consumers want to interact with their TVs is still open to debate.

Another possible shortcoming for the system is that a consumer who wants to receive digital satellite programming must invest at least \$700. However, project spokespersons point out that \$700 is a small fraction of the cost of a new, large-screen TV—which requires the highest quality signals.

At this time, only one thing is certain. Consumers now have an additional source for video entertainment. □

APRIL FOOL

continued from page 75

Construction

First select the components you will use. Any buzzer that can be driven from a 9-volt battery will work. Be sure the buzzer is capable of making a sound loud enough to be startling. The buzzer must be small enough to fit inside the case you selected along with the 9-volt battery.



IT'S A SIMPLE ENOUGH WARNING. But many an April Fool can't resist.

Mount the mercury switch in a slightly tilted position so that when the box is lying flat on a table (waiting for a hapless victim), it is not enabled. The mercury switch can be fastened in place with a hot-melt glue gun. Glue the reed switch to an inside surface of the case so that the field of a magnet placed on the outside of the case will close it. The reset magnet, if small enough, can be fastened to the palm side of a low-priced ring to make it as inconspicuous as possible. Figure 2 shows the inside of the author's prototype. □

EQUIPMENT REPORTS

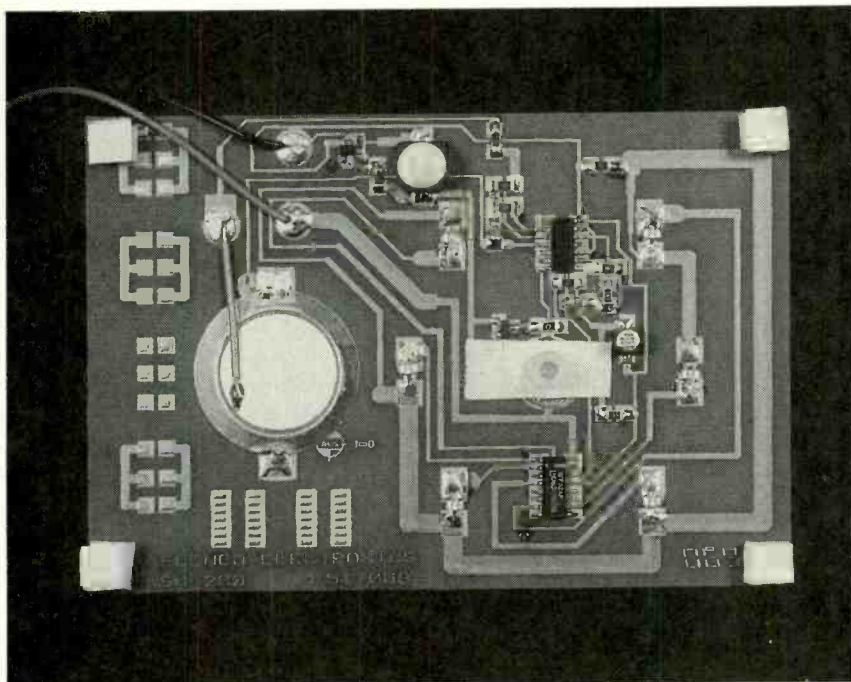
continued from page 16

perature is satisfactory.

Chip capacitors and resistors are tiny rectangular components about 2 millimeters long with a tinned metal surface on each end. The chip rests on the board and the metalized ends are soldered to matching foil pads below them. The chip ca-

they're needed or not. They're about the same size as chip resistors with two leads on one long side and one on the other. They're also no more difficult to handle than the resistors and capacitors. Chip ICs, on the other hand, are very difficult to solder. The leads are spaced less than a millimeter apart, and it's very easy to create solder bridges between them.

The finished board must be test-



WITH CAREFUL HANDS and the right tools, soldering SMT components is easy.

pacitors (two in all) are too small to have value labels. They are individually packaged and labeled and must be identified from the package. However, the chip-resistor values are actually easier to read than on their color-coded cousins, at least for people who can read the small numbers written on them. Interpreting color-coding takes more time than reading numbers. The first two numbers on a chip resistor indicate the first and second digits in its value, and the third number indicates the number of zeros that follow. So to find all the 470-ohm resistors, all you have to do is pick out all the chips labeled "471." Handling chip components is another story, however—tweezers are required, and if you sneeze, you could easily loose them to the carpet.

SMT transistors, diodes, and LEDs all have three pins, whether

ed before attaching the red plastic lens. All this involves is shorting two PC pads with the switch contact. The switch is just a curved piece of metal that rests on an outer trace while it spans an inner trace. Finger pressure snaps the center of the metal span down onto the center trace, completing the circuit. If the soldering work was done correctly and a battery is snapped into the connector, the Decision Maker should come to life. The lens is mounted over the board with thick double-sided foam tape; a plastic spacer is positioned between it and the switch. Squeezing the unit turns it on.

The SM-200K Decision Maker kit will give you valuable SMT experience and it is a great toy either for the builder or some kid he knows. The experience gained from the kit is worth more than its \$21.50 price. Ω

SURVEILLANCE & SECURITY

FM TRANSMITTERS MINIATURE (KITS)

- 3-VOLT FM XMTR, up to 300 ft. indoors, 1500 ft. outdoors
- PHONE XMTR, range to 500 ft., uses phone-line power
- Sound-Activated XMTR, range to 500 ft.
- 2-STAGE XMTR, 9-Volt, very powerful

All above require simple soldering at 2 to 4 places. Broadcast on std FM band. Assemble in less than 5 minutes. Any of the above **\$29.95****

TELE CALL FORWARDER. Transfers incoming calls to any number you select. **\$99.00***

CALLER ID. Registers incoming number and stores to 50 numbers. **\$99.00***

TEL REGISTER WITH PRINTER. Records dialed number, duration, and prints record. 16-digit display with security lock control. Stores up to 40 calls. **\$129.00***

12-HOUR LONG-PLAY RECORDER. Modified Panasonic. Records 6 hrs. on each side of 120 tape (supplied). Compatible with VOX and Tel Rec Adapter. **\$119.00***

VOX VOICE-ACTIVATED SWITCH. Makes recorder self-activating with voices or other sounds. Great for radios and scanners. Provisions for external mike and/or patch cord. **\$28.50****

TELEPHONE RECORDING ADAPTER. Records incoming and outgoing calls. Use of handset controls recorder and records both sides of conversation. **\$28.50***

TELEPHONE SCRAMBLERS. Over 51,000 separate codes; impossible to break code. Assures utmost privacy. **\$295.00***

VOICE CHANGER. Changes man's voice to lady's and vice versa. 4 separate settings. Ideal for disguising voice. **\$29.95***

RF BUG DETECTORS, AND MUCH MORE

FREE CATALOG:

TOLL FREE 1-800-926-2488

For Shipping and Handling add *\$5.00 and **\$2.00 per item. Colo. residents add sales tax. Mail Order. VISA, M/C, COD's o.k. Inquire for dealer prices.

A.M.C. SALES, INC.

193 Vaquero Drive
Boulder, CO 80303
Tel: (303) 499-5405
Fax: (303) 494-4924

Mon-Fri 8:00 a.m. - 5:00 p.m. MTN

CIRCLE 108 ON FREE INFORMATION CARD

WHAT'S NEWS

continued from page 6

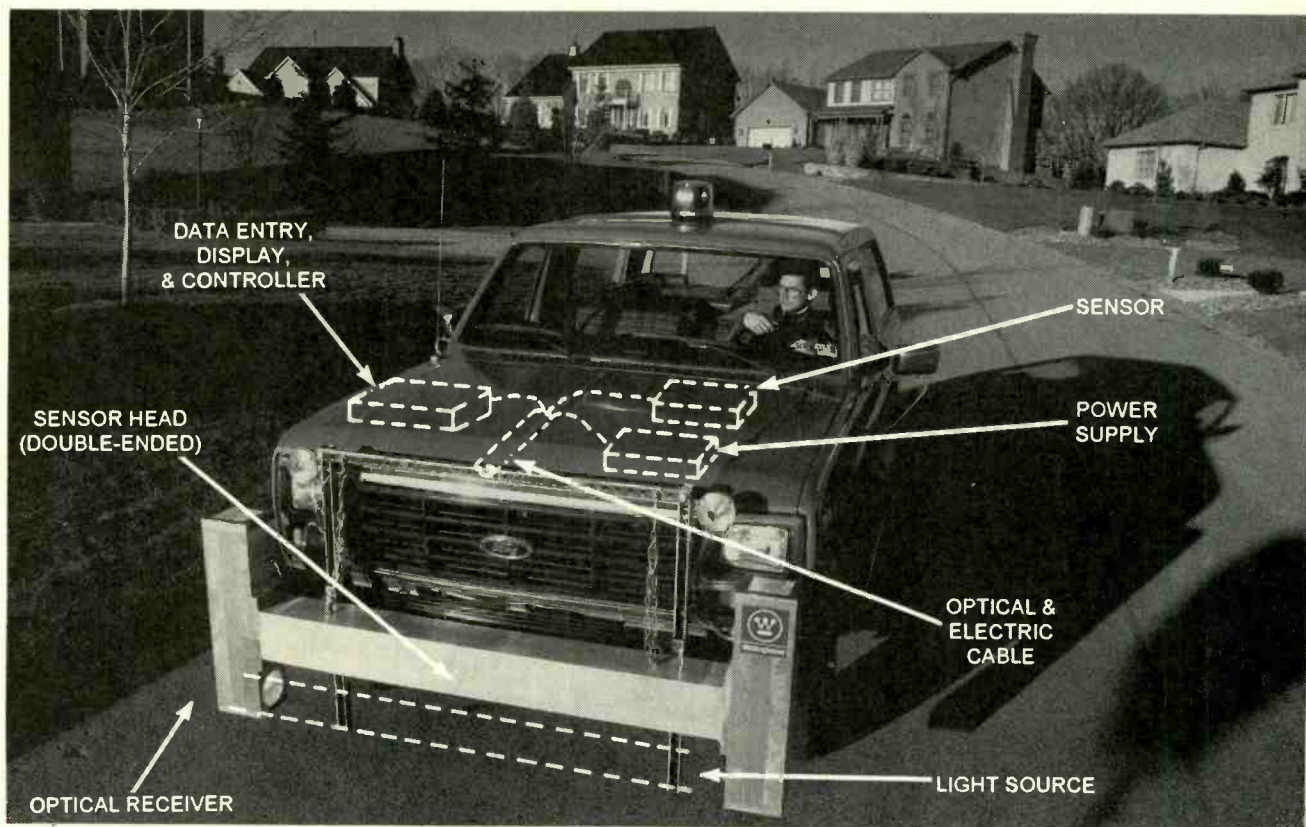


Fig. 1—A MOBILE NATURAL-GAS LEAK DETECTOR system developed by Westinghouse detects leaks up to ten times faster than existing systems. Its detector is an electro-optic crystal filter.

lets. In effect, the detector "sniffs" the air samples for escaping natural gas.

Leaks show up as an gauge indications accompanied by an audible alarm. However, the relatively slow response of this older detector limits the miles of pipeline that can be reliably inspected daily.

Westinghouse has replaced the sniffer with an optical-beam absorption sensor. It detects methane, the primary component of natural gas, in concentrations as small as one part per million. It can make 1000 measurements per second, permitting the survey vehicle to move faster along the pipeline. An on-board computer records and stores a continuous profile of gas concentrations as the vehicle moves along a gas pipeline. The record permits pinpointing the exact locations of gas concentrations that might exceed the specified safety level along the route.

Radio Shack opens in Moscow

Russians can now buy consumer electronics products and components in a Radio Shack store recently opened in Moscow. Shopping there will be a new experience for most Russian electronics hobbyists because the new store is set up the same way as American stores.

The new Radio Shack has fully stocked racks of merchandise in the middle of the store that permit customers to pick up and examine the goods before they buy them—a simple enough concept, at least in the United States.

This setup contrasts sharply with that of most Russian retail stores: usually only a limited supply of goods is displayed on shelves or in glass cases. Customers must first wait in line to select what they want—often without being able to touch or examine the goods; then

they must wait in another line to pay for the goods and get a receipt that permits them to claim their purchases from another area.

The Radio Shack store in Moscow, which opened last December, is the result of a franchise agreement between Tandy Corporation (Fort Worth, TX) and the Florida-based Trident Group, which supplies such things as computers and accessories in 30 cities of the former Soviet Union.

Radio Shack's store, located on Moscow's Lensinsky Prospect, carries a full line of consumer-electronic products, most of which are also shipped from Ft. Worth. The store, is staffed by Russians and managed by Trident A/O, the Russian branch of The Trident Group. Ashley Worth, Trident Group vice president, said the Moscow store is the first of several Radio Shack stores to be opened in Russia in the future. Ω

HARDWARE HACKER

Useful auction magazines, a classic oscilloscope book, new cogeneration resources, and the fundamentals of SCSI communication.

DON LANCASTER

I finally got a closer look at a new book by Stan Griffiths entitled *Oscilloscopes: Selecting and Restoring a Classic*. It is a well written guidebook that lists all the older tube-type Tektronix scopes, their current prices, hidden gotchas, and overall desirability. It's a "must have" at \$19.95.

Because used Tektronix scopes can be purchased for as little as \$50, there is no reason why every hardware hacker shouldn't own at least two. Safest bets of the golden oldies: a plain 515A or a fancy 545B with a CA plug-in.

Fundamentals of SCSI

There is a lot of hacker interest in SCSI devices these days, so I guess it's time for a review. SCSI stands for a *Small Computer System Interface*, and it's detailed in document ANSI X3.131-1986, available from the *American National Standards Institute*. I'll concentrate on the specification for single-ended devices here.

SCSI allows up to eight devices to send 8-bit parallel data to each other on an asynchronous information swap. Although any number of the devices could be hosts, the usual setup is to have only one host that is served by up to seven peripheral devices. For example, the host computer might use an internal hard disk, an external hard disk, a CD ROM drive, and a laser printer.

Figure 1 shows how a SCSI bus is usually arranged: up to eight devices are connected together with 50-wire cables. All of the devices are daisy chained together. Note that only the "open" daisy chain arrangement is permitted.

Cable length can be up to a maximum of 20 feet, but *all devices must* be plugged into the same grounded AC outlet. Data rates to 4 megabytes per second are permit-

ted. Because the data is in parallel, that rate is equal to a serial data rate of about 40 megabaud. Thus SCSI is potentially *much* faster than most of the popular computer networking schemes.

It's very difficult to move high-speed data around. Therefore, to prevent any noise or line reflections, all SCSI cables *must* be shielded and properly terminated. For short internal runs, conventional ribbon cable, with every second wire grounded, is acceptable. For longer external runs, special shielded SCSI cables are required. One good source for these is *Redmond Cable*.

Each end of the SCSI cable must be properly terminated to minimize standing waves and reflections. The rules are: *Always terminate both ends of a SCSI cable string. Never leave any extra terminators in the middle of any SCSI string.*

Figure 2 shows two methods for terminating a SCSI line. The intended cable impedance is 132 ohms, but 100-ohm cables will usually work satisfactorily. For a *passive* termination, insert a 220-ohm resistor to +5 volts DC, and a 330-ohm resistor to ground. Do that for each data and control line.

But note that one side effect is that each of the 18 lines has the equivalent of two 550-ohm resistors

going from +5 volts to ground. Each continuously draws about 45 milliwatts for a total of nearly 2 watts, making it unsuitable for low-power applications.

Active termination is more common these days. In active termination, each line is terminated with a single 132-ohm resistor that is returned to a regulated 3-volt source. Because all SCSI lines are either three-state or open-collector, and because most of them do nothing most of the time, an active termination uses less power.

Several clever new dynamic switching schemes play intentional tricks with terminations to reduce further the power and improve data integrity.

Pin connections for a SCSI connector are shown in Fig. 3. Originally these were obtained with an unshielded dual-row header for internal use, or a special shielded and locking external connector. The internal connector is a plain 2 x 25-pin arrangement with the pins on the usual 100-mil centers.

Because the external connectors are so bulky, there are some latter-day variations. One is based on the plain DB-25 connector. I believe this alternative is incredibly dumb because of the possibilities for causing damage by confusing them with serial communication ports. *Apple* has switched to a small 30-pin rectangular connector, which is used on its *LaserWriter Pro 630* and newer *MacIntosh* computers.

You'll find four kinds of connector lines. First, there are a lot of ground connections. These greatly simplify the shielding, especially on ribbon cables. Second, there is a TERMPWR lead that sends a protected +5 volts for termination power. Diodes normally prevent several devices from fighting each other on TERMPWR. Third, there are eight data lines

NEED HELP?

Phone or write your **Hardware Hacker** questions to:

Don Lancaster
Synergetics
Box 809-EN
Thatcher, AZ 85552
(602) 428-4073

For fast **PSRT** access, modem
(800) 638-8369, then an HHH.
Then **XTX99005,SCRIPT**.

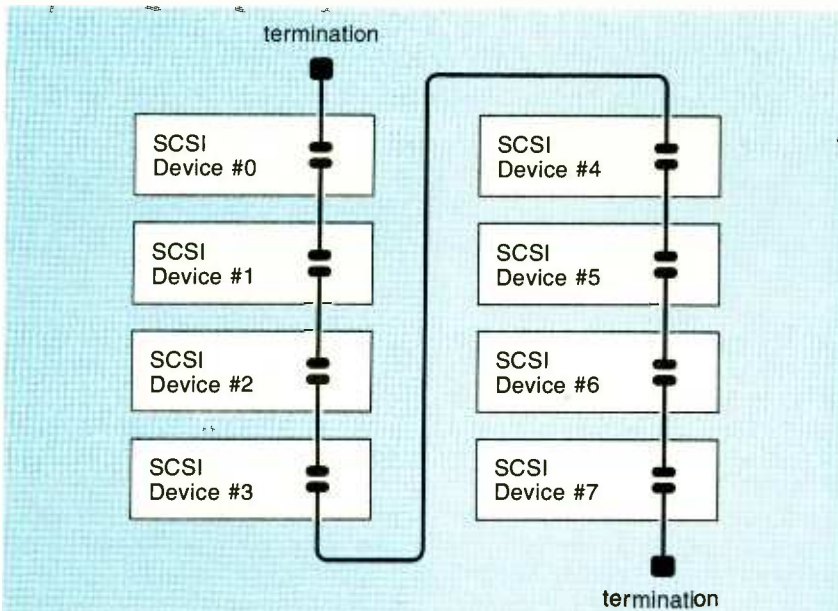


FIG. 1—SCSI COMMUNICATION allows up to eight devices to talk to each other at high speeds over short distances. The only connection scheme allowed is this open-ended daisy chain. Both ends of the chain must be terminated.

DB0 through DB7. Data is exchanged as parallel bytes over these three-state lines. There is also a ninth parity line, but it's rarely used.

Finally, there are nine control lines

that are either three-state or have open-collector drivers. These include BSY for any bus access, SEL to select the device, C/D that determines whether the information being sent is control or data, or MSG when a message is being delivered.

The REQ line requests access, and ACK grants it. ATN is a start up call, and RST clears previous actions.

These lines are all detailed in the SCSI specification. They interact with each other to request, verify, and then send data between devices. The devices all take turns, with only one allowed bus access at any given time.

There is a carefully defined command order. Most of the time, the SCSI bus should just sit there and do nothing. The action always starts with *arbitration* and *selection* cycles. Then a string of *command* bytes is sent that sets up the size and action of a read or a write. Next are the data bytes, which are usually transferred in blocks, often of 1024 bytes. The access ends with the *status* and *completion* bus phases.

Each SCSI device has a unique ID number 0–7 associated to it. These match a high state on the equivalent data line. The ID numbers appear on the bus during *arbitration* or *selection*.

A very important rule: *Each SCSI device must have a unique ID. De-*

vice no. 0 has highest priority. The convention is to give the main host an ID of 0 and the internal hard drive an ID of 7. Printers, CD readers, or other peripheral devices might be given mid-range values. Most of the SCSI peripherals have switches or jumpers that let you pick any ID you want. On the other hand, it can be extremely difficult to set a non-zero host ID.

Once again, no duplicate IDs are allowed, and the *lowest* ID always gets first recognition.

The SCSI specification describes in detail the actions that must take place during each data transfer stage.

Multiple-host SCSI?

There are many unexplored new SCSI hacking possibilities. One is to devise a simple and cheap manual A-B switch for SCSI. Believe it or not, commercial units sell for as much as \$2200.

Hint: The key chips you'll need are available from *Pioneer*, especially the PIC3383. I will have more on this in a future column.

There is another opportunity in building an even simpler SCSI ID *changer*. It should permit any SCSI device to look like number 6 from one end and number 7 from the other. Or number 0 versus number 1. This could be a key component

**NEW FROM
DON LANCASTER**

HARDWARE HACKING	
Incredible Secret Money Machine II	18.50
Hardware Hacker Reprints II or III	24.50
Blatant Opportunist Reprints	24.50
Resource Bin Reprints	24.50
The Case Against Patents	24.50
Ask The Guru Reprints I, II or III	24.50
CMOS Cookbook	24.50
TTL Cookbook	24.50
Active Filter Cookbook	24.50
Micro Cookbook I	19.50
Lancaster Classics Library	119.50
POSTSCRIPT STUFF	
PostScript Secrets (Ile/Mac/PC)	39.50
Book-on-demand resource kit	39.50
Intro to PostScript VHS Video	39.50
PostScript Beginner Stuff	39.50
PostScript Show & Tell	39.50
PostScript Cookbook (Adobe)	19.50
PostScript Ref. Manual II (Adobe)	31.50
PostScript Program Design (Adobe)	24.50
Type I Font Format (Adobe)	15.50
Acrobat Reference (Adobe)	24.50
LaserWriter Reference (Apple)	19.50
PostScript by Example (McGilton)	29.50
Pgm Display PostScript with X	29.50
PostScript Visual Approach (Smith)	22.50
Thinking in PostScript (Reid)	22.50
Undst PS Pgrmmg (Holtzgang)	29.50
The Whole Works (all PostScript)	349.50

FREE VOICE HELPLINE VISA/MC

SYNERGETICS
Box 809-RE
Thatcher, AZ 85552
(602) 428-4073

CIRCLE 219 ON FREE INFORMATION CARD

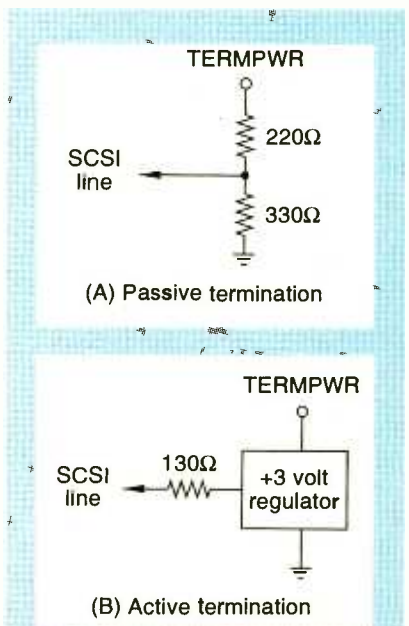


FIG. 2—BOTH ENDS of each SCSI line must be properly terminated.

NAMES AND NUMBERS

American Nat'l Standards Inst
11 West 42nd Street 13 Fl
New York, NY 10036
(212) 642-4900

Amlan Inc
97 Thornwood Road
Stamford, CT 06903
(203) 322-1913

Armour Products
Box 128
Wyckoff, NJ 07481
(201) 847-0231 FAX

ASD/AMD Trade News
2525 Ocean Park Blvd.
Santa Monica, CA 90405
(800) 421-4511

Auction Magazine
Box 62101-411
Houston, TX 77205
(800) 588-0005

Castcraft
Box 16586
Memphis, TN 38186
(901) 345-5753

CMA
Box 685
Rockaway, NJ 07866
(201) 586-3600

Comus
263 Hillside Avenue
Nutley, NJ 07110
(800) 35-COMUS

Defense Logistics Supply
Box 1370
Battle Creek, MI 49016
(616) 961-4000

Federal Auction Locator
Box 37038
Phoenix, AZ 85069
(800) 977-8889

General Services Agency
Box 25506 DFC B41 R223
Denver, CO 80225
(303) 979-0361

Genie
401 N Washington St
Rockville, MD 20850
(800) 638-9636

Stan Griffiths
18955 SW Blanton
Aloha, OR 97007
(503) 649-0837

Maxim
120 San Gabriel Drive
Sunnyvale, CA 94086
(800) 998-8800

Nomadness Report
Box 2185
El Segundo, CA 90245
(310) 322-1655

Pioneer
2343 Bering Drive
San Jose, CA 95131
(408) 435-0800

Quorum Books
88 Post Road West
Westport, CT 06881
(203) 226-3571

Redmond Cable
17371-A1 NE 67th Ct
Redmond, WA 98052
(206) 882-2009

Virtual Reality World
11 Ferry Lane West
Westport, CT 06880
(203) 226-6967

US Government Information
(800) 359-3997

workaround if two systems insist on keeping their hosts as number 0.

Yet another project is to build a plain SCSI data input that looks like a computer's parallel data port. This lets you send low-level commands to outside devices from inside the SCSI environment. The real value here, of course, is that this lets you use PostScript on any homebrew CAD/CAM, PC drill, Santa Claus machine, or whatever.

Figure 4 shows how *shared SCSI communication* works. Here, a host and a PostScript printer can share one drive. Such tasks as Book-on-demand publishing run much faster, as most communication times are

eliminated. And the little remaining communication that's still needed occurs at serial-equivalent speeds as high as 40 megabaud. But you do have to get clever.

The SCSI specification permits multiple hosts so that more than one computer can share a hard drive or other peripheral. You could even have *eight* hosts with exciting possibilities. But there are also some nasty catches.

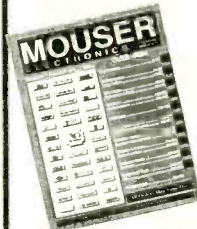
Very bad things will happen if someone loads a file, somebody else changes it, and the first person then resaves the old file. These problems generally call for *adjudication*.

45,296

ELECTRONIC COMPONENTS

Whether you order 1 part or all 45,296...MOUSER stocks and...ships same day!!

CALL... (800) 992-9943



for your
FREE
CATALOG

2401 Hwy 287 N.
Mansfield, TX 76063

MOUSER[®] ELECTRONICS

Sales & Stocking Locations Nationwide

CIRCLE 117 ON FREE INFORMATION CARD

Learn VCR repair at home!

MAKE *GOOD* MONEY IN YOUR OWN FULL- OR PART-TIME JOB



Professional-level home study course. You will master easy-to-learn, high-profit repairs *without* investing in high-tech instruments or a costly workshop. Want more independence and higher income? Send or call today!

Free career literature:
800-223-4542

Name _____ Age _____
Address _____ Phone (____) _____
City _____ State _____ Zip _____

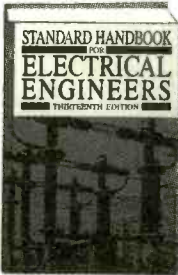
The School of VCR Repair
6065 Roswell Road
Dept. VE342, Atlanta, Georgia 30328

CIRCLE 180 ON FREE INFORMATION CARD

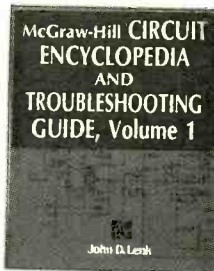
Get 3 Books for only \$9⁹⁵

Values to \$160.00

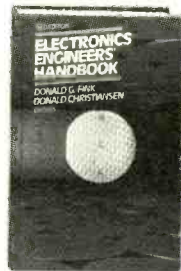
when you join the *Electronics Engineers' Book Club*®



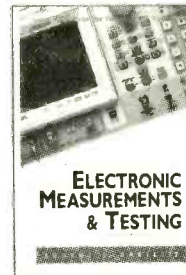
020984H-XXX \$110.50
The collective expertise of more than 100 contributors has been assembled to make this book the most current and comprehensive electrical reference available today. 2,208 pp., 1,421 illus.
Counts as 3



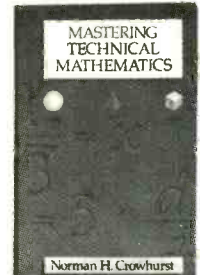
037603H-XX \$59.50
This book gives you a collection of over 700 of the latest commonly used integrated and discrete-component circuits and authoritative testing and troubleshooting methods on each type of circuit. 664 pp., 703 illus.
Counts as 2



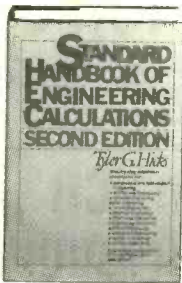
9255H-XXX \$105.50
"Outstanding, extensive reference to current technology of electronics. Covers everything from principles to applications."
—Computer Book Review
2,528 pp., 1,800 illus.
Counts as 3



003961H \$40.00
Here's your guide to basic electrical measurements, component measurements, system tests, and performance verification. Most of the methods and procedures you'll find here use available off-the-shelf test equipment.
224 pp., 180 illus.



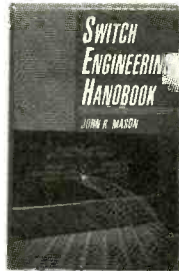
3438H \$39.95
Step-by-step instructions and alternative techniques are provided for solving problems in basic arithmetic, algebra, geometry, trigonometry, and calculus. 512 pp., 481 illus.



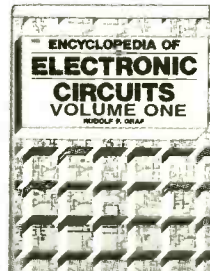
028735XH-XX \$94.50
Put more than 1,100 specific calculation procedures for solving on-the-job engineering problems at your fingertips. Each procedure provides the exact, numbered steps you should follow for a quick, accurate solution. 1,486 pp., 1,292 illus.
Counts as 2



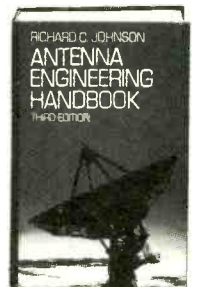
031716H \$50.00
Cover the basics of all the important video technologies in this one comprehensive volume. You'll find valuable information on the production, recording, editing, transmission, distribution, and display of video signals. 300 pp., 120 illus.



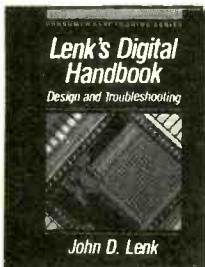
040769H \$60.50
Select the right switches for any application—and reduce costs while enhancing performance. You can minimize the time you spend in technology trade-offs, selection and specification of a product, and switch source searches. 512 pp., 158 illus.



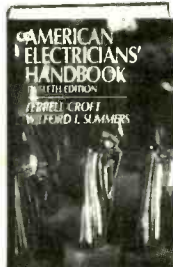
1938H-XX \$60.00
For quick-reference and on-the-job use, this sourcebook puts over 1,300 state-of-the-art designs at your fingertips. From A (alarm circuits) to Z (zero crossing detector circuits) this compendium excels in content, scope, and design.
768 pp. Counts as 2



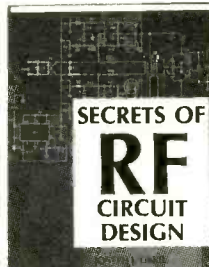
032381H-XXX \$119.50
Newly revised and updated, this bestselling reference provides detailed information on physical fundamentals, patterns, structures, and design techniques for practical modern antennas. 1,520 pp., 800 illus.
Counts as 3



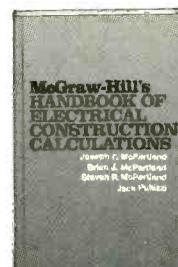
037516H \$39.50
This helpful volume gives you expert coverage of digital electronic devices and components, as well as a simplified system of testing and troubleshooting that can be applied easily to any electronic system or equipment. 320 pp., 150 illus.



013933H-XX \$74.50
Use this newly revised industry standard for information and practical advice on the selection, installation, maintenance, and operation of all types of equipment and wiring. 1,632 pp., 1,556 illus.
Counts as 2



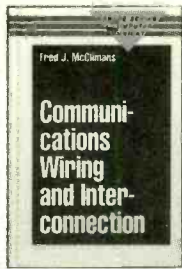
3710P \$19.95
Understand the basics of receiver operation, the proper use and repair components in RF circuits, and principles of radio signal propagation from low frequencies to microwave. 416 pp., 411 illus.
Softcover



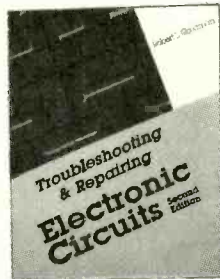
0456828H \$49.50
Taking into account all the provisions of the National Electrical Code® that impact on electrical construction calculations, this handbook focuses on the relationship between calculations and profitability, as well as system adequacy and reliability. 320 pp., 80 illus.



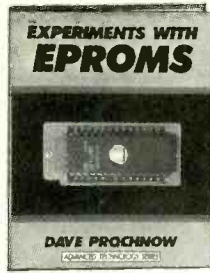
3887H \$26.95
This book covers almost every imaginable type of filter circuit, ranging from simple passive filter networks to sophisticated digital filters. Use it to explore low-pass, high-pass, band-pass, and band-reject—and specialized filter types. 320 pp., 178 illus.



044847H-XX \$40.00
Design the complex wiring systems made necessary by advanced communications equipment. McCliman's book includes discussions of all types of wiring, from conventional to fiber optic. 250 pp., 40 illus. *Counts as 2*



3258P \$19.95
Here are easy-to-follow, step-by-step instructions for troubleshooting and repairing all major brands of the latest electronic equipment, with hundreds of block diagrams, specs, and schematics. 320 pp., 236 illus., *Softcover*



2962P \$18.95
This complete EPROM instruction manual provides a detailed explanation of underlying theory, plus 15 different projects, including programmers, erasers, and EPROM-based circuits. 240 pp. *Softcover*



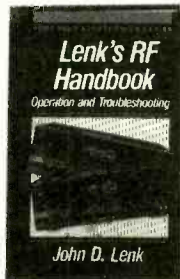
050806H-XX \$58.00
Covering every aspect of switching power supply design, this book emphasizes circuit, transformer, and magnetics design. It provides examples of transformers and much more. 550 pp., 250 illus. *Counts as 2*



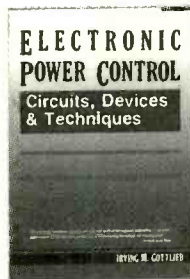
2672H \$49.50
This book covers linear IC offerings from all the major manufacturers—complete with specifications, data sheet parameters, and price information. 624 pp., Illus.



3279P \$24.95
Perform routine maintenance and diagnose and repair any kind of computerized device. This popular reference covers large dynamic RAMs, 32-bit processors, 80286, 80386, and Z8001-Z8002 processors. 570 pp., *Softcover*



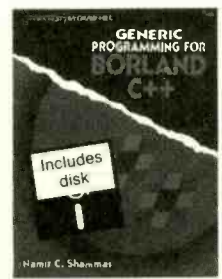
037504H \$39.50
Packed with simplified, circuit-by-circuit troubleshooting examples, this handbook provides the practical know-how you need to operate and troubleshoot modern RF equipment. 352 pp., 150 illus.



3837H \$27.95
This guide focuses on the specific digital circuits used in electronic power applications. It presents state-of-the-art approaches to analysis, troubleshooting, and implementation of new solid-state devices. 272 pp., 197 illus.



4228H \$32.95
Get all the hands-on instruction you need to translate RF theory into functioning hardware and design working RF power circuits with this guide. 304 pp., 219 illus.



4299P \$34.95
Code generic data structures that can be used in a variety of applications. The author demonstrates the steps to follow when creating recyclable code and shows you how to enhance your generic code. 320 pp., 136 illus., 3.5" disk *Softcover*

Your source for quality, affordable and timely authoritative engineering books.

As a member of the Electronics Engineers' Book Club...

... you'll enjoy receiving Club bulletins every 3-4 weeks containing exciting offers on the latest books in the field at savings of up to 50% off of regular publishers' prices. If you want the Main Selection do nothing and it will be shipped automatically. If you want another book, or no book at all, simply return the reply form to us by the date specified. You'll have at least 10 days to decide. And you'll be eligible for **FREE BOOKS** through the Bonus Book Program. Your only obligation is to purchase 3 more books during the next 2 years, after which you may cancel your membership at any time. ©1994 EEBC

All books are hardcover unless otherwise noted. Publishers' prices shown. If you select a book that counts as 2 choices, write the book number in one box and XX in the next. If you select a Counts as 3 choice, write the book number in one box and XXX in the next 2 boxes. A shipping/handling charge & sales tax will be added to all orders.

If card is missing, write to:
Electronics Engineers' Book Club, Blue Ridge Summit, PA 17294-0860

ELECTRONICS ENGINEERS'®
BOOK CLUB

Blue Ridge Summit, PA 17294-0860

YES! Please rush me the book(s) indicated below for just \$9.95 plus shipping/handling & applicable sales tax. Enroll me as a member of the **Electronics Engineers' Book Club** according to the terms outlined in this ad. If not satisfied, I may return the book(s) within 10 days without obligation and my membership will be cancelled.

If you select a book that counts as 2 choices, write the book number in one box and XX in the next. If you select a Counts as 3 choice, write the book number in one box and XXX in the next 2 boxes.

Name _____
Address _____
City/State _____
Zip _____ Phone _____

Offer valid for new members only, subject to acceptance by EEBC. Canada *must* remit in U.S. funds drawn on U.S. banks. Applicants outside the U.S. and Canada will receive special ordering instructions. A shipping/handling charge & sales tax will be added to all orders. DRE494C

April 1994, Electronics Now

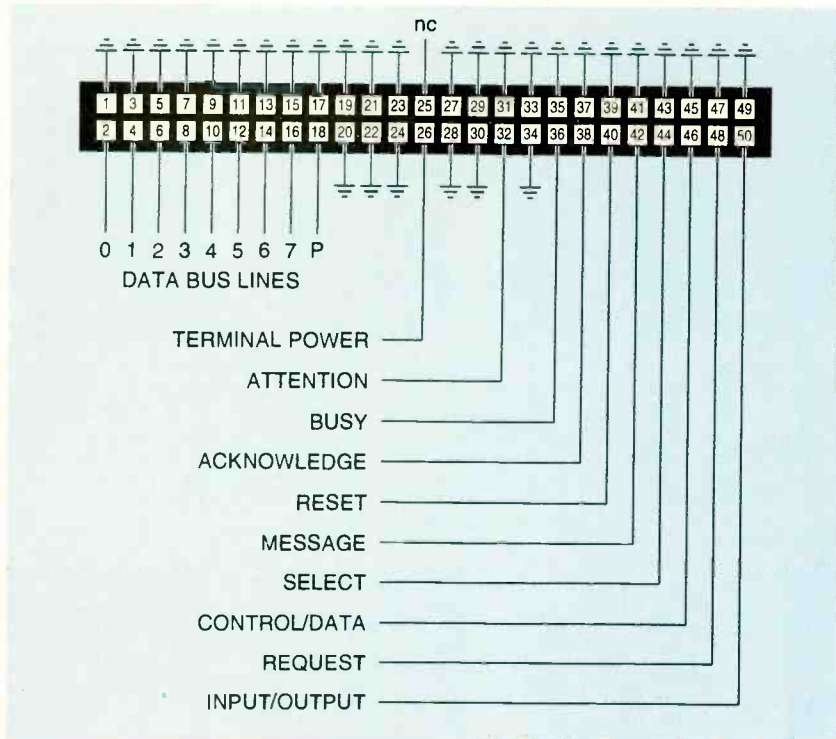


FIG. 3—PINOUTS FOR A SCSI CONNECTOR. The unshielded internal connector is shown here. External 50-pin connector numbering is the same.

Most SCSI systems start out with a *bus arbitration* phase that prevents outright conflicts between two hosts which try to grab market share at the same time. From the start *be sure that both of the hosts include the SCSI bus arbitration timing cycle.*

It does not specify the *arrangement* or the *partitioning* of the data tracks. This means that *all the host SCSI devices normally must share the same operating system.*

A third problem is that most SCSI hosts assume that they are the only hosts. Instead of checking the catalog and directory tracks of the drive for each access, they simply keep a copy of these tracks in their *host* memories. Now, if another host rewrites the files, the first host will certainly become confused because its internal disk directory copy will now be totally wrong.

One way to get around this is to make sure that you always *mount* and *unmount* drives so that any one of the drives is "known" by only one host at any time. As an example, PostScript has its *devmount* and *devdismount* procedures.

There is another route that I've been using to let both an Apple IIe

and a Macintosh write to the *internal* hard disk on my LaserWriter. You could even use this technique to let an IBM and Macintosh share a common hard disk.

Pick your "main" operating system. In the case of any PostScript printer, this would be the internal PostScript firmware. So, immediately after you initialize your disk, you should very carefully define several *dummy files of fixed size and position.* You can then let your "alien" host use *only* its low-level SCSI *read and write to track and sector* commands to "force feed" data into the file.

This gets complicated very fast, but it definitely works. Let me know your thoughts on new hacker SCSI applications.

Cogeneration resources

Cogeneration is the production of electricity as a by-product of another activity. If the other activity accepts most of the cost, the cost

COGENERATION RESOURCES

Alternative Energy

205 S Beverly Drive Ste 208
Beverly Hills, CA 90212
(310) 273-3486

Alternative Energy Digests

800 Garden Street Ste D
Santa Barbara, CA 93101
(805) 965-5010

Cogen & Competitive Power

700 Indian Trail
Lilburn, GA 30247
(404) 925-9388

Cogen & Resource Recovery

747 Leigh Mill Road
Great Falls, VA 22066
(703) 759-5060

Dialog

3460 Hillview Avenue
Palo Alto, CA 94304
(415) 858-2700

Energy Conservation Digest

Box 20754
Seattle, WA 98102
(202) 783-2929

EPRI

PO Box 10412
Palo Alto, CA 94303
(415) 855-2000

Home Energy

2124 Kittredge St, #95
Berkeley, CA 94704
(510) 524-5405

Home Power

Box 520
Ashland, OR 97520
(916) 475-3179

Independent Energy

620 Central Avenue N
Milaca, MN 56353
(612) 983-6892

Independent Power Report

1221 Ave of the Americas, 36 Fl
New York, NY 10020
(212) 512-6410

Micro Cogeneration

Independent Power
3309 1/2 Lynn Avenue
Billings, MT 59102

Renewable Energy

660 White Plains Road
Tarrytown, NY 10591
(914) 524-9200

Renewable Energy News Digest

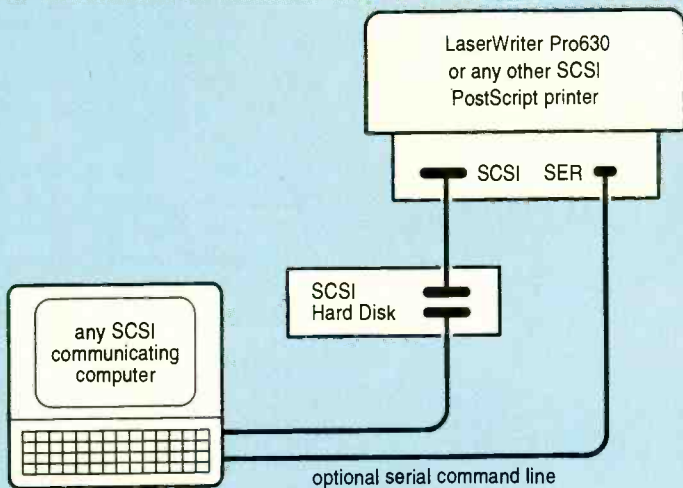
14 S Church Street
Schenectady, NY 12305
(518) 372-1799

Saving Energy

5411 117th Avenue SE
Bellevue, WA 98006
(206) 643-4248

World Cogeneration

84-54 118th Street
Kew Gardens, NY 11415
(718) 847-0230



With shared SCSI comm, both the host and the printer can share one or more hard disks, and talk to each other at a multi-megabaud rate.

Since most files will already be on the disk, the usual load-send-print cycles can often be eliminated, for another 2:1 speedup. Direct host access to font caches and bitmaps can give even faster results.

Command or control bytes can be sent via the older serial or AppleTalk comm lines. This is still fast, since only a few bytes are usually needed.

FIG. 4—SHARED SCSI COMMUNICATION can dramatically speed up most PostScript laser printing times. But adjudication details must be carefully worked out.

of electricity can end up surprisingly low.

For example, if chemical plants or hospitals need a lot of steam they might as well generate most or all of their own electricity while they are at it. Or, if you have a solar water-heater panel, it makes economic sense to use the waste energy for space heating.

A new *Micro-Cogeneration* book from Kirk McLoren of *Independent Power* includes some economic analysis to arrive at an astounding conclusion: With cogeneration, it can be far cheaper to generate electricity than to buy it from the power company—especially, if you are half a mile from any power line, have a reasonable home and lifestyle, use a diesel generator, and don't pay road tax on the diesel fuel. It's even better if you can obtain the free (but slightly contaminated) diesel fuel that is sometimes available at local airports.

The analysis includes the utility's line-extension costs and the required minimum-purchase guarantees. It also includes making your generator more efficient by using the waste energy for heating.

For this month's resource sidebar, I thought I'd gather together

important places you can go for more information on cogeneration, both for homebrew and industrial-strength needs.

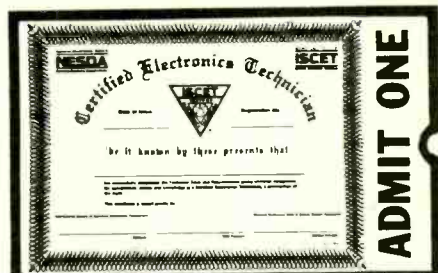
In addition to Kirk's book, be sure to check out *Home Power* magazine. Lots of technical papers and videos are available through EPRI. And, of course, for the latest in any technical field, you can use the *Dialog Information Service*, available either by way of *GENie* or your local library.

World Cogeneration is a free trade journal for commercial and industrial applications of cogeneration. Most of the other resources listed are trade journals or scholarly publications.

"Sumptun' Else" contest

One thing I like to do is take some product and see just how it can be misapplied for wildly different purposes. An outfit called *Amlan* offers a mini-wire channel product by the roll. It costs about a dollar a foot and is intended to protect communication, alarm, and low-voltage wiring.

The channel is made from an attractive white vinyl and consists of a bottom half that folds up into a "U" shape, and a snap-on cap. The size is either a 5/8-inch square or a 5/8- ×



Your Ticket To SUCCESS

Over 28,000 technicians have gained admittance worldwide as certified professionals. Let your ticket start opening doors for you.

ISCTE offers Journeyman certification in Consumer Electronics, Industrial, Medical, Communications, Radar, Computer and Video. For more information, contact the International Society of Certified Electronics Technicians, 2708 West Berry Street, Fort Worth, TX 76109; (817) 921-9101.

Name _____
Address _____
City _____
State _____ Zip _____

Send material about ISCTE and becoming certified.

Send one "Study Guide for the Associate Level CET Test." Enclosed is \$10 (inc. postage).

SALE!

CABLE TV DESCRAMBLERS WE'LL BEAT ANY PRICE!

CALL TOLL-FREE
1-800-284-8432

- JERROLD • TOCOM • ZENITH •
- OAK • PIONEER • HAMLIN •
- SCIENTIFIC ATLANTA •

24 HOUR SHIPMENTS!
QUANTITY DISCOUNTS!
MONEY BACK GUARANTEE!
FREE CATALOG & INFORMATION



Mastercard • American Express • Visa • C.O.D.
HAVE MAKE AND MODEL NUMBER OF EQUIPMENT USED IN YOUR AREA
1-800-284-8432

FOR ORDERS ONLY
For technical & customer service: 305-749-3122
ALL SHIPPING & HANDLING FEES AT CUSTOMER'S EXPENSE
Anyone implying theft of service will be denied assistance

CABLE WAREHOUSE

10117 WEST DAKLAND PARK BLVD., SUITE 315, SUNRISE, FL 33351
NO FLORIDA SALES

CIRCLE 182 ON FREE INFORMATION CARD



*From the Lab
to your
Living Room!*

Does your VCR have a "Head Cold?"

Probably not! However, through constant playing and using of degrading dry or wet cleaners, the output of your video tapes has slowly diminished to an unacceptable level and the VCR plays as if it has a head cold! The culprit is most likely clogged and dirty video and/or audio heads.

The **3M Black Watch™ Head Cleaner Videocassette** uses a patented magnetic tape-based cleaning formation to remove head clogging debris. No foreign substances such as cloth, plastics or messy liquids and no harsh abrasive materials are present. The cleaner's usable life is 400 cleanings or more!

It's easy to use. Place the **3M Black Watch™ Head Cleaner Videocassette** in the VCR and press the Play button. A pre-recorded message appears clearly on your screen and an audible tone is heard, telling you that the cleaning process is now completed. No guess work, you never over clean!

3M Black Watch™ Head Cleaner Videocassette **S**VHS **VHS**.....\$19.95

Once your VCR's head cold is cured, and the unit plays like new, consider using the finest videocassette you can buy—the **3M Black Watch™ T120 Hi Pro VHS 4410 Videocassette**. The 4410 is the highest performing videocassette available today for use with all standard format VHS recording hardware!

Here's what you hear and see....A sharp, clear picture—brightest colors—freedom from streaks, flashes and snow—outstanding high-fidelity audio reproduction—optimum camcorder performance—maintains recording integrity. **3M Black Watch™** video tape is 100% laser inspected to guarantee surface smoothness and drop-out free performance.

3M Black Watch™ T120 Hi Pro VHS 4410 Videocassette **VHS**.....\$8.00

CLAGGK INC. — 3M VHS Special Offer
P.O. Box 4099, Farmingdale, New York 11735

Yes, I like your offer and here is my order for 3M Black Watch™ products!

___ 3M Black Watch™ Head Cleaner Videocassette	(\$19.95 each)	___ \$
___ 3M Black Watch™ T120 Hi Pro VHS 4410 Videocassette	(\$8.00 each)	\$ ___
Shipping and handling per order		\$ 4.00
Total Amount in U.S. Funds only		\$ ___

New York State residents add local sales tax. Canadians add \$6.00 per order. No foreign orders. Do not send cash.

Bill me VISA MasterCard Expire Date ___/___/___

Card No. _____

Signature _____

Name (Please print) _____

Address _____

City _____ State _____ ZIP _____

1-inch rectangle. It's even predrilled.

Now for the neat part: If you cut this material up into smaller pieces, you end up with very nice 30-cent cases for handheld projects. Perhaps a laser pointer, remote control, logic probe, bug detector, dog trainer, or signal injector. Free samples are offered by the manufacturer.

Have you taken a close look at toilet-refilling technology lately? A new version uses a snap-action differential water-pressure sensor. It cheaply and reliably replaces older float-type switches.

Well, what we really have here is a differential pressure sensor that can respond to a pressure difference of *a fraction of an inch of water*. Last time I checked, that's a sensitivity around 0.01 pounds per square inch.

There simply *has* to be unthought-of hacker and robotics uses for these sensors, especially for liquids other than water—possibly even for air or other gases. Your first hack here might be to couple it to an electrical switch or sensor.

So, for our contest this month, just tell me about any product that can be applied to make something totally different than its intended use. We'll call this a *sumpthun' else* contest.

There will be a bunch of the usual *Incredible Secret Money Machine II* books going to the dozen best entries. An all-expense-paid (FOB Thatcher, AZ) *tinaja quest* for two will go to the very best of all.

As always, send all your *written* entries to me here at **Synergetics** and not to **Electronics Now** editorial.

Federal auctions

Ever since the days of the mythical \$25 Jeep, there's been lots of hacker enthusiasm over buying government surplus—particularly older military or defense electronics.

To get on military surplus bidding lists, contact the *Defense Logistics Supply Agency*. You then pick your areas of interest and they will mail you auction notices. If you do not actually bid, you will have to renew every few months.

General government auctions are handled separately. Many are held through the regional *General Ser-*

vices Agency offices. For more details, you contact the GSA office in your nearest large city. I've listed the Denver office in this month's *Names & Numbers* sidebar. But the process is the same anywhere: You contact them, tell them your interests, and get on selected bidder's lists.

There are also auctions from other US government agencies, such as the DEA or the Post Office. You contact them directly for more information. As a reminder, there is a main US government information number up at (800) 359-3997.

There are now two magazines that list upcoming auctions. These can simplify your search for what is being auctioned. One of these is the *Federal Auction Locator*, while a second is *Auction Magazine*.

If you are just interested in plain old commercial surplus grunge, refer to the insider secret news magazine that the retail surplus dealers and the distress merchandisers all subscribe to. It is the *ASD/AMD Trade News*. These folks also put on mammoth and incredibly bizarre trade shows.

By the way, those WW II military surplus Jeeps were always cut in half before delivery. Except for being a tad oversize, they can make dandy bookends. But be sure to check your local zoning regulations first.

New tech lit

A possible major advance towards room-temperature superconductivity appeared in the December 17, 1993 issue of *Science*, pages 1850-1852. It appears a lot more credible than the previous false starts. Temperatures of 250 Kelvins are being bandied about—a balmy Minnesota winter day.

Softwars is a new book by Anthony Clapes that's published by *Quorum Books*. It is a fairly thorough rundown on the ongoing legal battles over software protection and intellectual property rights. While the author does hide his IBM lawyer bias fairly well, his blatant misuse of the term "hacker" is unconscionable. Still a good read, though.

Virtual Reality World is a brand new *Meckler Publishing* newsletter.

For something totally different, the *Nomadness Report* is published

by Steve Roberts who is really big on his bicycle telecomputing, high-tech ocean kayaks, and *Internet* surfing. I've posted on-line sample copies of his reports to *GENIE PSRT*.

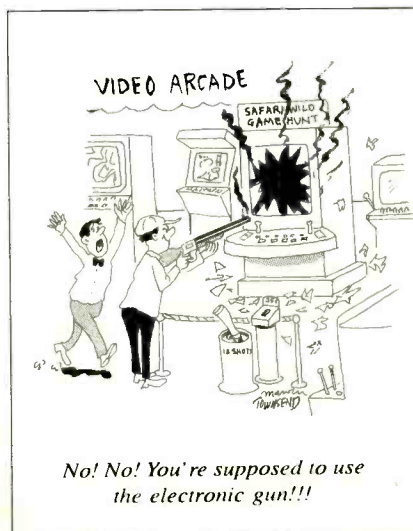
Etchtalk is a useful free company newsletter about glass etching from *Armour Products*. Interesting casting materials and technical information are available from *Castcraft*. *Comus* appears to be a good source for tilt switches and motion detectors. Information on mechanical cables for robotics and related products is offered by *CMA*.

Maxim has announced its new MAX038 function-generator chip that generates high-frequency triangular, sine, and square waveforms. This one looks like it is going to turn into one rather hot hacker chip. Response is beyond 20 MHz. I expect kits will be offered shortly.

If you are interested in any self-publishing, be sure to check out my *Book-on-demand Resource Kit*, per my nearby *Synergetics* ad.

I've also got a brand new catalog with a much larger insider secrets section. You can write, call, or E-mail me at [SYNERGETICS] on *GENIE* or SYNERGETICS at GENIE.GEIS.COM on the Internet for your free copy. Or download it directly as SYNCAT1.PS from *GENIE PSRT*.

As usual, most of the stuff mentioned appears in either our *Names & Numbers* or *Cogeneration* sidebars. Be sure to check those lists before calling our no-charge voice helpline. Ω



Choose from 44 Career Opportunities!

Get Your Specialized Associate Degree or Career Diploma at Home in Spare Time

Now without attending college classes and with no previous experience, you can train for a money-making career...even get a Degree. Send for free facts and color brochure on employment opportunities in the field that interests you most. See how easy it is to train at home for a great career or advancement in your present job.



CALL TOLL FREE

1-800-595-5505 Ext. 2586
CALL ANYTIME—24 hours a day, 7 days a week.
OR MAIL COUPON TODAY!

ICS International Correspondence Schools

SINCE 1890 Dept. ADES34S, 925 Oak Street, Scranton, PA 18515
Please send me free facts, color brochure and full information on how I can study at home for the career I have chosen.

No obligation. CHECK ONE BOX ONLY!

ASSOCIATE IN SPECIALIZED BUSINESS DEGREE PROGRAMS

- Business Management
- Accounting
- Bus. Mgmt.—Finance Option
- Bus. Mgmt.—Marketing Option
- Applied Computer Science

ASSOCIATE IN SPECIALIZED TECHNOLOGY DEGREE PROGRAMS

- Civil Engineering Technology
- Mechanical Engineering Technology
- Electrical Engineering Technology
- Electronics Technology

CAREER DIPLOMA PROGRAMS

- High School
- Auto Mechanics
- Surveying and Mapping
- Drafting
- Air Conditioning & Refrigeration
- Wildlife/Forestry Conservation
- Police Sciences
- Diesel Mechanics
- Electrician
- Small Business Management
- Gun Repair
- Electronics
- Hotel/Restaurant Management
- Child Day Care
- Legal Assistant
- Interior Decorating
- Secretary
- Bookkeeping
- Art
- Motorcycle Repair
- Catering/Gourmet Cooking
- Computer Programming
- Personal Computer Specialist
- PC Repair
- Desktop Publishing & Design
- Fitness & Nutrition
- TV/VCR Repair
- Animal Care Specialist
- Photography
- Journalism/Short Story Writing
- Florist
- Teacher Aide
- Home Inspector
- Real Estate Appraiser
- Master Locksmith

Name _____ Age _____

Address _____ Apt. # _____

City/State _____ Zip _____

Phone () _____

FREE

Electronics & Computer Software Education Catalog

- *Fast-Track Individual Learning Programs
- *State-of-the-Art Classroom Courses
- *The Best Values in Electronics Education

New

Career-Level Courses
Personal Computer Servicing
TV and VCR Servicing

New

Computer-Aided Instruction

DC & AC Electronics
Semiconductors
Electronic Circuits

The stunning animations, hypertext glossary, and easy-to-understand text make learning electronics a breeze...and fun!

Learn the easy and affordable way from the Masters in Electronics Training - **Heathkit**. From Basic Electricity to Advanced Microprocessor Applications and more, Heathkit will provide you with an unparalleled learning experience at a fraction of the cost of other programs.

Heathkit[®]
Educational Systems

For your FREE Catalog, call

Toll-Free 1-800-44-HEATH
Please mention this code when calling 020-021

CIRCLE 86 ON FREE INFORMATION CARD

AUDIO UPDATE

Collecting old audio

LARRY KLEIN

I've been wondering about my preoccupation with old equipment. I have a small accumulation of "antique" test instruments and technical books, and only self-restraint (and my wife) keeps me from adding tons of old audio components to my collection of obsolete electronics. I have no illusions about the measurement qualities of the test equipment, although the readings from my model 433 Weston AC voltmeter (circa the late 1930s) that I bought in a thrift shop for \$5 are a close match to what I get from a Fluke 8050A. Yard sales and thrift shops are the main sources of the material that feeds my habit; I'm actually afraid to attend ham swap meets for fear I'll run amuck and end up pleading with strangers to "Please stop me before I buy any more."

I remember an Altec Lansing speaker system (circa 1955) that I picked up at auction for \$25 in the early 60's. It had a 604C coaxial driver installed, and the speaker and cabinet combination originally sold for more than \$300—a lot of bucks in 1955! The speaker worked but sounded terrible. Retuning, bracing, and damping the 10-cubic foot cabinet helped some, but aside from efficiency, it was no match in sound quality for my far smaller AR-3 system. As a result, my garage-sale speaker purchases have been limited to smallish, high-quality units that usually end up in the systems of friends and relatives.

A year ago, when browsing through a thrift shop, I came across a sample of the very first cassette recorder ever made—the Norelco Model 150. Of course, I had to buy it. Ditto for a Pilotuner dating back to the early 50's, a copy of my very first FM tuner. Then there's the Brook all-triode preamp, the Browning FM tuner, the Rek-O-Kut turntable with Audax tone arm and turnover cartridge, and more. Given all that as a background, I was very

pleased to get a review copy of the Audio Engineering Society's videotape entitled "An Afternoon with Jack Mullin."

The Mullin Collection

Jack Mullin could accurately be called one of the pioneers in audio/video recording history. Not only that, but he also established a museum whose displays significantly predate his own audio involvement. For example, his museum houses a working replica of Edison's 1877 prototype cylinder phonograph. We are able to hear it, as well as many of the other machines in Mullin's collection, on the VHS tape.

Edison's commercial cylinder machines and Berliner's 1895 flat disc players—and subsequent models—all sounded quite tinny despite numerous advertisements to the contrary. Things didn't change significantly until about 1925, when Bell Telephone Laboratories and Western Electric got into the act.

Although the playback machines continued to be all acoustic for several years, the recording process became all-electric, or in modern parlance, electronic. Mullin shows the condenser microphone, amplifier, and electrical cutter developed by Bell Labs and photographs of the "before" and "after" differences in a recording session. During the days of acoustic recording, the musicians were forced to crowd around the mouth of a large horn that terminated in a diaphragm driving a cutting stylus. In addition, some of the instruments played by the musicians had to be modified for greater acoustic output. Violins, for example, had a horn attached to beef up their output—which wreaked havoc on their tonal quality.

The new companion playback machines designed by Bell Labs and manufactured by RCA bore the Orthophonic label, as did the electrical recording process. The playback machines were still acoustic,

but had a redesigned playback head with a specially designed aluminum diaphragm instead of a conventional mica diaphragm. The output of the tone arm was coupled to an exponential horn. The net result was a frequency range and a fidelity previously undreamed of. Mullin demonstrates a recording made by the acoustic process segued into the same piece recorded electrically. The improvement was astonishing!

Mullin is of the opinion that Bell's phonographic developments were deliberate steps in the direction of their real goal: talking pictures. We are shown a beautifully preserved (or restored) Vitaphone recording lathe made by Western Electric (Bell Labs' manufacturing facility) about 1926. Since the existing 12-inch, 78-rpm discs could provide no more than 4½ minutes per side, a 16-inch 33⅓-rpm with inside-out recording was developed for "talkie" use.

Radio killed the record

By the late 1920's, phonograph sales had gone into a steep decline because of radio, which basically played the discs for you for free. Of course, there were live broadcasts aplenty, but the phonograph remained a fine backup source for the stations. The Vitaphone system designed for talking pictures was enlisted to provide transcription recordings for broadcast use. By slightly crowding the grooves, fifteen minutes of recording time became available. Right through World War II, the electrical transcription disc was the main means for preparing programs in advance of broadcast and for supplying Armed Forces Radio with a variety of entertainment material.

During World War II, one of Jack Mullin's Signal Corps assignments was to analyze German electronics as he encountered it in the newly occupied territories. Through a series of adventures that he recounts

on the videotape, he found several samples of the Magnetophon tape recorder in a Frankfurt, Germany, broadcast station along with about 50 reels of tape. It far surpassed any acoustic storage medium that Mullin had heard up to that time. Mullin subsequently dismantled a pair of Magnetophons and mailed them home as "spoils of war." Ultimately, Mullin rebuilt the machine with U.S. electronics, added high-frequency preemphasis to extend the response out to 15 kHz, and demonstrated it at various technical and engineering meetings.

One day a visitor mentioned that Bing Crosby might be interested in Mullin's machine because Crosby was prerecording his radio programs and the quality was not very good. It seems that in 1946 Bing Crosby was under contract to Philco to produce a weekly radio show. Crosby did not want to do the show live so he tried to maintain spontaneity by the use of edited transcription discs, a difficult, noisy, and low-fidelity process. The Crosby group tried sound recording on film, but the process was too clumsy to be useful. Wire recording was available—it had been developed by Armour Research during the war—but the fidelity was not adequate even for the AM broadcasts of the day. Jack Mullin to the rescue.

Mullin demonstrated his machine to Crosby and was subsequently hired to record and edit the Crosby show; he used the same tapes he had brought from Germany because there were no others.

During the same period, Mullin demonstrated the machine to a gentleman by the name of Alex Poniatoff, who owned a small manufacturing company called Ampex. In April 1948 Ampex introduced its classic Model 200 machine that became the standard broadcast and studio tape recorder of the time.

Meanwhile, Crosby Enterprises was paying Mullin and his group to develop a videotape machine. Mullin recounts how his group finally achieved some limited success and called a press conference to announce and demonstrate their new technology. As Mullin describes the demonstration, the viewers saw a gray blob moving diagonally upward

across the video screen, which they were told was a plane taking off. The audience was mildly impressed, but in 1955 when Ampex demonstrated a video recorder with a high quality picture, Mullin decided it was time to get out of the video business.

I've given you only some of the highlights of Jack Mullin's presentation. If you would like a copy of the VHS videotape, it is available for \$29.95 postpaid from the Audio Engineering Society, 60 East 42nd Street, Room 2520EN, New York, NY 10165-2520. Ω



TACTICAL ELECTRONICS

Products for Home & Property Protection



MoonLight Viewer

See in the dark using moonlight or bright starlight. Use our CWL10 laser illuminator for seeing in total darkness. SD90 Ready to Use, with camera adapter \$395.00
CWL10 IR Laser Illuminator \$99.50

3 Mile FM Wireless Microphone

Subminiature! Crystal clear, ultra-sensitive. Transmits voices & sounds to FM radio. Excellent for security, monitoring of children, etc. Be the local DJ, or go "under cover" with our FM radio sunglasses. FMV1 Plans \$7.00 FMV1K Kit/Plans.....\$39.50
SUGL10 Sunglasses with built in FM radio \$29.50

Telephone Transmitter - 3 Miles

Automatically transmits 2 sides of a phone conversation to an FM radio. • Tunable • Undetectable on phone • Easy to build • Up to 3 mi range • Only transmits during phone use. VWPM7 Plans.....\$7.00 VWPM7K Kit/Plans.....\$39.50

Extended (X4) Play Telephone Recording System

Complete with X-4 extended play recorder. Automatically records both sides of phone conversation. TAP20X Ready to Use System \$129.50

Tel. Line Grabber/Room Monitor

New - The Ultimate in Security & Safety! Call your home or office phone, push a secret tone key to access either: A. On-premise sounds and voices; or B. existing telephone conversation with break-in capability. Check local laws. TELEGRAB Plans \$10.00
TELEGRAB1K Kit/Plans.....\$99.50

INFORMATION UNLIMITED

BLITZER STUN GUNS

MADE IN U.S.A.
HARD HITTING • COMPACT UNITS
These compact devices easily fit into a small purse or pocket. Hard hitting with safety switch for prevention of accidental discharges. Crackling and sizzling plasma discourages most attackers without physical contact.

DEFENDER	#STUN1, 80,000 V, curved grip	\$49.50
INTIMIDATOR	#STUN2, 100,000 V	\$59.50
BLITZER	#STUN3, 120,000 V	\$69.50
DEVASTATOR	#STUN4, 150,000 V	\$89.50

Laser Terminator

• Size - 2-7/8" X 7/8"
• Range - 300 yards (night)
• Battery - 20 hours continuous
• Windage & Elevation adjustments
• Warranty - 1 year
Mounts on all popular handguns and rifles.
LATR1 - Ready to Use \$174.50

Invisible Pain Field Generator

Pocket size device produces shock waves of intense acoustic energy. Wards off aggressive animals, etc. IPG7 Plans \$8.00
IPG7K Kit/Plans ..\$49.50 IPG70 Assembled...\$74.50

"Laser Bounce" Listener System

Hear sounds from a distant area using a laser beam reflected from a window or other similar objects. Available as a kit or fully assembled with laser gun site. LLIST2 Plans.....\$20.00
LLIST1K Kit of Both Transmitter and Receiver.....\$199.50
LLIST20 Assembled w/ Laser Gun Site.....\$299.50

ADD \$5 P&H • MC, Visa Welcome
Dept EN-15 • Box 716
Amherst, NH 03031-0716
Tel 603-673-4730 Fax 603-672-5406

Orders-Only Phone
800-221-1705

CATALOG! Many More Products! FREE with order, or Send \$1 P&H

April 1994, Electronics Now

COMPUTER CONNECTIONS

1993 in review.

JEFF HOLTZMAN

Twas a very good year, 1993, for the computer industry. Although it lacked epoch-making events, the year nonetheless saw numerous incremental improvements in operating systems, networking, CPUs, software, portable computers, and strategic business alliances.

With the perspective gained by the passage of a few months, I am better able to present an objective view of the events of 1993 in the computer industry.

Information infrastructure

In terms of long-term impact, the single most important computer-related event might not have been technical but political. As discussed in the February issue of this column, the Clinton administration has made a commitment to upgrade the nation's national information infrastructure (NII). It has the goal of redefining the concept that defined the growth of the telephone industry: universal service. It will take years, perhaps even a decade, before we see the results of this commitment, but at least we will have started.

Portable computing

After two years of industry speculation and rumor mongering, Apple released the Newton Messagepad, a stylus-based computer about the size of a small paperback book. As a product, Newton has turned out to be disappointing to many industry observers who had expected more—based on the product promotion. One of its most touted features, handwriting recognition, is poor.

Newton is apparently deficient in other ways as well, particularly in connectivity and data integratability. It took Apple several months to get a Macintosh connectivity kit out the door, and several more months to deliver a Windows version.

Newton nonetheless represents

the most innovative product of 1993, so Apple is to be congratulated. I hope that the company's new less-visionary and more bottom-line oriented CEO, Michael Spindler, continues to push the stylus-technology envelope. It might take two or three generations to get it right, but that's almost always true in the computer industry. Apple has guaranteed itself a place in history by introducing the graphical user interface (GUI) to the general public a decade ago, in 1984, with a computer it called the Macintosh. Newton guarantees the company another spot in the history books.

Tandy also introduced a stylus computer called Zoomer. Less innovative but perhaps more practical than Newton, Zoomer is basically an MS-DOS based machine that has been adapted for pen-based input.

There were many incremental improvements in larger, keyboard-based computers in 1993. It is now possible to purchase battery-powered portable PCs at reasonable prices with bright color screens and as much CPU power, RAM, and hard-disk storage as the average or even above-average desktop PC. IBM's ThinkPad 750 is the king of the hill in this category. The only "gotcha" is that you must be willing to settle for VGA resolution—640 dots × 480 lines—which can be difficult to read if you're used to anything higher.

Other portable computer-related trends include docking stations and increased connectivity options. A docking station provides a simple means of attaching and detaching a computer from a variety of peripherals without having to plug-in individual cables. Docking stations have been around since the mid 1980s, but only in the past year have they become truly useful and reasonably priced. If you want one computer to serve both at home and on the go, a docking station can

give you a larger keyboard and monitor, as well as preattached network, printer, and modem connections. Connectivity options include built-in Ethernet modules, better PCMCIA-card compatibility (watch for PCMCIA slots in desktop machines in '94), a low-priced RF-based hardware/software scheme from Traveling Software, and similar technologies based on the infrared communications system used for years by Hewlett-Packard calculators and peripherals.

Operating systems

The big news in operating systems wasn't very big. MS-DOS 6.0 was released amidst controversy, Windows NT amidst yawns, and OS/2 2.1 amidst accolades.

DOS 6 differs from its predecessor in two major respects: it comes with a disk-compression package called DoubleSpace, and it includes a memory-optimization utility called MemMaker. DoubleSpace caused the controversy. One major trade publication published reports of numerous instances of disk corruption that it claimed could be traced to DoubleSpace. Later that publication recanted, admitting "pilot error" in its testing methodology. It turned out that the test engineers had rebooted machines immediately after making changes to system files, and DOS 6's disk-caching program allowed the reboot to occur before writing all changes to disk.

Microsoft subsequently introduced DOS 6.2 which adopts a more conservative caching scheme as the default. In addition it ensures that the cache is flushed before the prompt is displayed. In between, IBM introduced its own version, DOS 6.1. The software package included a coupon for a third-party disk-compression program. All in all, there was no compelling reason to upgrade from DOS 5. Rumor has it that MS-DOS 7 will at long last

shed the FAT file structure and allow multitasking. Look for it sometime this year or early next year.

Disk compression also found its way into the courts, primarily as a result of a suit brought by Stac Electronics against Microsoft, which, of course, promptly countersued. Neither case has come anywhere near litigation, but Stac has already suffered heavily.

Six months after its introduction, Windows NT proved to be something of a yawner. It gets good reports as a network server, but not as a network client or a stand-alone machine. Most applications developers seem focused on supporting and improving existing Windows 3.1 applications. They want to upgrade them to support version 2.0 of the object linking and embedding (OLE) specification. Some are also bypassing NT altogether and waiting for Windows 4, aka "Chicago," due out in mid to late '94.

OLE 2 is something worth watching very closely. A few applications now support it, including Microsoft's Word for Windows version 6.0, and ShapeWare's Visio 2.0. Conceptually, OLE 2 is fantastic; in practice, however, it requires a lot of RAM to work. Even on an 8-megabyte machine, there is still a lot of disk swapping, and that means S...L...O...W operation. OLE was in danger of failing to achieve the broadest possible industry support, but Microsoft recently joined the leading industry consortium, the Object Management Group (OMG). It is concerned with inter-application and cross-platform object sharing.

1993 also saw the release of several competing Windows-on-Unix technologies. None is likely to achieve technical success, not to mention business success. The technology that probably has the most chance of even moderate success is Wabi, which was developed by SunSelect, a software subsidiary of Sun Microsystems, and Unix Systems Laboratories, the former AT&T entity now owned by Novell. Wabi is a "super" emulation technology that allows Windows programs to run on RISC/Unix workstations. The "super" part comes in because Wabi does not

emulate Windows, DOS, and ultimately an 80x86 CPU, as do most emulators. Rather, it translates MS-Windows calls into equivalent X-Windows calls (or sequences thereof, as necessary). This gives Wabi tremendous potential speed compared with traditional emulation technologies. The bad news is that numerous so-called "certified" applications—including Word for Windows, Excel, and other Microsoft applications—have uncovered bugs in Wabi. No doubt those bugs can be fixed, but by then it's likely that technology will have marched on,

THIS YEAR

1993 witnessed many relatively small, evolutionary steps in the computer industry. In 1994 we will see more-radical steps, such as shedding real-mode 640K DOS and the FAT file system, and bundling basic networking software and utilities (E-mail) with the operating system. Pentium-based systems will quickly penetrate the market because of the growing number of vendors building 486 clones. Sixteen megabytes of RAM will become the de facto desktop standard, as will 350–500 megabyte hard disks. Battery life and screen resolution will continue to be the bugaboo of laptop users. A continued low ratio of CPU power to energy consumed will prevent widespread adoption of pen systems, which will nonetheless improve immensely. RF and IR will emerge as viable temporary/short-term solutions for connecting portables to main machines and networks. Look for increasingly sophisticated software that will help synchronize files across multiple machines. □

and a new level of emulation will be required. This is the same problem perennially faced by IBM with OS/2.

Amidst all this Windows-related activity, it's easy to lose sight of OS/2 2.1. In short, IBM got it right this time. OS/2 provides the promised better DOS than DOS, and until Chicago becomes real, a Windows that is good enough. I am concerned about IBM's ability to track Windows upgrades, especially now that the company no longer has rights to Microsoft code.

Regardless, with OS/2 2.1 IBM has a window of business opportunity, and users have an opportunity to experiment with a 32-bit operating system and an advanced user-interface paradigm, yet retain the ability to run existing applications.

CPUs and RAM

In 1993 Intel released the evolutionary successor to the 486, the Pentium. There's good news and bad news. The good news is that Pentium is fast. The bad news is that systems based on it are (still) not generally available, especially the 66-MHz speed champs (60-MHz units are easier to find). This has been good for buyers content with 486 machines; their prices continue to drop steadily. Intel has announced an OverDrive processor that will allow selected 486 motherboards to run crippled Pentiums; they should be available by mid 1994.

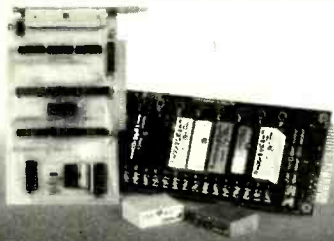
American Micro Devices (AMD), Cyrix, and Texas Instruments are selling 486 clones. As a result Intel is losing market share because it can't move customers up to Pentium systems fast enough. And all four companies have ensured steady work for their lawyers, for years to come. Intel and AMD are suing each other. TI and Cyrix are suing each other. And there are lots of other suits draining the semiconductor industry of valuable resources.

If Windows NT is the software industry's attempt to bring Unix to the desktop, the PowerPC is the hardware equivalent. POWER is IBM's acronym for Performance Optimization With Enhanced RISC; POWER refers to the RISC processors that form the heart of the company's RS/6000 workstation line. Part of IBM's historic 1991 accords with Apple and Motorola called for joint development of a more integrated POWER chip set—one that could form the basis of a mass-produceable, inexpensive computer. This effort came to fruition in fall of 1993 with IBM's release of several RS/6000 workstations. Apple appears committed to phasing 680x0 microprocessors out of its Macintosh line in favor of PowerPC microprocessors. More-

EN Computer Admart

Rates: Ads are 2 1/4" x 2 1/4". One insertion \$995 each. Six insertions \$950 each. Twelve insertions \$925 each. Closing date same as regular rate card. Send order with remittance to Computer Admart, Electronics Now Magazine, 500-B Bi-County Blvd., Farmingdale, NY 11735. Direct telephone inquiries to Arline Fishman, area code-1-516-293-3000. FAX 1-516-293-3115. Only 100% Computer ads are accepted for this Admart.

PC POWER I/O CARD



Using your PC, AT, or EISA personal computer, the PC Power I/O Card allows you to monitor and control up to 24 digital signals or loads using an industry-standard I/O rack with optically-isolated sensors and solid-state relays. Wintek's design simplifies your software and includes a watchdog timer for safety.



Wintek Corporation
1801 South Street
Lafayette, IN 47904

(800) 742-6809 or (317) 448-1903

CIRCLE 189 ON FREE INFORMATION CARD

GET THE MOST FROM YOUR PC'S HARD DISK



If you are disorganized and use your hard disk inefficiently, you need this book to help you organize your files, use batch files, and use backup and security procedures. To get your copy (BP280) send \$6.95 plus \$2.50 for shipping in the U.S. only to **Electronics Technology Today Inc., P.O. Box 240, Massapequa Park, NY 11762-0240.**

Get Started in Lotus 1-2-3 The Easy Way



If you are getting started in Lotus 1-2-3 at any release level, you'll want these power-packed duo publications designed for first-time users and those who need refresher orientation. To get both (BP261 and BP302) send \$12.20 plus \$2.50 for shipping in the U.S. only to **Electronics Technology Today Inc., P.O. Box 240, Massapequa Park, NY 11762-0240.**

over, IBM will also introduce a line of "PCs" based on the PowerPC. An organization, called PowerOpen, has formed to help promulgate hardware and software standards to ensure compatibility.

The good thing about the PowerPC architecture is its performance/price ratio, which is much higher than that of the Intel line. PowerPC is likely to make a smooth transition in the Macintosh market, because it can run existing Macintosh applications as-is. This is not true for DOS/Windows applications which will require sophisticated emulation. Again, the problem with emulators is that they can be bug-filled and they lack performance, and they typically lag major operating system releases.

However, PowerPC might not have to suffer the indignities over compatibility that OS/2 has been fighting all these years. Microsoft appears to be evolving all its major application programming interfaces (APIs) to the cross-platform model first exhibited by NT, which can already run on Intel, DEC, and MIPS platforms. I believe that Cairo, which is currently being billed as the successor to NT, will also be the successor to Windows 4. If my theory is correct, Cairo will run on multiple platforms, including Intel,

PowerPC, DEC Alpha, MIPS R4400, Sun SPARC, HP PA, and perhaps others. Equally important, it will support the entire DOS/Windows API, along with the Unix-based NT API. It will, in short, run anything on anything. Maybe. We'll see. But that's the only realistic hope that PowerPC has to achieve anything other than a small fraction of the market.

An explosion in early July at the Sumitomo Chemical plant in Japan halted production of epoxy cresol resin, the key ingredient used to manufacture plastic IC packages. That plant met more than 50% of the worldwide demand for that resin. Consequently, IC prices, particularly DRAMs, increased, sometimes by a factor of three. Well before the end of the year, however, the situation was back under control, and prices returned to pre-explosion levels. At this point, it is possible, at the retail level, to buy 16 megabytes of DRAM in 4-megabyte modules for less than \$600, which is an incredible price for anyone who has followed the computer industry for more than a few years.

Other '93 highlights

Networking costs dropped radically, and performance prepared to surge ahead. IEEE 802.3 (Ethernet)

network interface card (NIC) prices dropped to the \$100 level, and several competing standards were proposed to increase Ethernet's basic 10 megabit per second (Mbps) data rate to 100 Mbps.

Borland is in deep trouble. The company has been pilloried for failing to deliver a Windows version of dBASE. Compared with multi-product rivals Microsoft and Lotus, Borland looks increasingly thin. Throughout the eighties, the company invented and reinvented itself every few years, first around Turbo Pascal, then around SideKick, later around Paradox and the C compilers. It's time that it does it again.

Retail software prices caved in during 1993, with the result that buyers now have to pay extra for support. On the other hand, look for much better built-in support, now that CD-ROM drives and sound cards are becoming so widespread.

Multimedia has been a pet topic of mine for years. 1993 saw a dramatic rise of general interest in the topic. More and more games, application programs, and even operating systems are now available on CD. Those versions typically carry extras ranging from clip art and fonts and on-line help to demo versions of other applications. The trend will continue in 1994. □

BUYER'S MART

FOR SALE

TUBES: "oldest", "latest". Parts and schematics. SASE for lists. **STEINMETZ**, 7519 Maplewood Ave. RE, Hammond, IN 46324.

TUBES, new, up to 90% off, SASE, **KIRBY**, 298 West Carmel Drive, Carmel, IN 46032.



RECEIVING TUBES

OVER 3000 TYPES IN STOCK!

Also hard-to-find transformers, capacitors and parts for tube equipment. Send \$2.00 for our 32 page catalog.

ANTIQUE ELECTRONIC SUPPLY

6221 S. Maple Ave. • Tempe, AZ 85283 • 602-820-5411

CABLE TV descramblers. All major brands. Have make and model of the type used in your area when calling. 1 (800) 327-3407. **K.D. VIDEO**, PO Box 29538, Mpls., MN 55429.

THE Case Against the Patents. Thoroughly tested and proven alternatives that work in the real world. \$24.50. **SYNERGETICS PRESS**, Box 809-C, Thatcher, AZ 85552. (602) 428-4073. Visa/MC.

CABLE TV descramblers. Nobody beats our price! Quantity discounts. 24 hour shipping. All brands. Call V.C.I., 1 (800) 677-0321.

CABLE descramblers, test turn-on kits, bullet stoppers. We have the lowest prices in the industry. Call everyone else, then call us for the best price. We will buy or repair your cable equipment. No Florida sales. (305) 425-0751.

SECRET cable descramblers! Build your own descrambler for less than \$12.00 in seven easy steps! **Radio Shack** parts list and free descrambling methods that cost nothing to try, included. Send \$10.00 to: **INFORMATION FACTORY**, Dept. 4, PO Box 669, Seabrook, TX 77586. For COD's (713) 922-3512 any time!

COLOR schematic designer V3.0 for color computer 3. \$30.00 US. **RADICAL ELECTRONICS**, Box 1350, Saskatoon, SK Canada S7K-3N9.

RS232 based data acquisition card for IBM or MAC. 8 digital I/O 2, 8 bit analog inputs program using BASIC, C, Hypercard etc. \$99.00 U.S. Free info. **ONTRAK CONTROL SYSTEMS**, 422 Arnley Street, Sudbury, Ontario, Canada P3C 1E7. (705) 671-2652.

CABLE test chips. Jerrold, Tocom, S.A., Zenith. Puts cable boxes into full service mode! \$29.95 to \$59.95. 1 (800) 452-7090, (310) 902-0841.

CB RADIO OWNERS!

We specialize in a wide variety of technical information, parts and services for CB radios. 10-Meter and FM conversion kits, repair books, plans, high-performance accessories. Thousands of satisfied customers since 1976! Catalog \$2.

CBC INTERNATIONAL

P.O. BOX 31500RE, PHOENIX, AZ 85046

300 Experimenters Circuits — Complete in 6 practical books using diodes, relays, FET's, LED's, IC 555's, and IC CA3130's for building blocks. Only \$33.00 plus \$5.50 for shipping. USA and Canada only. US funds. **ETT, INC.**, PO Box 240, Massapequa Park, NY 11762-0240.

CABLE Converters, accessories below wholesale! Immediate delivery from giant stock! COD orders only. 1 (800) 995-1749.

Quality Microwave TV Antennas

WIRELESS CABLE - IFTS - MMDS - Amateur TV
Ultra High Gain 50db(+) • Tuneable 1.9 to 2.7 Ghz

- 55-Channel Dish System \$199.95
- 36-Channel Dish System \$149.95
- 20-Channel Dish System \$124.95
- Optional Commercial Grid Antenna (not shown) Add \$50.00
- Yagi Antennas, Components, Custom Tuning Available
- Call or write (SASE) for "FREE" Catalog

PHILLIPS-TECH ELECTRONICS
P.O. Box 8533 • Scottsdale, AZ 85252
(602) 947-7700 (\$3.00 Credit all phone orders)
MasterCard • Visa • American Express • COD's • Quantity Pricing

Dish System
LIFETIME WARRANTY

CABLE descrambling New secret manual. Build your own descramblers for cable and subscription TV. Instructions, schematics for SSAVI, gated sync, sinewave, (HBO, Cinemax, Showtime, UHF, Adult) \$12.95, \$2.00 postage. **CABLETRONICS**, Box 30502R, Bethesda, MD 20824.

FREE CATALOG

FAMOUS "FIRESTIK" BRAND CB ANTENNAS AND ACCESSORIES. QUALITY PRODUCTS FOR THE SERIOUS CB'er. SINCE 1962

FIRESTIK ANTENNA COMPANY
2614 EAST ADAMS
PHOENIX, ARIZONA 85034

CABLE TV converters. Jerrold, Zenith, Pioneer, Oak, Scientific Atlanta, and many more. 12 years experience gives us the advantage. Visa/MC Amex COD **ADVANTAGE ELECTRONICS, INC.**, 1 (800) 952-3916 1125 Riverwood Dr., Burnsville, MN 55337.

TEST equipment pre-owned now at affordable prices. Signal generators from \$50.00, oscilloscopes from \$50.00. Other equipment including manuals available. Send \$2.00 U.S. for catalog refunded on first order. **J.B. ELECTRONICS**, 3446 Dempster, Skokie, IL 60076. (708) 982-1973.

CABLE test-chips as low as \$9.95, for testing cable boxes in full service mode. Jerrold; Starcom VI & VII; Pioneer, clears E2 thru E5; Pioneer cubes: BA-5000 thru BA-6700; Tocom 5503/5507; Scientific Atlanta: 8500 thru 8600; Zenith: all but PZ1; remotes \$10.00. **N.E. ENGINEERING**, 1 (800) 926-4030, fax (617) 770-2305.

ANTIQUE RADIO CLASSIFIED

Free Sample!

Antique Radio's

Largest Circulation Monthly.

Articles, Ads & Classifieds.

6-Month Trial: \$16.95. 1-Yr: \$29.95 (\$44.95-1st Class).

A.R.C., P.O. Box 802-L11, Carlisle, MA 01741



MULTI-VISION ELECTRONICS

Converters & Descramblers

- *Jerrold *SA
- *Tocom *Oak
- *Zenith *More



Why tolerate unbearable, monthly cable fees when you can buy for less at Multi-Vision?

1-800-835-2330

PREVENT descrambler damage. Don't bite the bullet! Snooper Stopper Data Pulse Blocker \$34.95 — Data Blocker with dual surge protection \$54.95 — Wireless Video Sender \$54.95 — remote control A/B switch \$39.95 — **VIDEO CONNECTIONS**, 1 (800) 925-9426.

TOP quality imported, domestic kits; computers, components; surplus, discount electronics, parts; auto, home electronics; lasers. **Catalog \$2.00.** **TEKTRASONIX**, 740 E. Bay Avenue, Manahawkin, NJ 08050.

SOFTWARE! Home automation, science fair, security, industrial control software for Apple II and IBM. Send for latest information. Software packages from \$29.95. Need custom software? Software for X10, Alpha products, B&B products, and more! **WILMINGTON COMPUTER APPLICATIONS**, PO Box 429, Wilmington, MA 01887. Phone (508) 658-9950.

Look to the Future
With Your Own
Cable Converter & Descrambler !

1-800-228-7404

NU-TEK ELECTRONICS
FREE CATALOG!

3250 Hurch Rd.
Suite 1 C
Cedar Park, TX 78613

ALL MAJOR BRANDS

COD

CABLE doctor. Stop the bullet and ID signals in cable lines. Send \$20.00 to: **R.R. ENTERPRISES**, PO Box 3532, Easton, PA 18043.

RESTRICTED information: surveillance & schematics, locks, cable, hacking, more. Details: **MENTOR**, Box 1549-Z, Asbury, NJ 07712.

WANTED

INVENTORS: We submit ideas to industry. Find out what we can do for you. 1 (800) 288-IDEA.

INVENTORS

INVENTORS! Can you patent and profit from your idea? Call **AMERICAN INVENTORS CORP.** for free information. Serving inventors since 1975. 1 (800) 338-5656.

FLASH**EPROMS****DIRECT FROM THE IMPORTER!!
NO MINIMUM ORDER!!**28F010-15 128KB x8 150NS(12v) CMOS \$17.95
28F020-15 256KB x8 150NS(12v) CMOS \$31.95Plugs directly into EPROM Socket.
Non-volatile FLASH memory offer
designers Electrical Reprogramability
in system.

Applications Include:

- P.C. Bios
- Solid State Disc Drive Replacement
- Tapeless Voice-Recording Machines
- Digital Cameras

FIRST TIME OFFER—DIRECT TO END USER

SUPERIOR ELECTRONIC SUPPLY, INC.
25156 Modoc, Laguna Hills, CA 92653

Serving The Wholesale Electronics Industry for 19 Years

**TEL: (714) 454-0430
FAX: (714) 837-4125**Free Data Sheet. All Product 100%
Guaranteed. We accept VISA, MC,
Pre-Paid Orders, Company PO
with prior approval. Price does
not include shipping and insurance.**Order Now For Immediate Shipment!**

CIRCLE 185 ON FREE INFORMATION CARD

**CABLE TV
DESCRAMBLERS**Best Prices in the U.S.A!
Guaranteed to Work!**QUANTITY DISCOUNTS****JERROLD PANASONIC
SCIENTIFIC ATLANTA PIONEER****The Newest & the Latest****DMTB-A** - all Jerrold Impulse &
Starcom series**SA3-DFA** - all Scientific Atlantas
including 8536, 8536+,
8580, Drop-field**PN-3A** - all Pioneer systems

ALSO

FTB3, SA3, TZPC145G**FAST SHIPMENTS
30 DAY MONEY BACK GUARANTEE
FREE CATALOG & INFORMATION****1-800-772-6244**

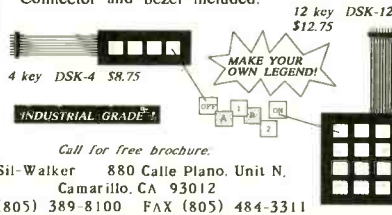
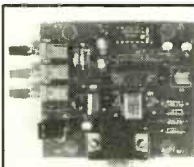
M-F 9-6 EST

U.S. Cable TV, Inc. Dept.: KEN044

4100 N. Powerline Rd., Bldg. F-4 Pompano Beach FL 33073

NO FLORIDA SALES!

CIRCLE 191 ON FREE INFORMATION CARD

**CABLE BOX
WHOLESALE, INC.****BEST BOXES—BEST PRICES****Immediate Shipping—COD's
Satisfaction Guaranteed****FREE Catalog—Call Now****800-841-7835****MEMBRANE SWITCH KITS!**These highly durable water resistant flat-panel
keypads can be assembled in minutes with
YOUR legend! Available in 4, 12, 16, 24 &
40 Key models. Steel "clickdomes" optional.
Connector and bezel included.**PLANS AND KITS****60 SOLDERLESS Breadboard Projects** in two
easy-to-read pocket books. Complete with circuit
descriptions, schematics, parts layouts, compo-
nent listings, etc. Both books (BP107 & BP113)
only \$11.90 plus \$3.50 for shipping. USA and Can-
ada only. US funds. **ETT, INC.**, PO Box 240, Mas-
sapequa Park, NY 11762-0240.**SINGERS! REMOVE
VOCALS!****Unlimited Backgrounds™**From Standard Records & CD's with the
Thompson Vocal Eliminator™ Call for Free
Catalog & Demo Record.
Phone: (404)482-4189 Ext. 72
Singer's Supply, Dept. RL-1
7987 Hightower Trail
Lithonia, GA 30058
24 Hour Demo/Info Request
Line (404)482-2485 Ext. 72
Singer's Supply - We Have Anything & Everything For Singers**FASCINATING** electronic devices! Voice Dis-
guiser! Vocal truth indicator! Lasers! Transmitters!
Detectors! Free energy! High voltage! More! Kits/
Assembled! Catalog \$4.00 (refundable).
QUANTUM RESEARCH, 17919-77th Ave.,
Edmonton, Alberta, Canada. T5T 2S1.**FREE** catalogs are cool — Uhh, uhh. Yeah, yeah
— cool. **GALLIMORE ELECTRONICS**, Box
70150-H, San Diego, CA 92167.**ACE** cable equipment and personal security
PRODUCTS. We are one of the first in the busi-
ness and have the newest and latest. For immedi-
ate COD shipping call 1 (800) 234-0726.**HOT KITS!!!**Telephone Dialer
Multistation ThermometerFor More Information
CALL 1-800-772-3945

GENOA Group

FASCINATING kits! Lasers, voice changers, gas
sensors, and more! Send \$1.00 for catalog. **LNS
TECHNOLOGIES**, 20993 Foothill Blvd. Suite
307R, Hayward, CA 94541-1511.**PRINTED** circuit boards, etched & drilled. Free
delivery. **K&F ELECTRONICS INC.**, 33041
Groesbeck, Fraser, MI 48026. (313) 294-8720, fax
(313) 294-5999.**ALL-in-one** catalog. AM/FM/ham/spy, transmit-
ters/amplifiers, voice disguisers, descramblers,
audio/TV/science projects. Start your own li-
censed/unlicensed radio station, books/plans/kits
for import and export. 60 mouth-watering pages
for \$1.00. **PAN-COM INTERNATIONAL**, PO Box
130-F4, Paradise, CA 95967.**CABLE TV
DESCRAMBLER LIQUIDATION!****FREE CATALOG!**

Hamiln Combos \$44, Oak M35B \$60 (min. 5), etc.

WEST COAST ELECTRONICS

For Information: 818-709-1758

Catalogs & Orders: 800-628-9656

CABLE/SATELLITE**UNDETECTABLE** cable/satellite descrambler
will work on all systems guaranteed! Send
SASE/info, \$94.95/kit, \$14.95/plans. **MYSTICAL
ELECTRONICS**, PO Box 481, Cooper Station,
New York, NY 10276.**CABLE TV TURN-ON CHIPS****SUPER** Cable TV "Test Chips". Provides full
service activation. Excellent instructions & illustra-
tions. **Jerrold: Starcom-6 . Starcom-7. Scientific
Atlanta: 8500 thru 8600. Tocom: 5503-
VIP-5507. Zenith: ST-1000 thru ST-5000. Call
now!! MASTER COMPONENTS. 1 (800)
233-0570.****PATENTING****INVENTORS: THE CONCEPT NETWORK** repre-
sents people who want to patent and market their
new product ideas. Schematics or prototype pre-
ferred but not required. Free information kit. Call 1
(800) 835-2246 ext 67.**BEST BY MAIL**

Rates: Write National, Box 5, Sarasota, FL 34230

MONEYMAKING OPPORTUNITIES**\$HOMES EMPLOYMENT INFORMATION!** \$1/SASE: Box
2508-(RE), Ames, IA 50010-2508.**VACATIONS****\$5.00 A DAY VACATION HOTELS!!** Save Big \$ With Great
Vacation Hotel Specials. 6 Days 5 Nights Walkiki, Hawaii; 5
Days 4 Nights Las Vegas; Freeport, Bahamas; Cancun, Mex-
ico, As Low As \$25.00. Plus Discount Airfares, Cruises And
Much Much More! Call Now 1-800-864-8720.**THIS A REGULAR TYPE BOLDFACE AD** with a
tint screen. To have your ad appear like this one,
the cost is \$4.15 per word.**THIS IS A BOLDFACE EXPANDED AD** with a
tint background. . If you like this format,
request it. Your cost is \$6.80 per word.



Power Supplies

• Data sheet included



28871

Part No.	Watts	Voltage (Amp)					Price	
		+5VDC (Amp)	+12 VDC (Amp)	-5 VDC (Amp)	-12 VDC (Amp)	1-9	10-24	
101362	17.2	2	0.3	----	0.3	\$39.95	35.95	
77981	28	2	1.5	----	----	12.95	11.49	
98685	28	4.3	0.5	0.1	----	19.95	17.95	
28935	30	6	----	----	----	12.95	11.49	
103510	31	3	1	----	0.33	19.95	17.95	
28927	41.6	3.75	1.5	----	0.4	19.95	17.95	
28898	41.9	4.8	1.1	0.1	0.34	19.95	17.95	
66131	42.5	2.5	2	----	0.5	24.95	22.49	
103958	42.5	2.5	2	----	0.5	24.95	22.49	
103544	42.6	3	2	----	0.3	19.95	17.95	
103173	42.6	3	2	----	0.3	19.95	17.95	
101354	44.1	3	2	0.3	0.3	49.95	44.95	
88401	45	3	2	----	0.5	39.95	35.95	
28871	50.5	6	0.5	0.5	1	19.95	17.95	
65912	53	7	1	----	0.5	12.95	11.49	
17056	54	5	1	↑	1	49.95	44.95	
101397	57.7	4	3	0.1	0.1	54.95	49.49	
28943	59.1	6	2	0.3	0.3	24.95	22.49	
101371	66	5.5	2.5	0.5	0.5	59.95	53.95	
101813	73.1	10	1.5	0.3	0.3	29.95	26.95	
98706	77.4	10	0.2	5	----	24.95	22.49	
101389	84.5	8	3	0.5	0.5	74.95	67.49	
66940	100	20	----	----	----	14.95	13.49	
103501	137.5	15	4.5	0.5	0.5	29.95	26.95	
65795	192.2	28	4	----	0.35	19.95	17.95	
93315	194	28	4	----	0.5	21.95	19.95	

Metex Digital Multimeters



27140

- Handheld high accuracy
- Measures AC/DC voltage, AC/DC current, resistance, diodes, audible continuity test, transistor hFE
- Manual ranging w/overload protection
- Comes with probes, batteries, case and manual • One-year warranty

Part No.	Description	Price
27078	3.5 digit multimeter	\$59.95
27086	3.5 digit multimeter with frequency & capacitance	69.95
27115	3.5 digit multimeter	39.95
27140	4.5 digit multimeter with tach and dwell	69.95
27158	4.5 digit w/frequency and capacitance/data hold switch	99.95

Jameco Solderless Breadboards



20757

Our long-lasting breadboards feature screen printed color coordinates and are suitable for many kinds of prototyping and circuit design. Larger models feature heavy-duty aluminum backing with voltage and grounding posts.

- One-year warranty

Part No.	Terminal Strips	Bus Strips	Contact Points	Price
20343	0	2	200	\$3.95
20600	1	2	400	4.95
20669	1	0	630	5.25
20722	1	2	830	6.95
20757	2	1	1,360	11.95
20773	2	4	1,660	16.95
20790	3	5	2,390	22.95
20811	4	7	3,220	30.95

6 Outlet Wall Plug-In



- Electrical rating: 15 Amp, 120VAC, 60Hz
- EMI/RFI noise rejection: up to 15dB

Part No.	Product No.	1-9	10-24
99291	EP6	\$5.95	\$4.95

7 Outlet Power Strip with 4 ft. Cord



Part No.	Product No.	1-9	10-24
98749	LR69225	\$9.95	\$8.95

Linear Series Devices



51262

Part No.	Product No.	Price
23051	LH0002CN	\$7.95
33216	TL074CN	.89
24811	MAX232CPE	2.75
23683	LM324N	.49
23771	LM3362	1.09
23835	LM338K	4.39
23851	LM339N	.49
23966	LM358N	.49
27422	NE555V	.45
24539	LM741CN	.39
23157	LM1488N	.49
23181	LM1489N	.49
23237	LM1871N	4.95
23253	LM1872N	4.95
34278	ULN2003A	.95
34972	XR2206	3.75
34315	ULN2803A	.99
23376	LM2941T	2.95
51262	7805T	.49
51334	7812T	.49
50964	75176	1.95

Microprocessors



26147	MM54104N	\$24.95
26227	MM58274N	7.49
43158	6402	4.95
43166	65C02	5.95
43254	6522	3.75
43596	6821	1.95
51844	8031	3.59
51676	80C31	6.95
52003	8052AH	6.95
52142	8088	3.95
52652	8251A	2.95
52724	8255	2.75
52732	8255A-5	2.95
52417	82C55A	3.95
53022	8748	8.75
53057	8749H	9.75
53081	8751H	24.49
52978	87C51	32.95

Capacitors



Monolithic, Silver Mica, Radial and Axial Electrolytic Capacitors also available.

Ceramic Disc (± 20%)

Part No.	Capacitance	Voltage	1-9
15405	22pt	50v	\$.10
15341	100pf	50v	.10
15190	.001µf	50v	.10
15229	.01µf	50v	.10
15253	.047µf	50v	.12
15270	.1µf	50v	.15

Mylar (± 10%)

Part No.	Capacitance	Voltage	1-9
26884	.01µf	100v	\$.11
26921	.033µf	100v	.15
26956	.1µf	100v	.19
26972	.22µf	100v	.27
26999	.47µf	100v	.35
27001	1µf	100v	.59

Dipped Tantalum (± 10%)

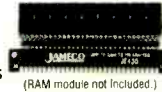
Part No.	Capacitance	Voltage	1-9
33486	.1µf	35v	\$.19
33662	.1µf	35v	.23
33734	2.2µf	35v	.27
33806	4.7µf	35v	.39
33689	10µf	35v	.65
33822	47µf	25v	2.49

Carbon Film 1/4 Watt 5% Resistor Assortments



Part No.	Description	Price
10719	5 each 70 values (every other value from R10 ohm-R5.6 meg) (350 pcs.)	\$9.95
10663	100 each (27 values) R10 thru R10M (2,700 pcs.)	39.95

SIPP to SIMM Module Converter



- Use SIPP's in place of SIMM's
- Upgrade from a SIPP Motherboard to a new SIMM Motherboard w/out buying new RAM
- Fits into standard 30 pin SIMM socket
- Double sided board for reliable operation
- Size: 1.6" maximum height x 3.5" wide (with 9 chip SIPP installed)

Part No.	Product No.	1-9	10-99
93382	JE430	\$9.95	9.49

Potentiometers



3/8" Square Single-Turn Cermet

Part No.	Product No.	Ohms	1-9
42964	63P1K	1K	\$.85
43078	63P5K	5K	.85
43001	63P10K	10K	.85
43051	63P20K	20K	.85
43027	63P100K	100K	.85

3/4" Rectangular 15-Turn Cermet



Part No.	Product No.	Ohms	1-9
41785	43P1K	1K	\$.99
41890	43P5K	5K	.99
41822	43P10K	10K	.99
41873	43P20K	20K	.99
41911	43P50K	50K	.99

Microprocessor Crystals



Part No.	Product No.	Freq. (MHz)	1-9
14357	CY1.84	1.8432	\$2.19
14533	CY3.57	3.579545	1.09
14592	CY4	4.0	1.09
14681	CY6	6.0	1.09
14699	CY6.14	6.144	1.09
14710	CY7.37	7.3728	1.09
14728	CY8	8.0	1.09
14402	CY12	12.0	1.09
14584	CY32.76	32.768KH	.89

TTL Crystal Clock Oscillators



Part No.	Product No.	Freq. (MHz)	1-9
27861	OSC1	1.0	\$3.29
27924	OSC2	2.0	3.29
27967	OSC4	4.0	3.29
27991	OSC8	8.0	3.29
27887	OSC10	10.0	3.29



Mention V.I.# 4R4

1355 Shoreway Road
Belmont, CA 94002-4100
FAX: 1-800-237-6948 (Domestic)
FAX: 415-592-2503 (International)

Call for our new 1994 Catalog today.

No minimum order required!

© 1994 Jameco 4/94

Call 1-800-831-4242 to order today!

ALL ELECTRONICS

Courteous Service.. Discount Prices.. Fast Shipping

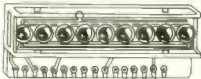
CIGAR LIGHTER SOCKET



Cigar lighter socket on 24" length of black 18/2 zip cord. Ideal for attaching battery chargers, cellular phones, lap-top computers and other appliances to other power supplies, or use as auxiliary socket in the car.

CAT # CLS-2 **\$1.25** each **10 for \$10.00**

9 DIGIT LED DISPLAY



National Semiconductor # WUS2294V-0 (NSA1198) Nine red LED characters, each is 3 mm high. Mounted on a module 2" X 0.73" X 0.23". Common cathode. Includes hook-up diagram.

CAT # TDY-9 **\$1.25** each **10 for \$10.00**

5 WAY MULTI-POINT TEST LEADS



High quality, flexible, cloth covered red and black test leads with telecom industry

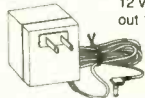
standard 5 way multipoint test clips on one end and spade lugs on the other end. 5 ways to connect clips: 1) U-shaped nose for qc terminals; 2) Notched jaw for gripping screws, wires or terminals; 3) Serrated teeth for threaded or wire wrap terminals; 4) Cluster of small needles for piercing small gauge wires; 5) Large piercing needle for piercing larger wires. 4 feet long. At one end of the cord is a 1500 ohm resistor that can be switched in and out of circuit.

CAT# TL-200 **\$3.50** per set

11 Vdc, 500 ma. WALL TRANSFORMER

SUPER SPECIAL!

We have lots of these brand new wall transformers rated 11 Vdc @ 500 ma., but they work fine at 12 volts. With no load they put out 16.2 Vdc. 2.1mm id power plug center positive. White case - U.L listed



CAT# DCTX-115

\$2.00 each **100 for \$175.00**

ORDER TOLL FREE 1-800-826-5432

CHARGE ORDERS to Visa, MasterCard or Discover

TERMS: Minimum order \$10.00 Shipping and handling for the 48 continental U.S.A. \$4.00 per order. All others including AK, HI, PR or Canada must pay full shipping. All orders delivered in CALIFORNIA must include state sales tax (7.25%, 7.5%, 7.75%, 8.25%, 8.5%) Quantities Limited. NO C.O.D. Prices subject to change w/out notice.

Call Or Write For A Free **64 Page CATALOG**

Outside the U.S.A. send \$2.00 postage.

MAIL ORDERS TO: **ALL ELECTRONICS CORPORATION**
P.O. Box 567
Van Nuys, California 91408
FAX (818) 781-2653



Parts Express is pleased to announce that we are now stocking the complete line of fine multimeters from Tripplett Corporation. Tripplett has been producing high quality test and measurement equipment since 1904. For more information and to get a copy of our FREE 172 page catalog call our toll free number.

FREE CATALOG



1-800-338-0531
Phone: (513) 222-0173
FAX: (513) 222-4644
Parts Express Int'l Inc.
340 East First St.
Dayton, 45402

CIRCLE 56 ON FREE INFORMATION CARD

EDUCATION & INSTRUCTION

F.C.C. Commercial General Radiotelephone license. Electronics home study. Fast, inexpensive! "Free" details. **COMMAND, D-176, Box 2824, San Francisco, CA 94126.**

ELECTRONIC engineering. 8 volumes complete. \$109.95. No prior knowledge required. Free brochure. **BANNER TECHNICAL BOOKS, 1203 Grant Avenue, Rockford, IL 61103.**

ELECTRICITY/Electronics training series used by U.S. military. 23 volumes, other courses available. Free info: **FEDERAL TECHNICAL PUBLISHERS, Box 1061 N, Glen Lake, MN 55345.**

Be a TV/VCR Repair Specialist

Now you can train for a money-making career as a TV/VCR Repair Specialist. No previous experience necessary. No need to quit your job or school. Everything is explained in easy-to-understand language with plenty of drawings, diagrams and photos. We show you how to troubleshoot and repair video cassette recorders and TV sets. Send for free facts about the exciting opportunities in TV/VCR Repair and find out how you can start making money in this great career.

MAIL COUPON TODAY OR CALL TOLL FREE:

1-800-992-8765 Ext. 3562
CALL ANYTIME—24 hours a day, 7 days a week.

SCHOOL OF TV/VCR REPAIR, Dept. ADE034S
925 Oak Street, Scranton, PA 18515

Please send me full information and color brochure on how I can learn TV/VCR Repair at home in my spare time. I understand there is no obligation and no salesman will visit me.

Name _____ Age _____
Address _____ Apt # _____
City/State _____ Zip _____
Phone () _____

SURVEILLANCE & COUNTERSURVEILLANCE Electronic Devices

Bugging/Phone Tapping Detectors • Caller IDs • Covert Video
• Phone Scramblers • Voice Changers • Shotgun Mics
Vehicle Tracking • Transmitter Kits • Locksmithing • AND MORE!

NEW! Telephone Recording Systems Disguise Video Cameras

FOR CATALOG SEND \$5.00 TO...
P.O. Box 337, Buffalo, NY 14226 (716) 691-3476

BUSINESS OPPORTUNITIES

MAKE \$75,000.00 to \$250,000.00 yearly. Learn IBM monitors repairs. (solutions most brands). New home based business program. Software available. Information: **USA-Canada \$3.00 cash** (no checks), dealers wanted worldwide (\$35.00) **US funds. RANDALL DISPLAY, PO Box 2168 R, Van Nuys, CA 91404 USA.**

EASY work! Excellent pay! Assemble products at home. Call toll free **1 (800) 467-5566 Ext. 5192.**

START your own technical venture! Don Lancaster's newly updated **Incredible Secret Money Machine II** tells how. We now have autographed copies of the Guru's underground classic for **\$18.50. SYNERGETICS PRESS, Box 809-C, Thatcher, AZ 85552. (602) 428-4073. Visa/MC.**

CABLE TV DESCRAMBLERS

1-800-233-9388

FREE CATALOG
GUARANTEED BEST PRICES • IMMEDIATE SHIPPING
APPLE ELECTRONICS
3389 Sheridan St., Suite 257
Hollywood, FL 33021

PAY TV AND SATELLITE DESCRAMBLING

Our Best Yet 1994 EDITION Our Best Yet

Includes the latest cable box and satellite (PLUS, B-MAC) fixes. Lots of schematics and chip files (all new), bullets, ECM's, etc. ONLY \$15.95. Our best yet. Other Pay TV editions, volumes 1-5 (all different), \$15.95 each. The Complete Wizard. VCI PLUS hacking, \$15.95. Satellite Systems Under \$600, \$12.95. Wireless Cable Hacking \$12.95. Hacker Video \$19.95. Any 3/\$34.95 or 5/\$52.95. Scrambling News monthly \$29.95. Scrambling News Year One (176 pages) \$39.95. Everything listed here and more \$129.95. Includes all our information. Catalogs \$1.

Scrambling News, 1552 Herfel Ave., #123
Buffalo, NY, 14216. Voice/Fax (716) 874-2088
COD'S ARE OK. ADD \$6

SATELLITE TV

FREE catalog — Lowest prices worldwide. Satisfaction guarantee on everything sold — systems, upgrades, parts, all major brands factory fresh and warrantied. **SKYVISION, 1012 Frontier, Fergus Falls, MN 56537. 1 (800) 334-6455. Outside US (218) 739-5231.**

VIDEOCYpher II descrambling manual. Schematics, video and audio. Explains DES, Eprom, CloneMaster, Pay-per-view (HBO, Cinemax, Showtime, Adult, etc.) \$16.95, \$2.00 postage. Schematics for Videocypher II Plus, \$20.00. Schematics for Videocypher II 032, \$15.00. Software to copy and alter Eprom codes, \$25.00. VCI Plus Eprom, binary and source code, \$30.00. **CABLETRONICS, Box 30502R, Bethesda, MD 20824.**

"NEW & IMPROVED" Cable TV Universal Descramble Kit

\$69.00

Works with all systems
Call Toll Free **1-800-886-8699**

Invest a stamp



Save a bundle

For the price of a stamp, you can get the latest edition of the federal government's free **Consumer Information Catalog** listing more than 200 free or low-cost government publications on topics such as federal benefits, jobs, health, housing, education, cars, and much more. Our booklets will help you save money, make money, and spend it a little more wisely.

So stamp out ignorance, and write today for the latest free **Catalog**. Send your name and address to:

**Consumer Information Center
Department SB
Pueblo, Colorado 81009**

A public service of this publication and the Consumer Information Center of the U.S. General Services Administration.

MCM ELECTRONICS CONQUERS YOUR GIANT PARTS PROBLEMS.

Not having the right part when you need it can often turn into a giant problem. But with a selection of over 20,000 electronic parts and assemblies ready to ship within 24 hours, MCM can cut your parts problems down to size, just like David brought down Goliath. For VCR parts, TV components, connectors, semiconductors, test equipment, tools, chemicals and more, you'll find an enormous selection, including many top name brands and hard-to-find items. And if you're ever faced with a big technical problem, call our Toll-Free Technical Assistance Line at 1-800-824-TECH(8324).



**FOR A FREE
CATALOG,
CALL TOLL-FREE
1-800-543-4330**

**FAX
1-513-434-6959**



**Get fast delivery from our
Distribution Facilities in
Dayton, OH and Reno, NV!**



MCM ELECTRONICS
650 CONGRESS PARK DR.
CENTERSVILLE, OH 45459-4072
A PREMIER Company




Source No. EN-87


DO-IT-YOURSELF ELECTRONIC KITS
FREE CATALOG AVAILABLE
 Call 213/888-8988 Fax 213/888-6868
Mark V Electronics, Inc.
 8019 E. Slauson Ave., Montebello, CA 90640

▲ Beginner ▲▲ Intermediate ▲▲▲ Advanced ▲▲


REGULATED DC POWER SUPPLY TR-503 ▲▲

It is short circuit proof and has overload protection. Output voltage is variable over a range of 0-50 volts. Current limit trip is adjustable up to max of 3A. May use Mark V # 002 transformer.

 Kit: \$ 17.75

120W MOSFET POWER MONO AMP. TA-477 ▲▲

120W into 8 ohms RMS. THD: < 0.007%. Frequency Response: 8 HZ-20 KHZ +0-0.4 dB. 2.8 HZ-65 KHZ, +0-3 dB. Sensitivity: 1V. Power Requirement: 55V DC @ 3A. May use Mark V Model # 003 or # 012 transformer.

 Kit: \$ 68.00

300W HIGH POWER MONO AMP. TA-3600 ▲▲▲

300W into 8 ohms RMS. Frequency Response: 10 HZ-20 KHZ. THD: < 0.05%. Sensitivity: 1V rms at 47K. Power Requirement: 60-75V DC at 8A. May use Mark V Model # 007 or # 009 transformer.

 Kit: \$ 85.00

30W+30W PRE & MAIN STEREO AMP. TA-323A ▲

30W into 8 ohms RMS per channel. THD: < 0.1% from 100 HZ-10KHZ. Phono 3mV @ 47K. Tuner, Tape 130mV @ 47K. Power Requirement: 22-36V AC, 3A. May use Mark V Model # 002 transformer.

 Kit: \$ 29.50

METAL CABINETS POWER TRANSFORMERS

LG-1273 3X12X7"	\$ 23.85	#001 28/30VX2 6A	\$28.00
LG-1884 4X16X8"	28.50	#002 36VX2 3A	23.00
LG-1924 4X19X11 1/2"	34.50	#003 40VX2 6A	30.00
LG-1926 5X19X11 1/2"	38.00	#004 24VX2 6A	23.00
LG-1983 2 1/2 X 19 X 8"	32.50	#005 28VX2 3A	17.00
		#006 18VX2 5A	17.00
		#007 53VX2 8A	45.00
		#008* 42/53VX2 8A	66.00
		#012* 24/42VX2 6A	45.00

Cabinet
 *Toroidal Transformer

Minimum order \$20.00. We accept Visa, MasterCard, Money orders and Checks. Please call for shipping charges. Quantity discounts available.

ORDER 1-800-521-MARK/1-800-423-FIVE

CIRCLE 93 ON FREE INFORMATION CARD

SEND ORDERS TO:
ELECTRONIC GOLDMINE
 P.O. Box 5408
 Scottsdale, AZ 85261
 Minimum Order: \$10.00 plus \$4.00 Shipping and Handling. We accept MasterCard, Visa and Money orders.

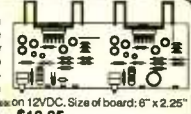
PHONE ORDERS (602) 451-7454 • FAX ORDERS (602) 451-9495

<p>HSE# NPN TRANSISTOR</p> <p>Similar to the popular 2N3904 transistors these have long leads and are marked with a house#, T092 plastic case. Prime.</p> <p>G3713 30/\$1.00 500/\$14.00</p>	<p>BURNS 3500S 10K 10 TURN WIREWOUND POTENTIOMETER</p> <p>Precision 10 turn 1/4" diameter sealed blue case 10K potentiometer features standard 1/4" bushing and nut for panel mounting. Power rating 2 watts, and linearity ± 2%. These are prime brand new units worth over \$30.00 each.</p> <p>G3714 \$3.00</p>
--	--

20W X 20W STEREO AMP KIT

Two separate high power amps on one PC board put out an incredible 20 watts RMS each. Features low distortion circuitry. Great stereo booster amp for your car sound system. Use with any speakers capable of handling at least 20 watts. Operation on 12VDC. Size of board: 6" x 2.25"

C6442 \$19.95



4" ROUND SOLAR CELL

Produces over 1 amp at 1/2 volt. Silicon type with solder tabs.

G2308 \$7.50



<p>HP HLMP-1340 "RED" ULTRABRIGHT T1 LED</p> <p>Crystal clear case small T1 LED made by Hewlett Packard lights up a brilliant RED. Long leads prime HP quality.</p> <p>G3712 10/\$1.00 500/\$45.00 1000/\$85.00</p>	<p>HP HLMP-1540 "GREEN" ULTRABRIGHT T1 LED</p> <p>Crystal clear case small T1 LED made by Hewlett Packard lights up a brilliant GREEN. Long leads prime HP quality.</p> <p>G3711 8/\$1.00 500/\$50.00 1000/\$90.00</p>
--	---

SOLAR LANTERN

Small white light fluorescent lantern which has a built in solar panel that was to recharge 3 AA nicad batteries after at least a week of exposure to the sun. These units are complete except the manufacturer never installed the nicada. Simply snap off the battery cover and install your own nicada or regular AA batteries. These may have slight scratches or molding imperfections and are sold "As Is" only. Complete except for batteries.

G2961 \$7.00



CIRCLE 125 ON FREE INFORMATION CARD

ADVERTISING INDEX

Electronics Now does not assume any responsibility for errors that may appear in the index below.

Free Information Number Page

108	AMC Sales	83
107	All Electronics	104
—	Amazing Concepts	97
186	American Reliance Inc.	70
77,187	B&K Precision	2, 23
109	C & S Sales	76
—	CIE	37
—	CLAGGK Inc. Video Offer	29
182	Cable Warehouse	93
110	Chenesko Products	70
—	Command Productions	11
58	Cooks	30
—	Copyright Clearance Ctr, Inc.	30
127	Deco Industries	70
—	Elec. Industry Association	32
125	Electronic Goldmine	106
—	Electronic Tech Today	60, 82
—	Electronics Book Club	7
—	Electronics Engineers B.C.	88
121	Fluke Corporation	CV2
—	Grantham College	25
86	Heathkit	95
176	Howard W. Sams & Co.	21
—	ICS Computer Training	52, 95
—	ISCET	93
178	Interactive Image Tech	13
114	Jameco	103
179	Kelvin	9
192	Kepco Inc.	70
—	McGraw Hill CES	31
87	MCM Electronics	105
93	Mark V. Electronics	106
183,184	Mini-Circuits	1, CV4
117	Mouser	87
—	NRI Schools	19, 73
181	Optoelectronics	5
56	Parts Express	104
—	Star Circuits	70
185	Superior Electronics Supply	102
92	Tektronix	14
180	The School of VCR Repair	87
105	WPT Publications	28
189	Wintek	100
—	World College	27
177	Xandi Electronics	70
191	Zentek Corp.	102

Gernsback Publications, Inc.
 500-B Bi-County Blvd.
 Farmingdale, NY 11735
 1-(516) 293-3000
Larry Steckler, EHF/CET
 President

Christina Estrada
 assistant to the President

For Advertising ONLY
516-293-3000
Fax 1-516-293-3115

Larry Steckler
 publisher

Arline Fishman
 advertising director

Denise Mullen
 advertising assistant

Kelly Twist
 credit manager

Subscriber Customer Service
 1-800-288-0652

Order Entry for New Subscribers
 1-800-999-7139
 7:00 AM - 6:00 PM M-F MST

ADVERTISING SALES OFFICES

EAST/SOUTHEAST

Stanley Levitan
 Eastern Advertising
 1 Overlook Ave.
 Great Neck, NY 11021
 1-516-487-9357
 Fax 1-516-487-8402

MIDWEST/Texas/Arkansas/Okla.

Ralph Bergen
 Midwest Advertising
 One Northfield Plaza, Suite 300
 Northfield, IL 60093-1214
 1-708-446-1444
 Fax 1-708-559-0562

PACIFIC COAST

Blake Murphy
 Pacific Advertising
 Pattis/3M
 1800 North Highland Avenue
 Suite 717
 Hollywood, CA 90028
 1-213-462-2700
 FAX 1-213-463-0544

Electronic Shopper
Joe Shere
 National Representative
 P.O. Box 169
 Idyllwild, CA 92549
 1-909-659-9743
 Fax 1-909-659-2469

Enter A World Of Excitement with a Subscription to

Popular Electronics®

Get the latest electronic technology and information monthly!

Now you can subscribe to the magazine that plugs you into the exciting world of electronics. With every issue of Popular Electronics you'll find a wide variety of electronics projects you can build and enjoy.

Popular Electronics brings you informative new product and literature listings, feature articles on test equipment and tools—all designed to keep you tuned in to the latest developments in electronics. So if you love to build fascinating electronics, just fill out the subscription form below to subscribe to Popular Electronics... It's a power-house of fun for the electronics enthusiast.

EXCITING MONTHLY FEATURES LIKE:

- CONSTRUCTION**—Building projects from crystal sets to electronic roulette
- FEATURES**—Educational training on digital electronics, Ohm's Law, Antennas, Communications, Antique Radio, Simplified Theory
- HANDS-ON-REPORTS**—User test comments on new and unusual consumer products
- SPECIAL COLUMNS**—Think Tank, Circuit Circus, Computer Bits, DX Listening, Antique Radio, Amateur, Scanner Scene

PLUS: ALL OUR GREAT DEPARTMENTS!

You'll get 12 exciting and informative issues of Popular Electronics for only \$18.95. That's a savings of \$23.05 off the regular single copy price. Subscribe to Popular Electronics today! Just fill out the subscription order form below.

THE FIRST SMART VEHICLES ARE HERE 48784

Popular Electronics®

JANUARY 1994

BUILD A DIGITAL BAROMETER
Be your own weatherman with this easy-to-build forecasting aid

BUILD AN ANEMOMETER
Add this simple-but-accurate wind-speed measuring device to your weather-forecasting arsenal

BUILD A RELATIVE-HUMIDITY GAUGE
Check the humidity at a glance with this digital instrument

COLLISION AND OBSTACLE WARNING SYSTEM FOR YOUR CAR



THE ROBIX ROBOTICS CONSTRUCTION SET
A great learning tool that's lots of fun to build and use

Save **55%** Off The Regular NEWSSTAND Rate

General Page Party

THE GIZMO BUYER'S GUIDE

\$3.50 U.S.
\$3.95 CANADA



FOR FASTER SERVICE CALL TODAY

1-800-827-0383

(7:30AM-8:30PM)

EASTERN STANDARD TIME

Popular Electronics® SUBSCRIPTION ORDER FORM AREDA

P.O. Box 338, Mt. Morris IL. 61054

YES! I want to subscribe to Popular Electronics for 1 Full year (12 Issues) for only \$18.95. That's a savings of \$23.05 off the newstand price.

(Basic Subscription Rate—1 yr/\$21.95)

Payment Enclosed Bill me later

Please charge my: Visa Mastercard

Acct. #

Signature _____

Exp. Date _____

PLEASE PRINT BELOW:

NAME _____

ADDRESS _____

CITY _____

STATE _____

ZIP _____

Allow 6 to 8 weeks for delivery of first issue. U.S. Funds only.

In Canada add \$6.95 Postage (Includes G.S.T.) All Other Foreign add \$7.50 Postage

DC-2000 MHz AMPLIFIERS

In plastic and ceramic packages, for low-cost solutions to dozens of application requirements, select Mini-Circuits' flatpack or surface-mount wideband monolithic amplifiers. For example, cascade three MAR-2 monolithic amplifiers and end up with a 25dB gain, 0.3 to 2000MHz amplifier for less than \$4.50. Design values and circuit board layout available on request.

It's just as easy to create an amplifier that meets other specific needs, whether it be low noise, high gain, or medium power. Select from Mini-Circuits' wide assortment of models (see Chart), sketch a simple interconnect layout, and the design is done. Each model is characterized with S parameter data included in our 740-page RF/IF Designers' Handbook.

All Mini-Circuits' amplifiers feature light unit-to-unit repeatability, high reliability, a one-year guarantee, tape and reel packaging, off-the-shelf availability, with prices starting at 99 cents.

Mini-Circuits' monolithic amplifiers...for innovative do-it-yourself problem solvers.



Models above shown actual size

from **99¢** Unit price \$ (25 qty)

PLASTIC SURFACE-MOUNT					++VAM-3	+VAM-6	++VAM-7		
					1.45	1.29	1.75		
add suffix SM to model no. (ex. MAR-ISM).	MAR-1	MAR-2	MAR-3	MAR-4	MAR-6	MAR-7	MAR-8		
	1.04	1.40	1.50	1.60	1.34	1.80	1.75		
	MAV-1	++MAV-2	++MAV-3	MAV-4					
	1.15	1.45	1.55	1.65					
CERAMIC SURFACE-MOUNT	RAM-1	RAM-2	RAM-3	RAM-4	RAM-6	RAM-7	RAM-8		
	4.95	4.95	4.95	4.95	4.95	4.95	4.95		
PLASTIC FLAT-PACK	MAV-1	++MAV-2	++MAV-3	++MAV-4					
	1.10	1.40	1.50	1.60					
	MAR-1	MAR-2	MAR-3	MAR-4	MAR-6	MAR-7	MAR-8		
	0.99	1.35	1.45	1.55	1.29	1.75	1.70		
Freq.MHz,DC to	1000	2000	2000	1000	2000	2000	1000	1000	
Gain, dB at 100MHz	18.5	12.5	12.5	8.3	20	13.5	32.5	12.7	
Output Pwr. +dBm	1.5	4.5	10.0	12.5	2.0	5.5	12.5	17.5	
NF, dB	5.5	6.5	6.0	6.5	3.0	5.0	3.3	3.6	

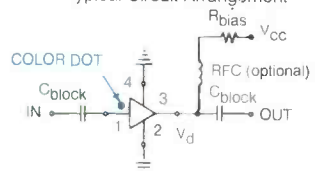
Notes: + Frequency range DC-1500MHz ++ Gain 1/2 dB less than shown

designer's kit, KH-1 available only \$59.95 includes:
40 AMPLIFIERS* 10 MAR-1, 10 MAR-3, 10 MAR-4, 10 MAR-8
150 CAPACITORS* 50 100 pf, 50 1,000 pf, 50 10,000 pf
740 page RF/IF DESIGNER'S HANDBOOK

- MIXERS • POWER SPLITTER/COMBINERS • AMPLIFIERS • ELECTRONIC ATTENUATORS
- I&O/QPSK MODULATORS • ATTENUATORS/TERMINATIONS • DIRECTIONAL COUPLERS
- RF TRANSFORMERS • DIGITAL ATTENUATORS • PHASE DETECTORS • SWITCHES/DRIVERS
- FILTERS • LIMITERS • FREQUENCY DOUBLERS

*values or models may be substituted without notice, depending on supplies.

Typical Circuit Arrangement



finding new ways ...
setting higher standards

Mini-Circuits™

WE ACCEPT AMERICAN EXPRESS AND VISA

P.O. Box 350166, Brooklyn, New York 11235-0003 (718) 934-4500 Fax (718) 332-4661

Distribution Centers NORTH AMERICA 800-654-7949 • 417-335-5935 Fax 417-335-5945 EUROPE 44-252-835094 Fax 44-252-837010